

Feet variations

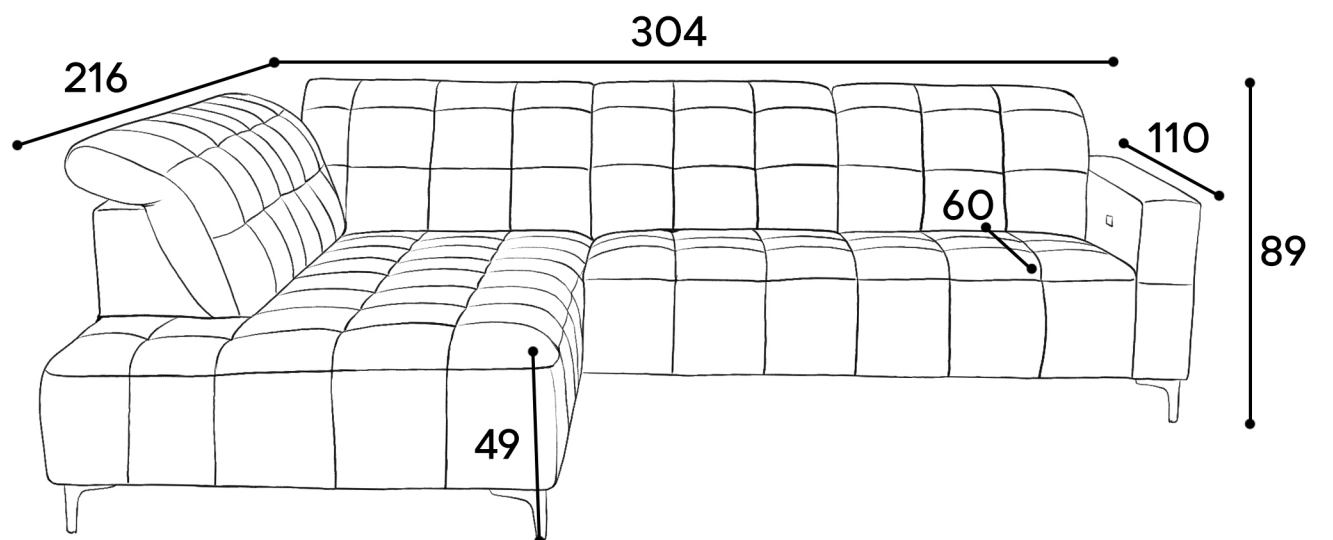


C 11 (13)



S 11 (13)

Functions



7633