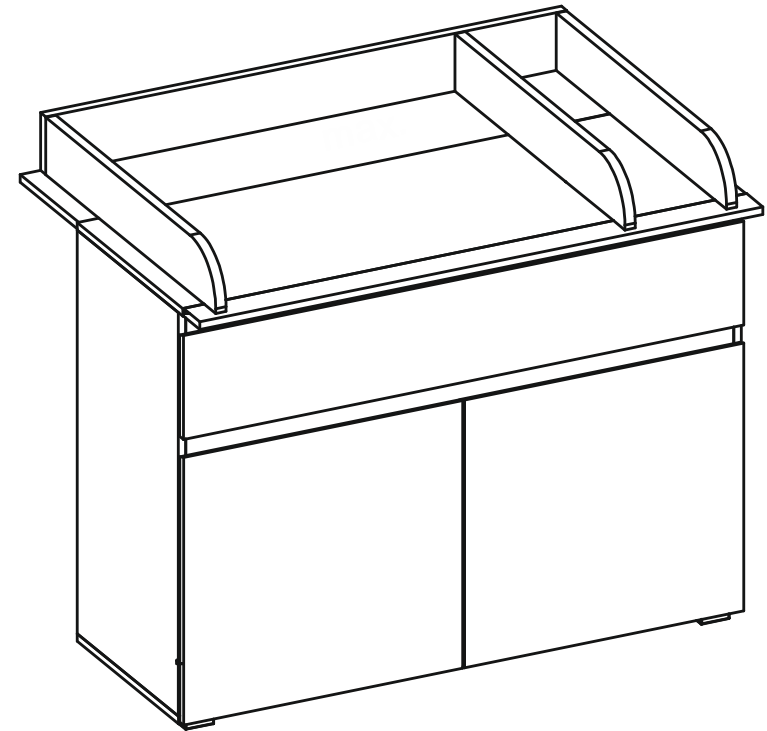




67A/033

Item Name	Image 67A Wickelkommode
Colors 1	white
Colors 2	
Colors 3	
Colors 4	
Colors 5	

		Finishing
Panels material 1	chipboard	melamine
Panels material 2		
Panels material 3		
Doors	chipboard	melamine
Handles material		
Legs material		
Mirror		
Glass		
Edges	ABS1, ABS-2, Paper	
Soft edges		
Wall fixing fittings	yes	
Extension		
Extension size (cm)		
Extension stored under the top		
Synchronized opening		
Top panel thickness (mm)		
Backrest (material)		
Seat (material)		
Frame (material)		





67A/033

