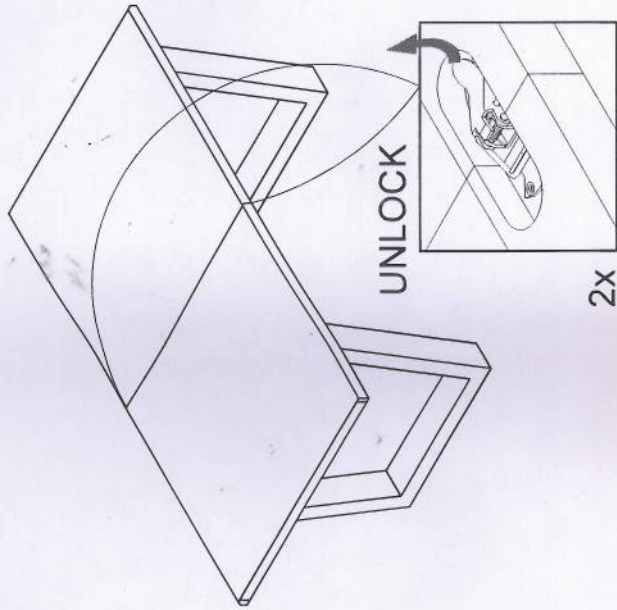
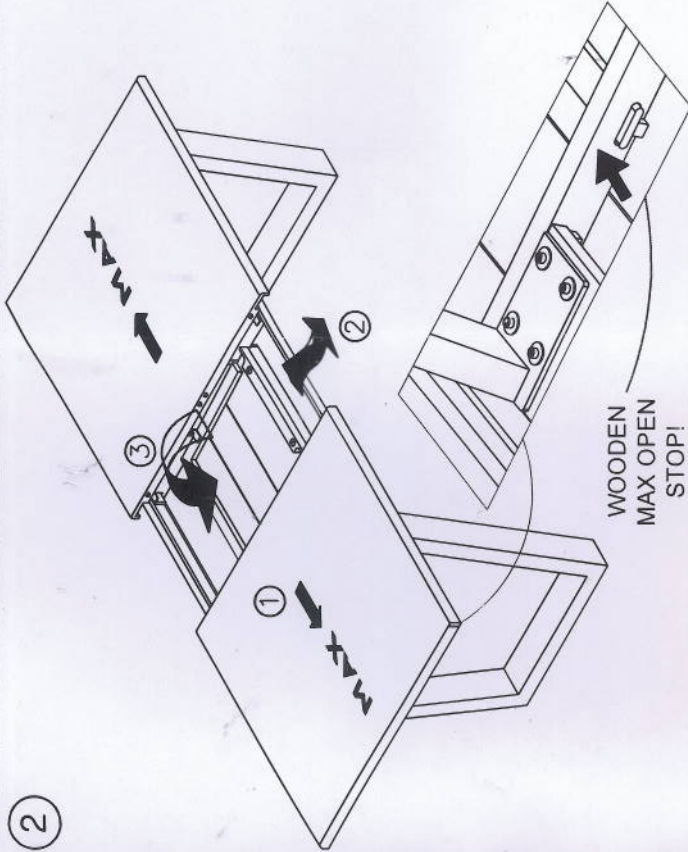


36192

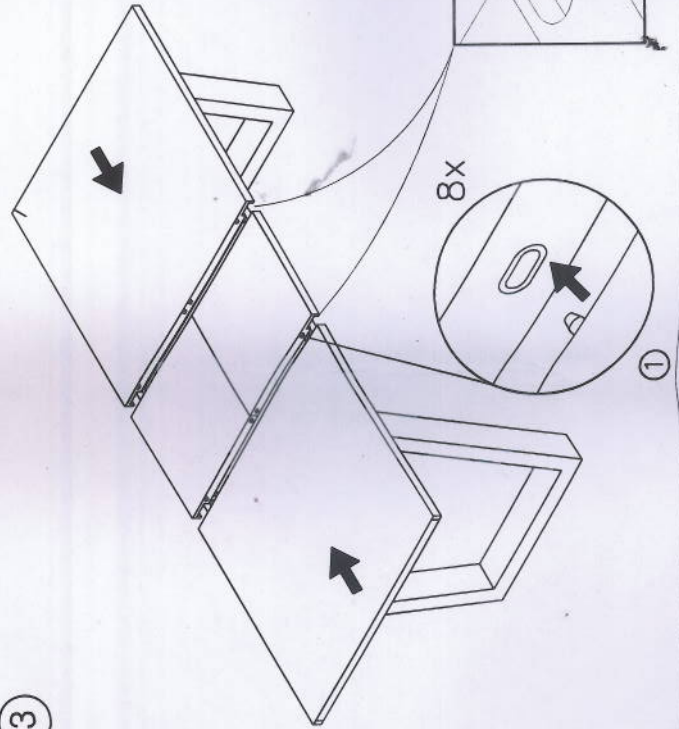
① USER MANUAL



②

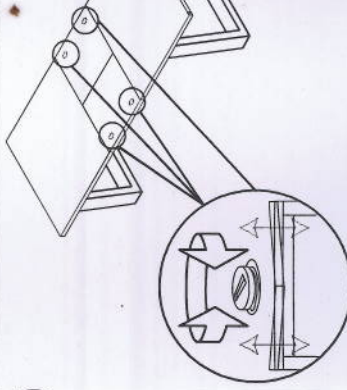
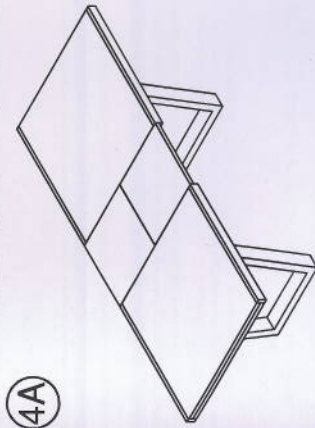


③

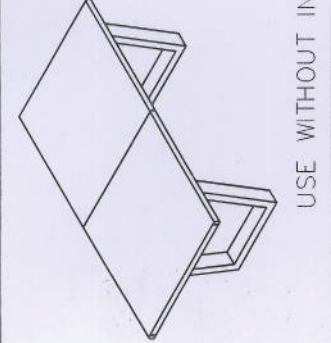


④A

④B



⑤



⑥

