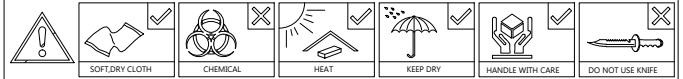
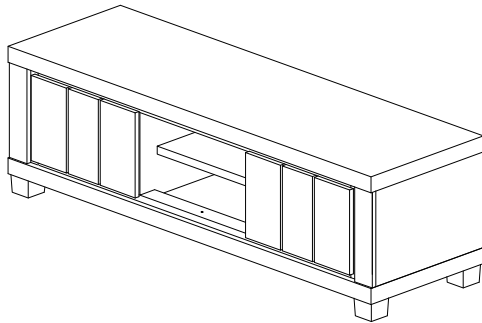




# ASSEMBLY INSTRUCTION

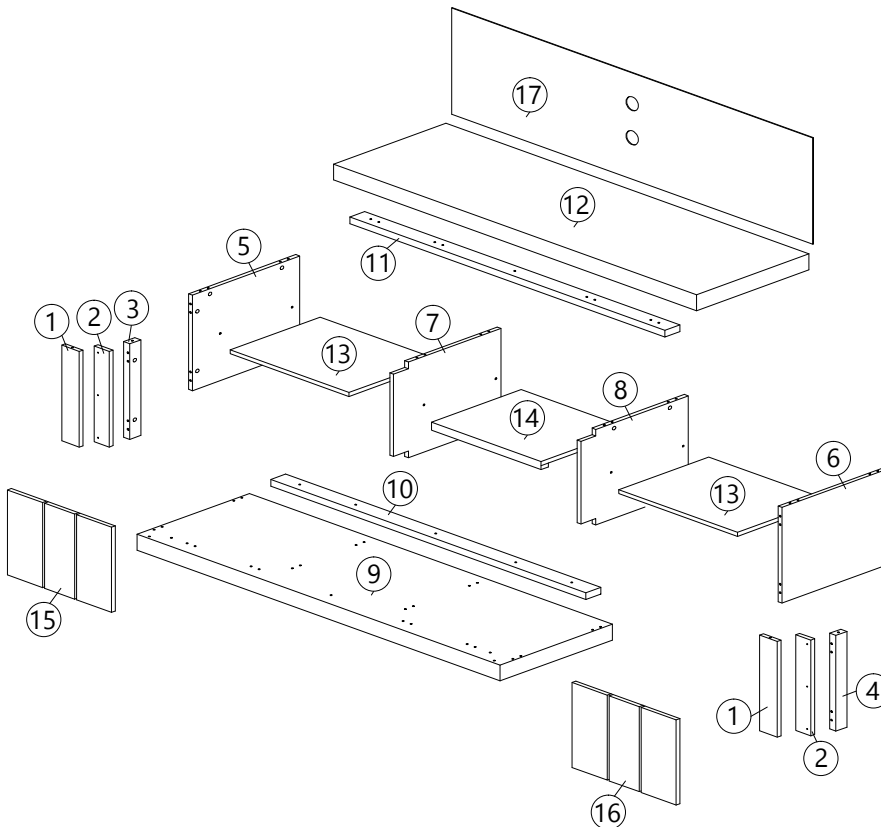
## EC 60144-S5V - EUREKA TV KAST / MEUBLETV / TV CABINET

~ Before assembly, please read the instructions ~  
~ Keep these instructions for future reference ~  
~ Follow these steps to assemble the product ~

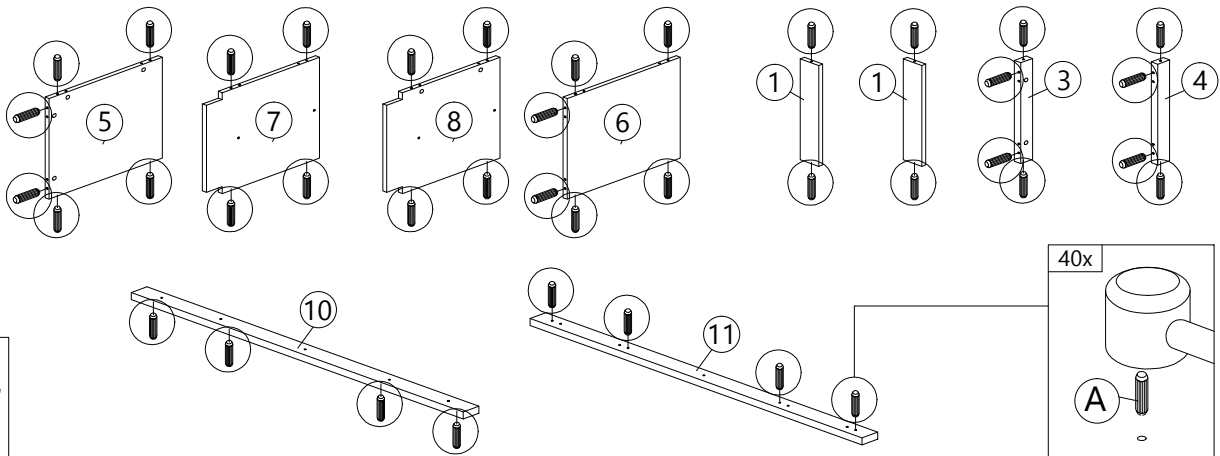



HARDWARE	<b>A</b>  PLASTIC DOWEL 8X25 40pcs	<b>B</b>  CB SCREW M3.5X16 24pcs	<b>C</b>  CB SCREW M4X30 6pcs	<b>D</b>  CB SCREW M4.5X45 12pcs	<b>E</b>  CSK CAP M6X50 10pcs	<b>F</b>  CSK CAP M6X70 8pcs	
	<b>G1</b>  MINIFIX 5654 (HOUSING) 16pcs	<b>G2</b>  MINIFIX 5654 (SCREW) 16pcs	<b>H</b>  PVC SHELF SUPPORT 12pcs	<b>I</b>  CAP 26pcs	<b>J1</b>  MAGNET WASHER 2pcs	<b>J2</b>  MAGNET SCREW 2pcs	<b>J3</b>  MAGNET PLATE 2pcs
	<b>J4</b>  PUSH MAGNET 2pcs	<b>K</b>  HINGES 5/8" 4sets	<b>L</b>  POWER NAIL 5/8" -BLACK 60pcs	<b>M</b>  SOFA LEG (H70mm) -BLACK 6pcs	<b>N</b>  ALLEN KEY 1pc	<b>O</b>  CB SCREW M4X25 10pcs	

### PART LIST

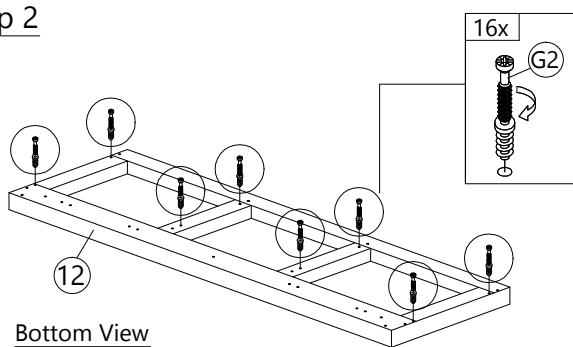


### Step 1

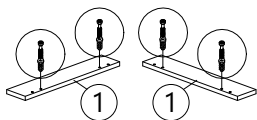


**A**  
  
 PLASTIC  
 DOWEL  
 8X25  
 40pcs

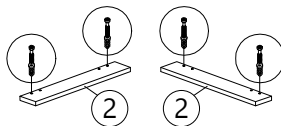
### Step 2



Bottom View

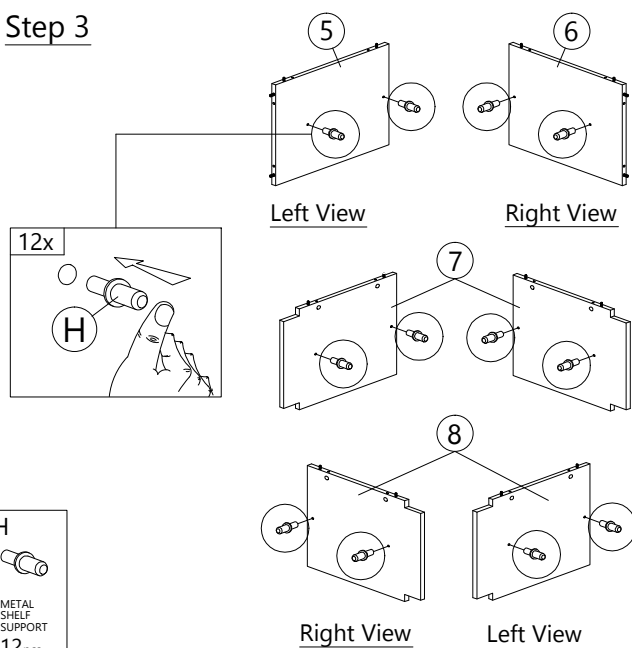


Inside View



**G2**  
  
 MINIFIX  
 5654  
 (SCREW)  
 16pcs

### Step 3




Left View

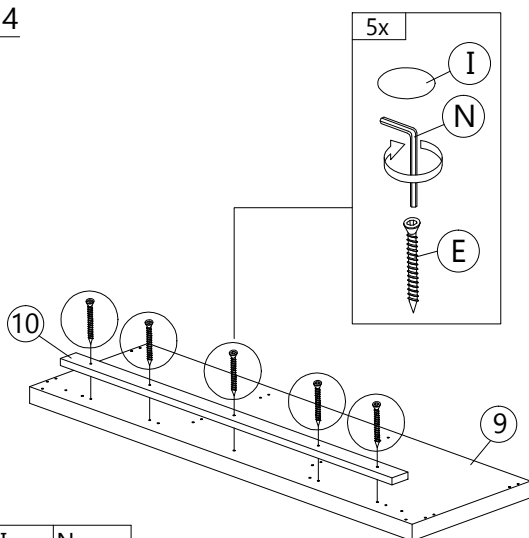
Right View

Right View

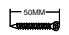
Left View


**H**  
  
 METAL  
 SHELF  
 SUPPORT  
 12pcs


### Step 4



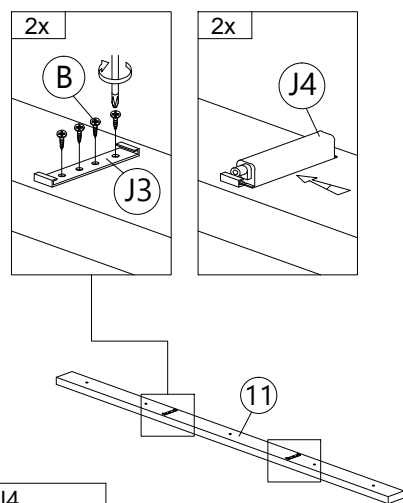
Top View

**E**  
  
 CSK CAP  
 M6X50  
 5pcs

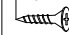
**I**  
  
 CAP  
 5pcs


**N**  
  
 ALLEN KEY  
 1pc


### Step 5



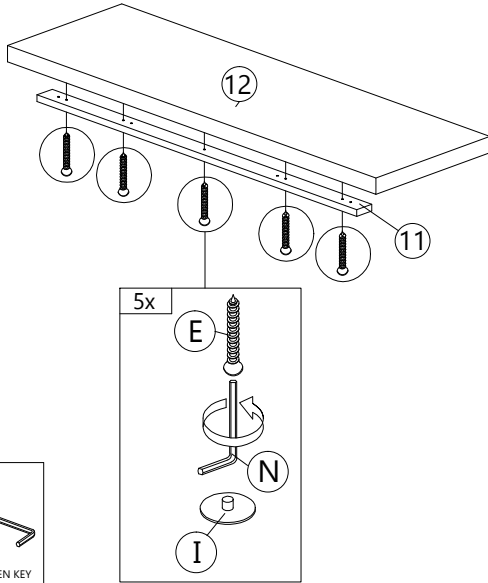
Bottom View

**B**  
  
 CB SCREW  
 M3.5X16  
 8pcs

**J3**  
  
 MAGNET PLATE  
 2pcs

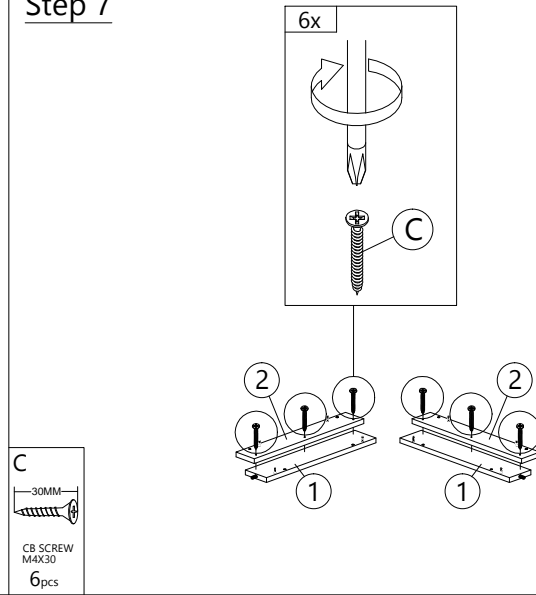
**J4**  
  
 PUSH MAGNET  
 2pcs

### Step 6



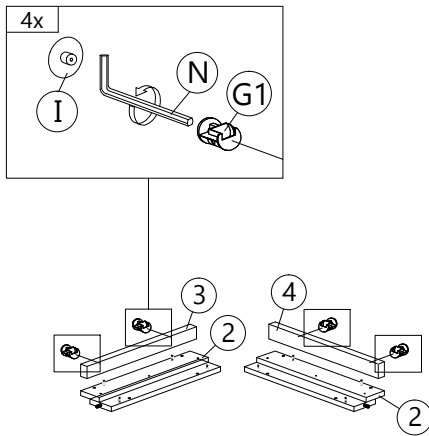
<b>E</b>	<b>I</b>	<b>N</b>
CSK CAP M6X50 5pcs	CAP 5pcs	ALLEN KEY 1pc

### Step 7



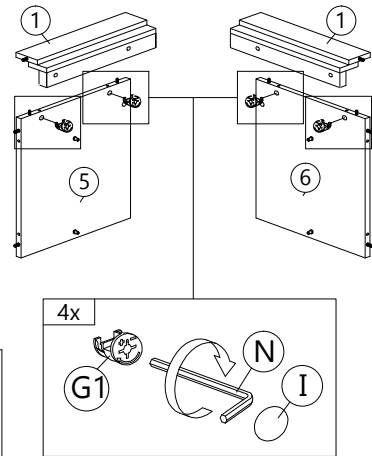
<b>C</b>
CB SCREW M4X30 6pcs

### Step 8



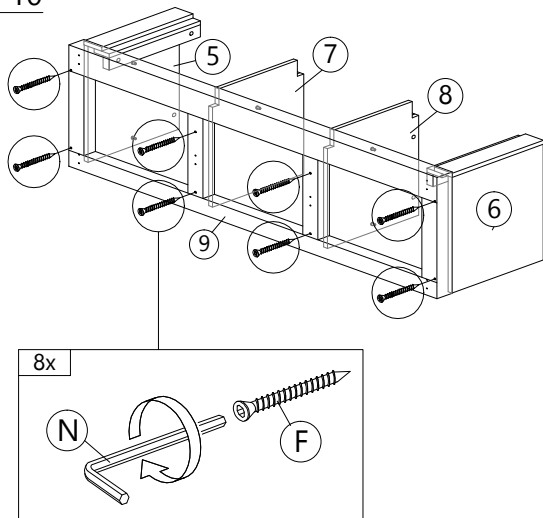
<b>G1</b>	<b>I</b>	<b>N</b>
MINIFIX 5654 (HOUSING) 4pcs	CAP 4pcs	ALLEN KEY 1pc

### Step 9



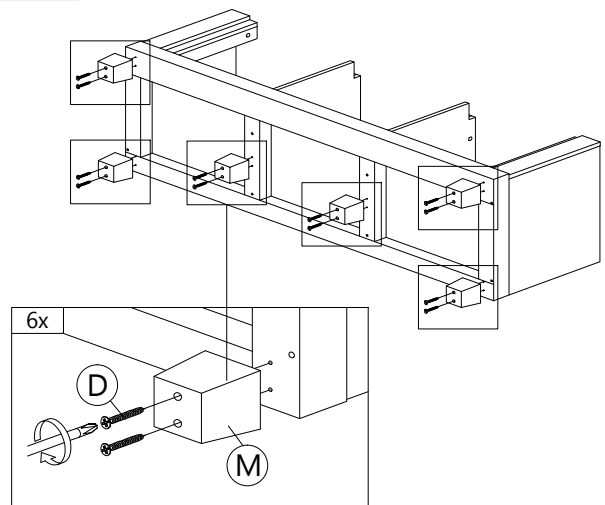
<b>G1</b>	<b>I</b>	<b>N</b>
MINIFIX 5654 (HOUSING) 4pcs	CAP 4pcs	ALLEN KEY 1pc

### Step 10



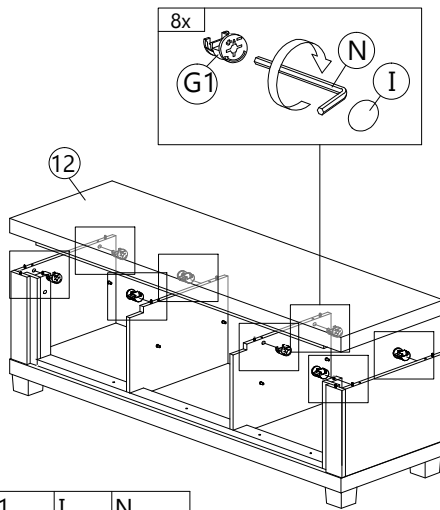
<b>F</b>	<b>N</b>
CSK CAP M6X70 8pcs	ALLEN KEY 1pc

### Step 11



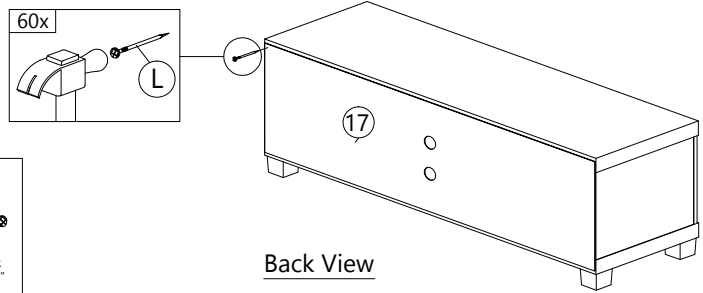
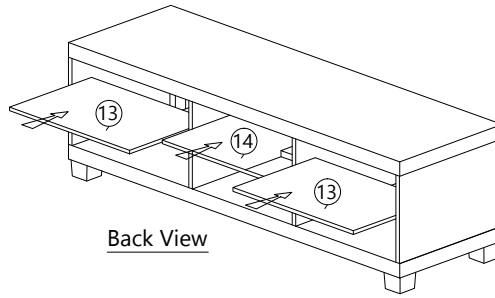
<b>D</b>	<b>M</b>
CB SCREW M4.5X45 12pcs	PVC SOFA LEG (H70MM) - BLACK 6pcs

### Step 12



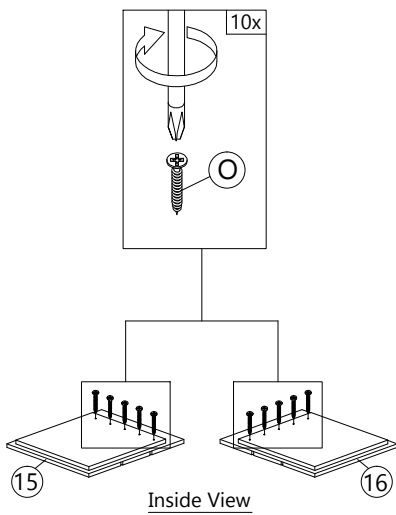
<b>G1</b>	<b>I</b>	<b>N</b>
8pcs	8pcs	1pc

### Step 13



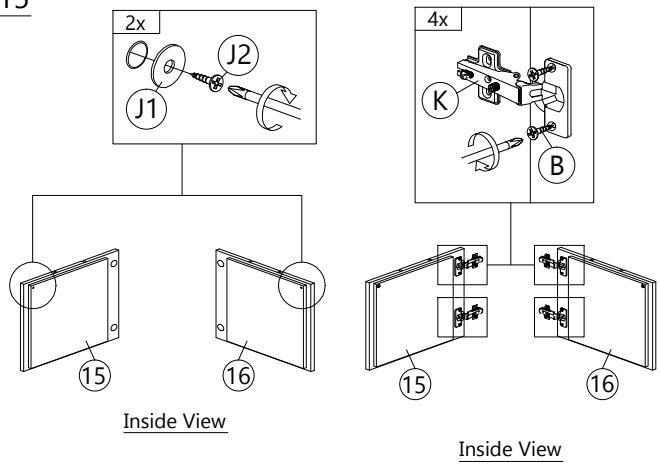
<b>L</b>
60pcs

### Step 14



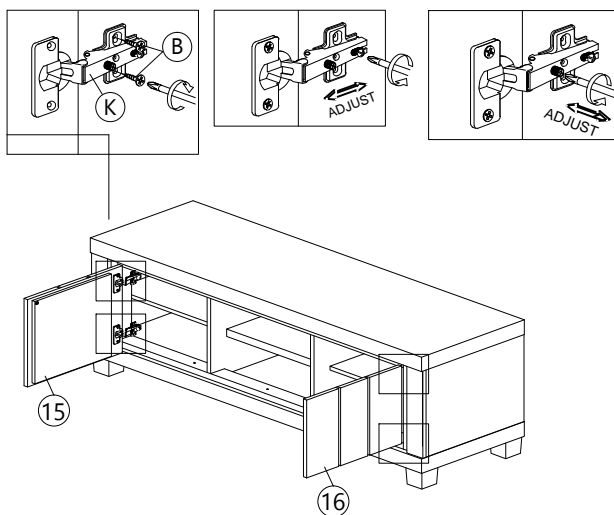
<b>O</b>
10pcs

### Step 15



<b>B</b>	<b>J1</b>	<b>J2</b>	<b>K</b>
8pcs	2pcs	2pcs	4pcs

### Step 16



<b>B</b>
8pcs

### Completed

