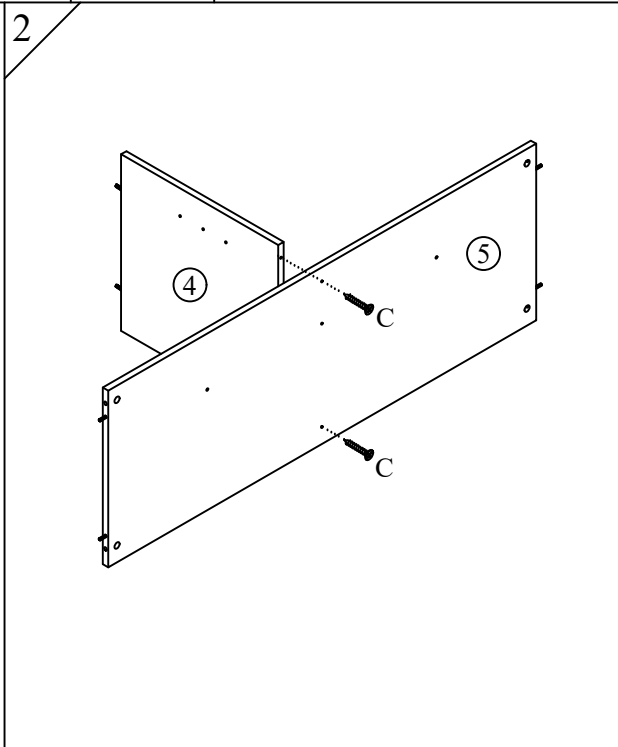
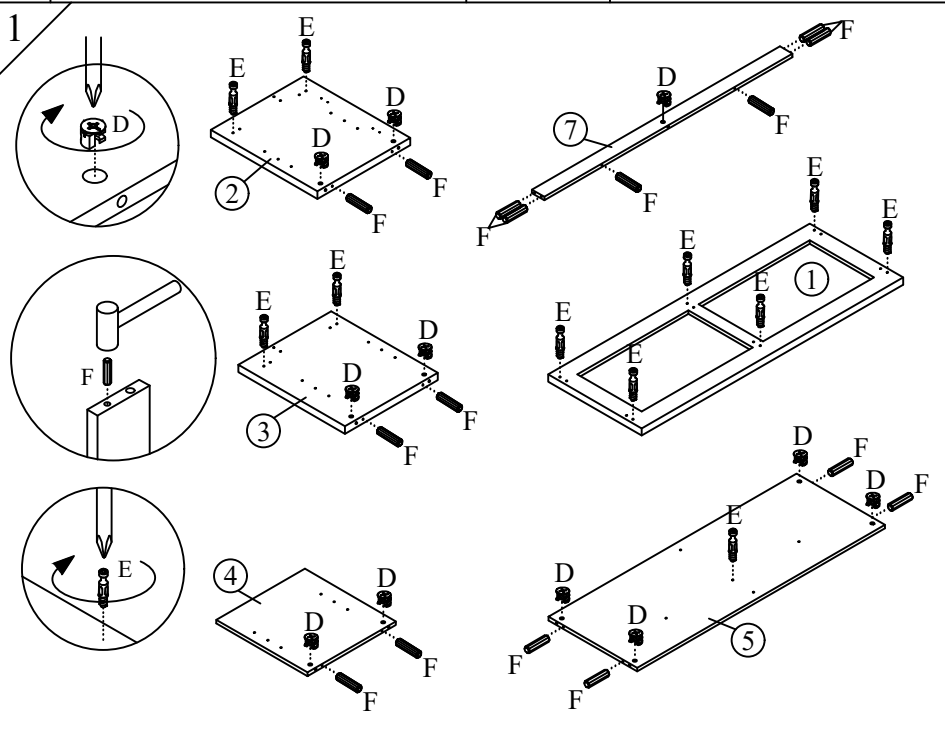
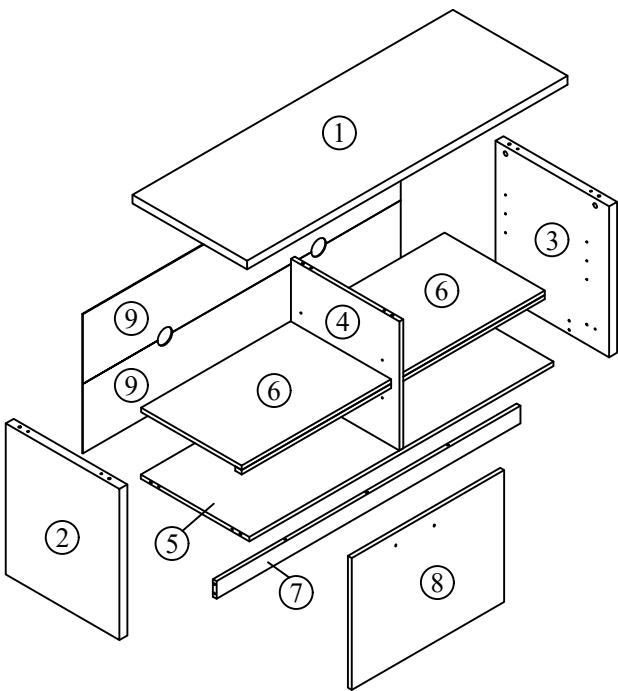
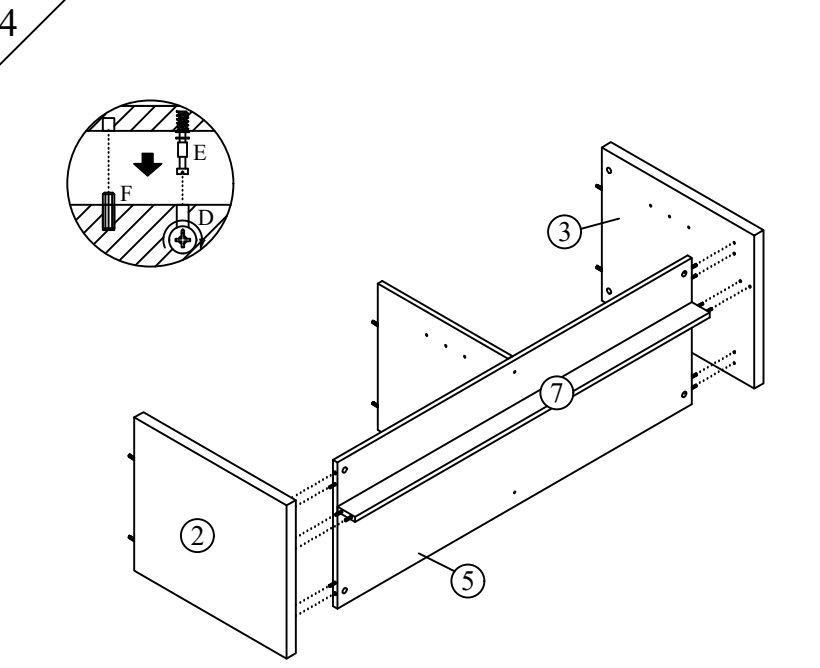
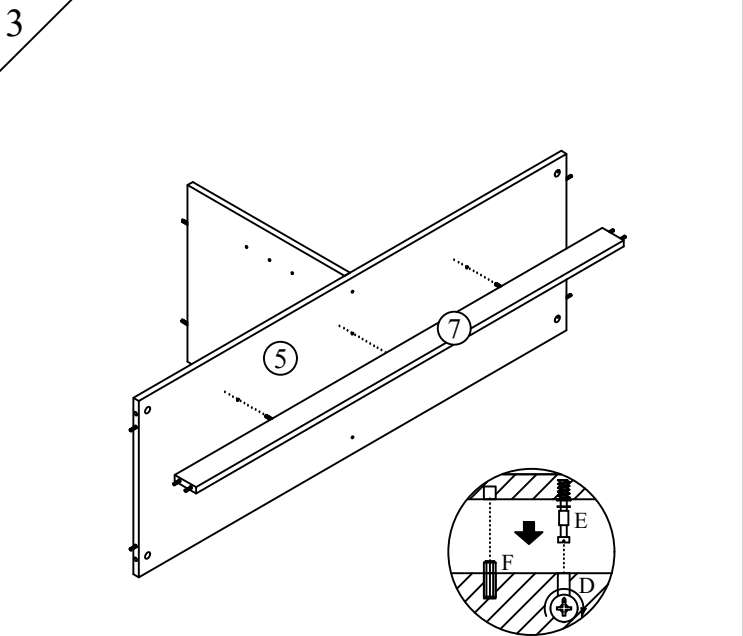


Model	DN TVC 128 041-IO	Issue Date	03 - 03 - 2022	Draw By	YN NG	Approved By / Date	
Form No	P13-RD-05-Rev01	Revision	TVC 1.0	Checked By	YN NG	Sheet	01 / 02
Description	Assembly Instructions						



A		CSK SCREW M3.5 x 16 mm	8
B		CSK SCREW M4 x 30 mm	2
C		CSK SCREW M4 x 45 mm	2
D		CAM NUT 15 mm	11
E		CAM BOLT	11
F		WOOD DOWEL M6 x 25 mm	16
G		METAL SHELF SUPPORT	8
H		PVC NAIL 5/8"	6
I		HINGES 7/8"	2
J		HANDLE OFY 180/160	1
K		NAIL	28



Model	DN TVC 128 041-IO	Issue Date	03 - 03 - 2022	Draw By	YN NG	Approved By / Date	
Form No	P13-RD-05-Rev01	Revision	TVC 1.0	Checked By	YN NG	Sheet	02 / 02
Description	Assembly Instructions						

