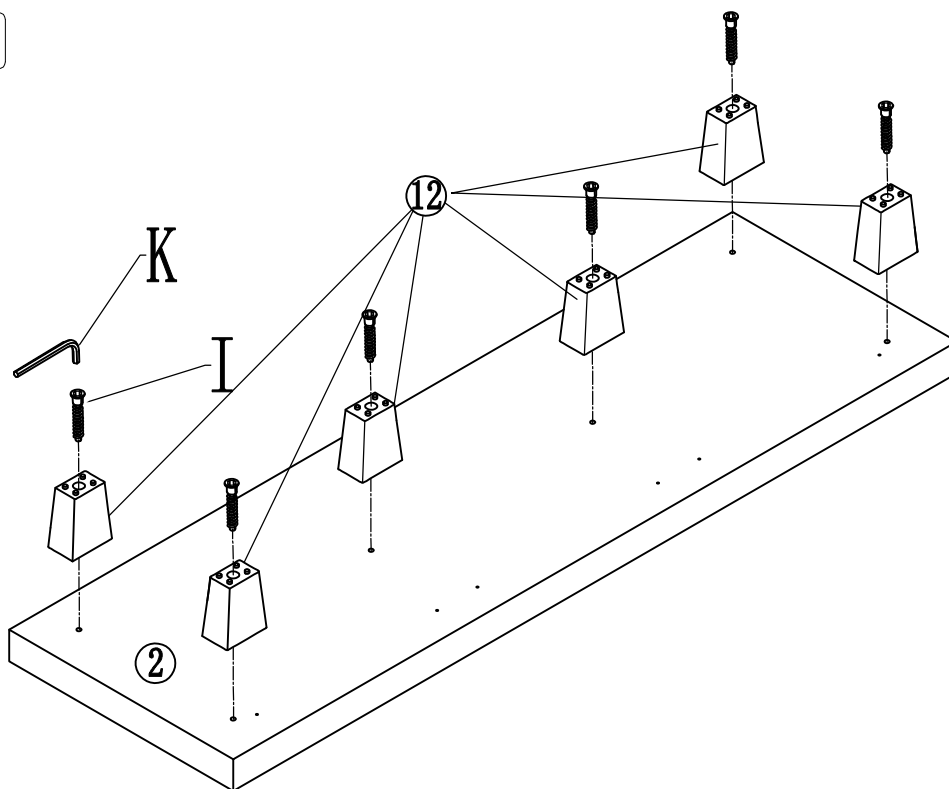




L	M	N	O
X 2	X 2	X 4	X 12

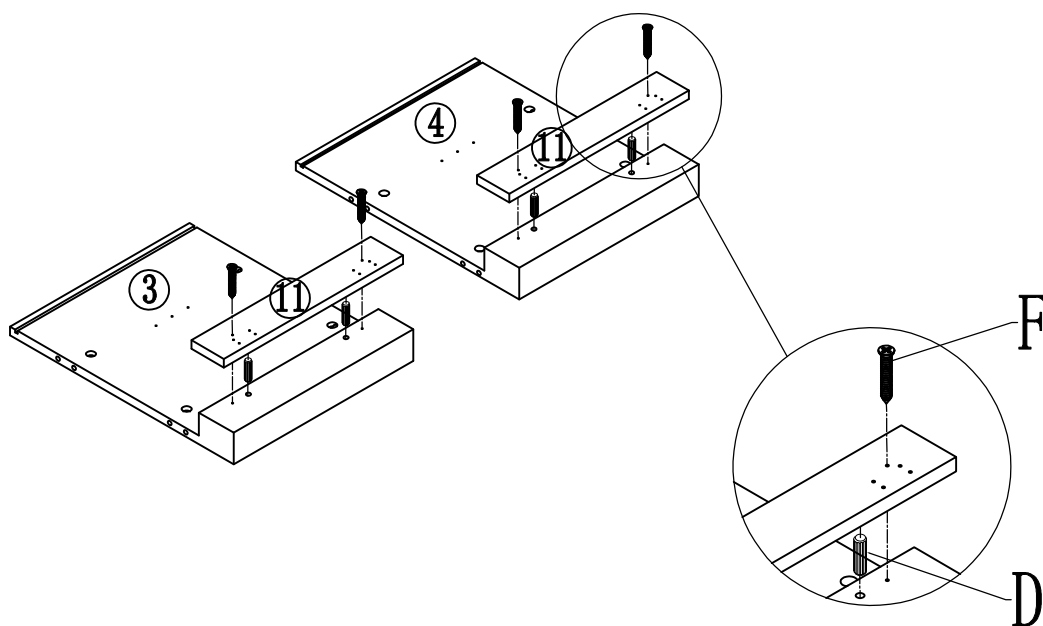
A	B	C	D	E	F	G	H	I	J	K
X 16	X 16	8*40 X 16	8*20 X 16	3.5*15 X 38	4*30 X 16	X 2	X 10	X 6	X 4	M4 X 1



1



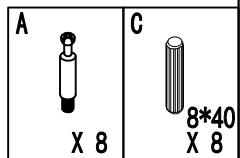
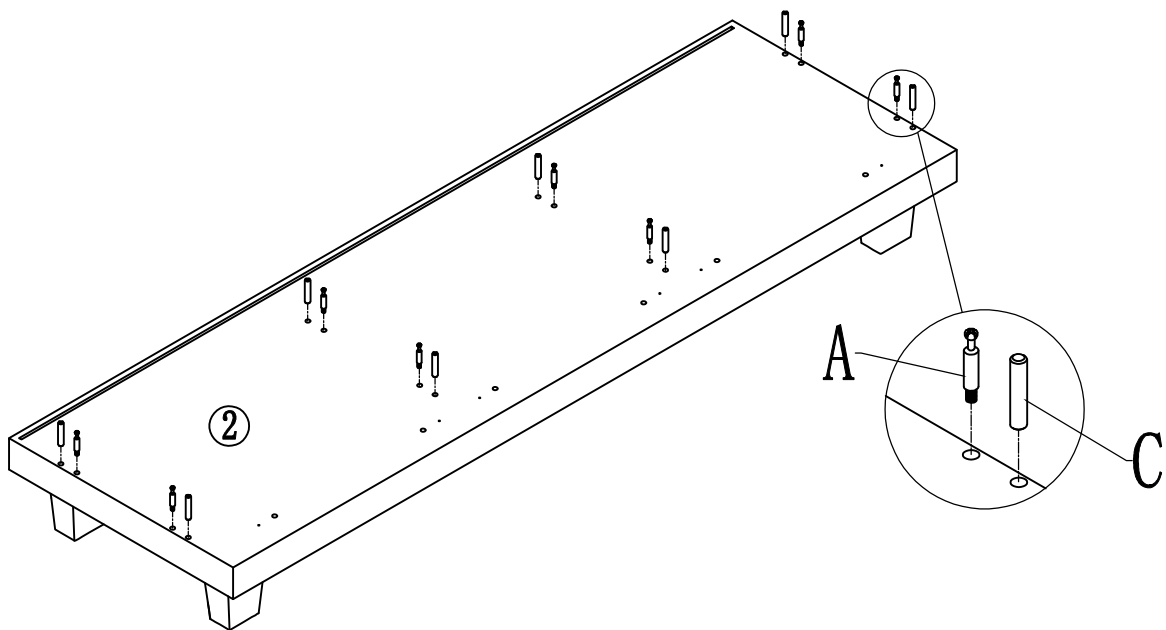
I	K
	
7*50 X 6	M4 X 1

2

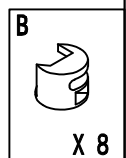
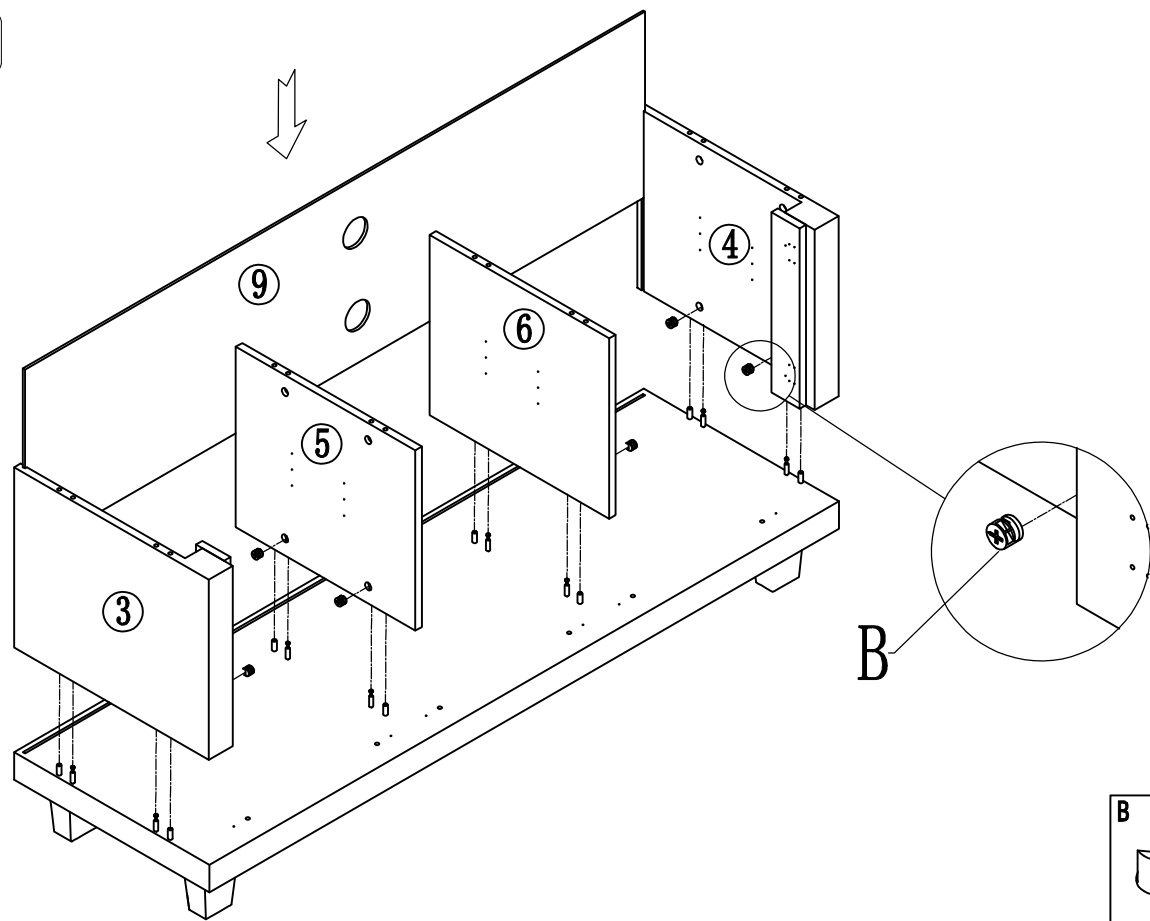


D	F
	
8*20 X 4	4*30 X 4

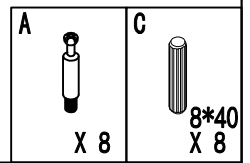
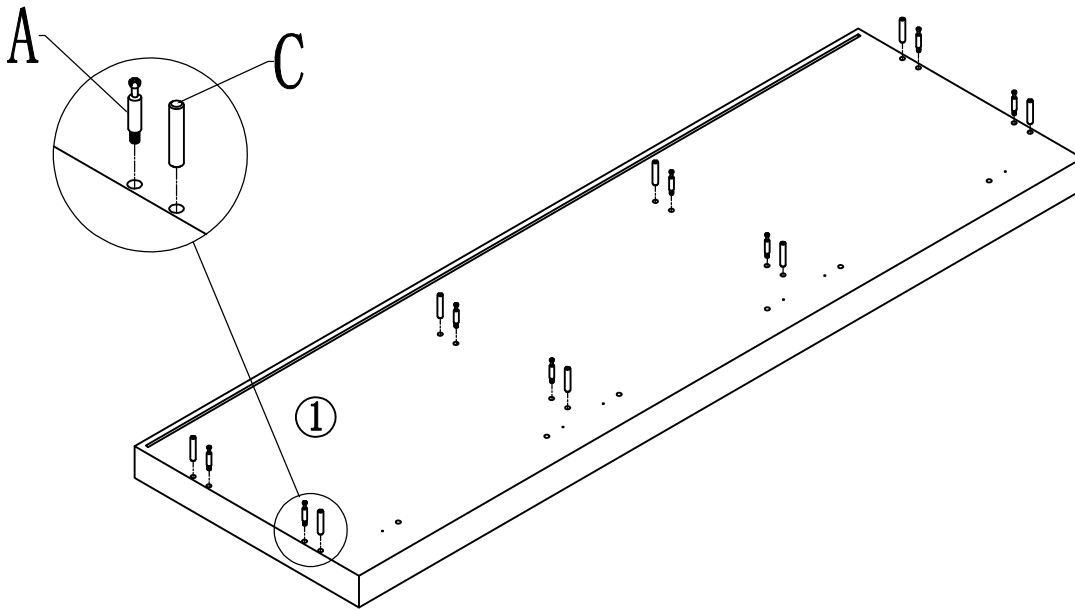
3



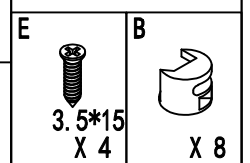
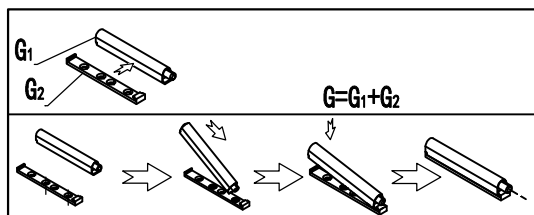
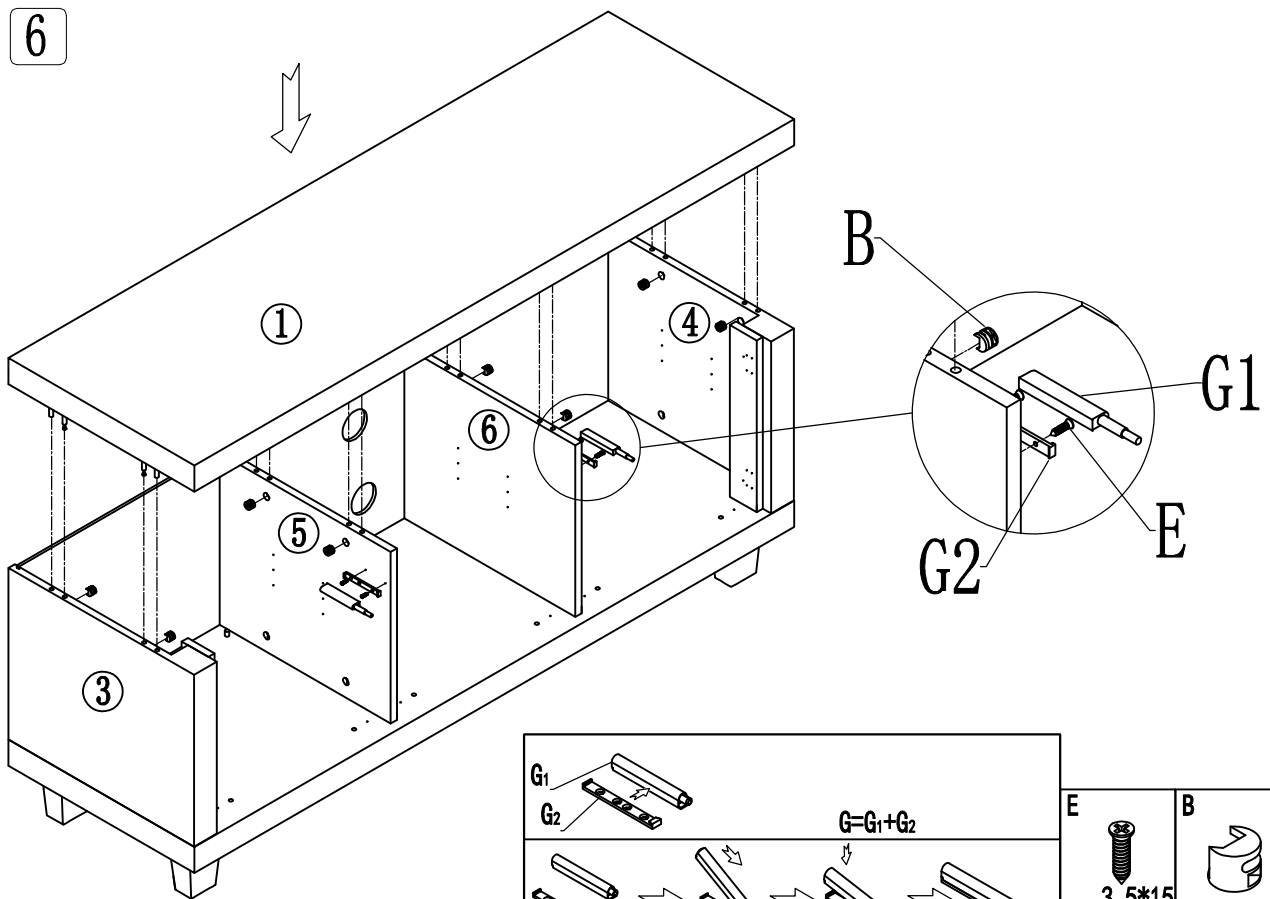
4



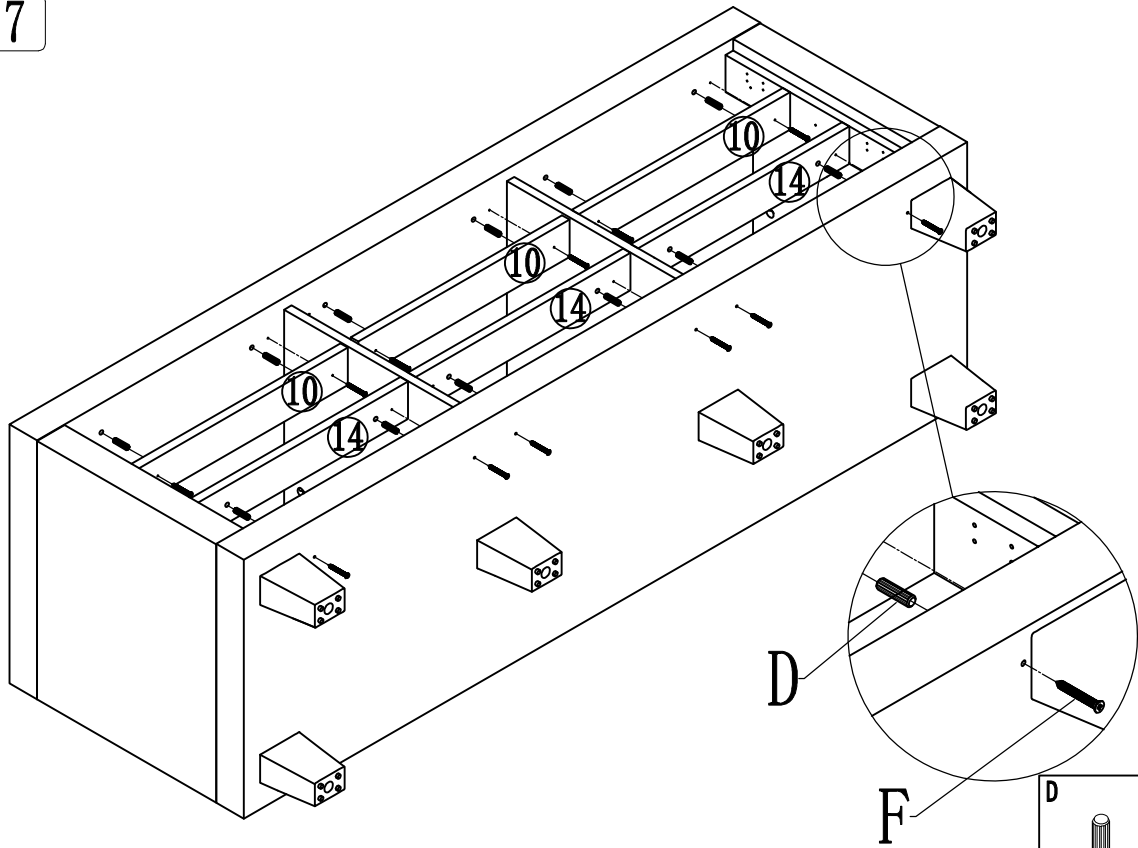
5





6

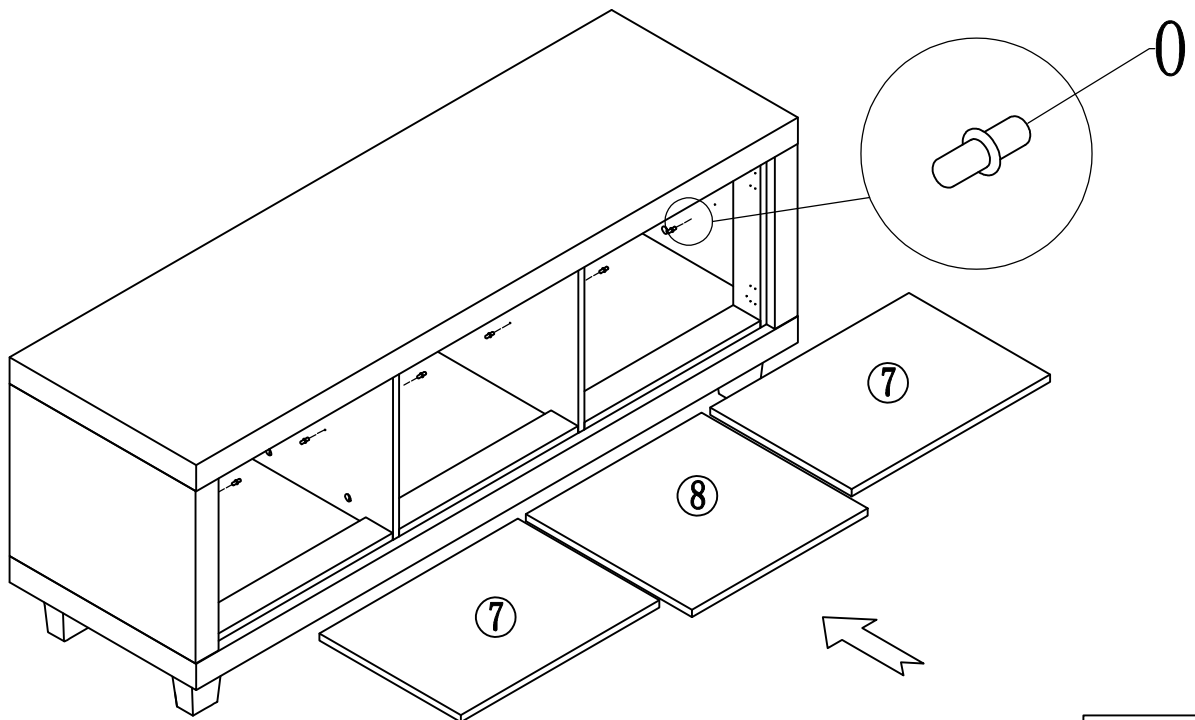



7



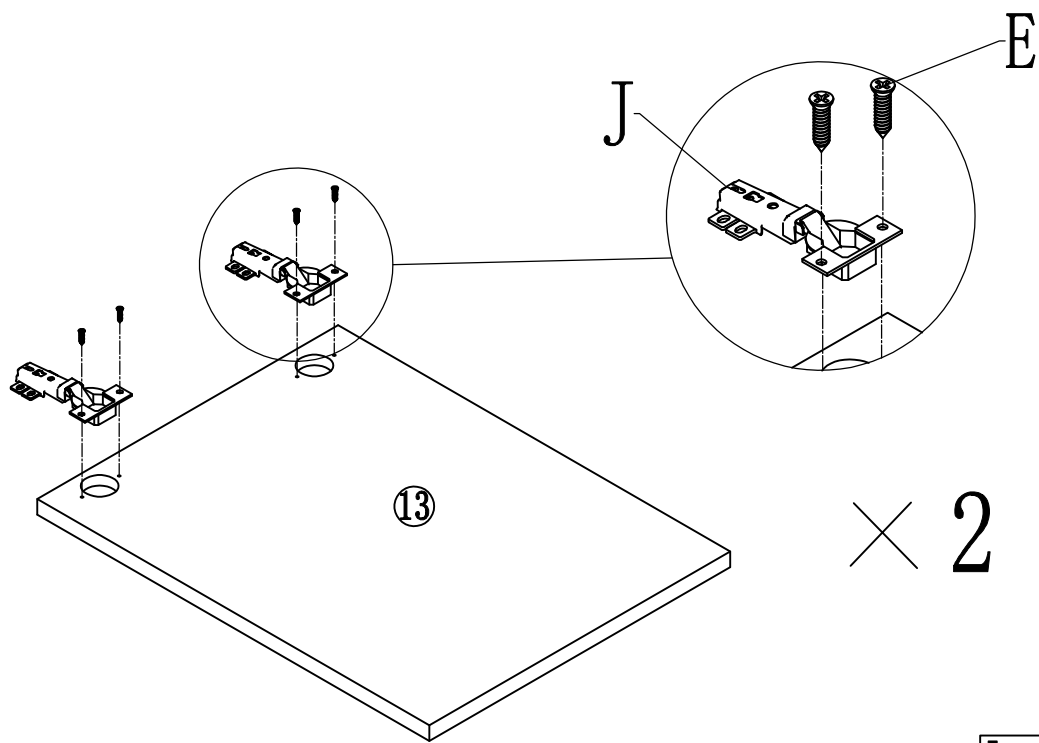
D	F
	
8*20 X 12	4*30 X 12

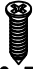
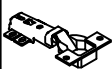
8



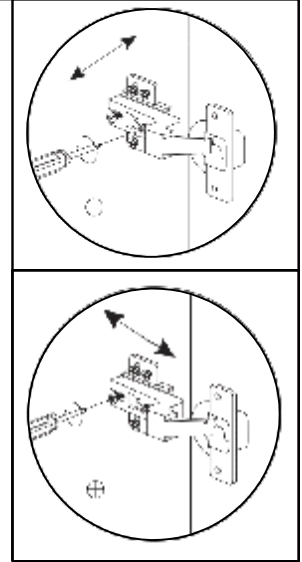
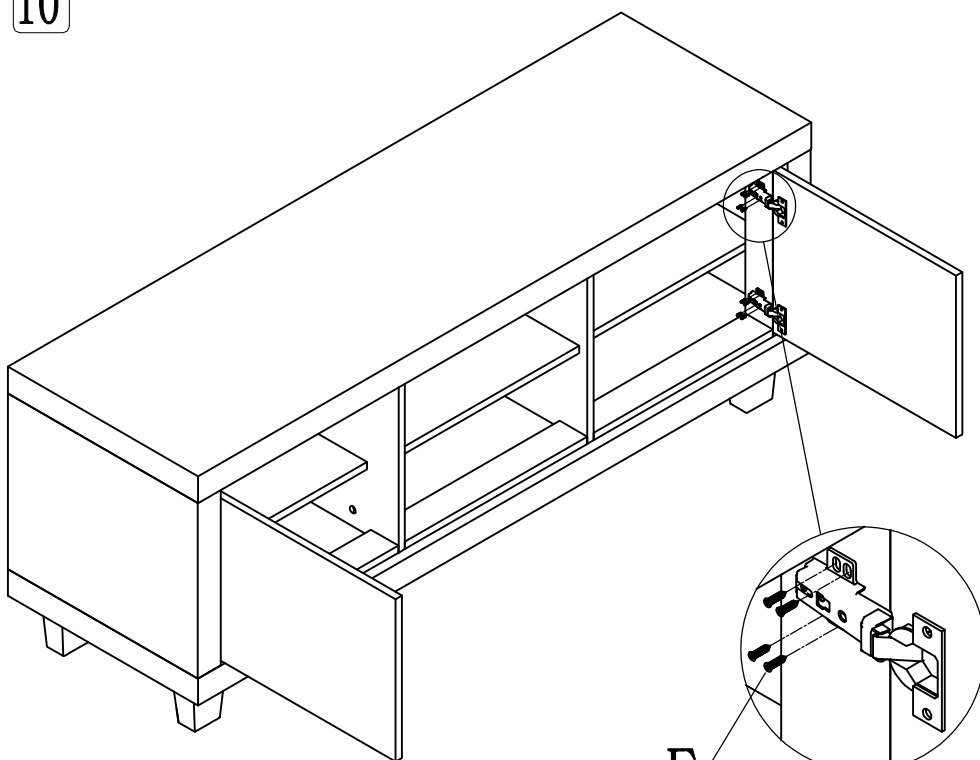
O

X 12


9



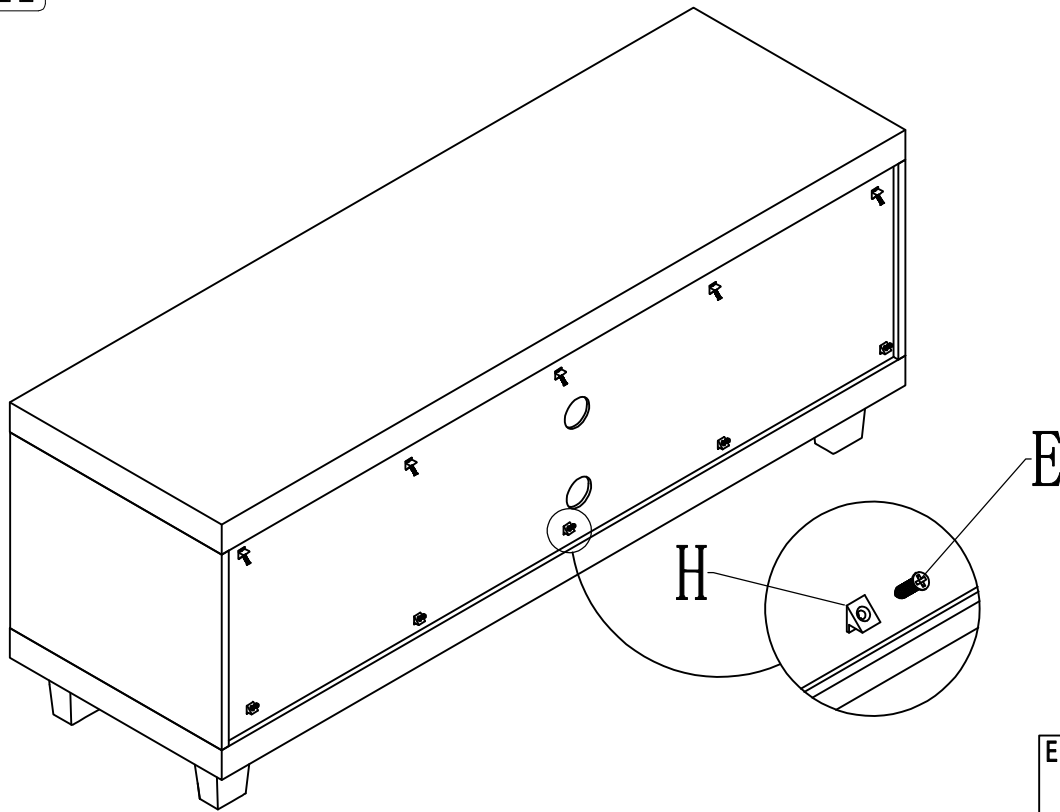
E	J
 3.5*15 X 8	 X 4

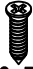

10



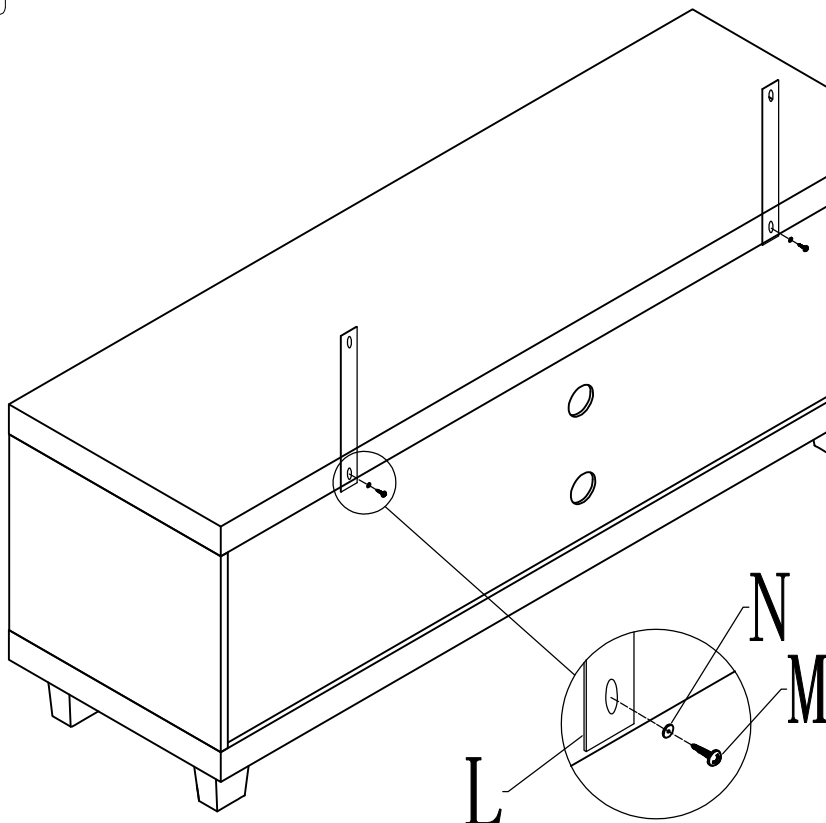
E
 3.5*15 X 16




11



E	H
	
3.5*15 X 10	X 10

12



L	M	N
		
X 2	X 2	X 2

13

