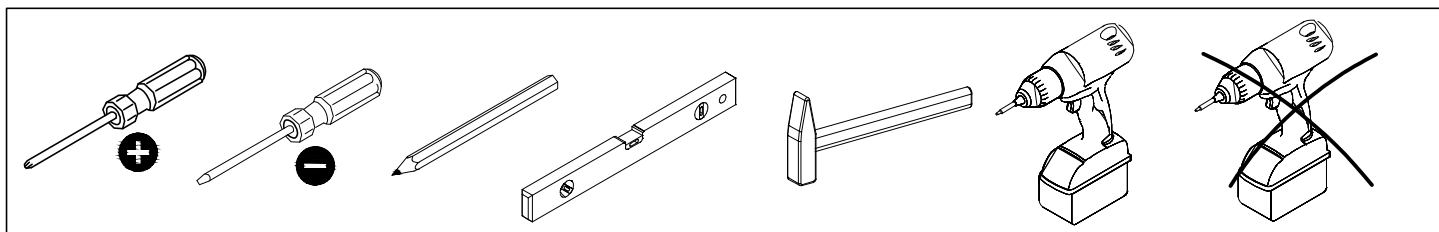
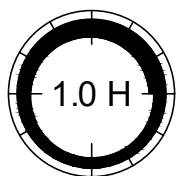
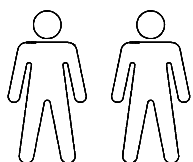
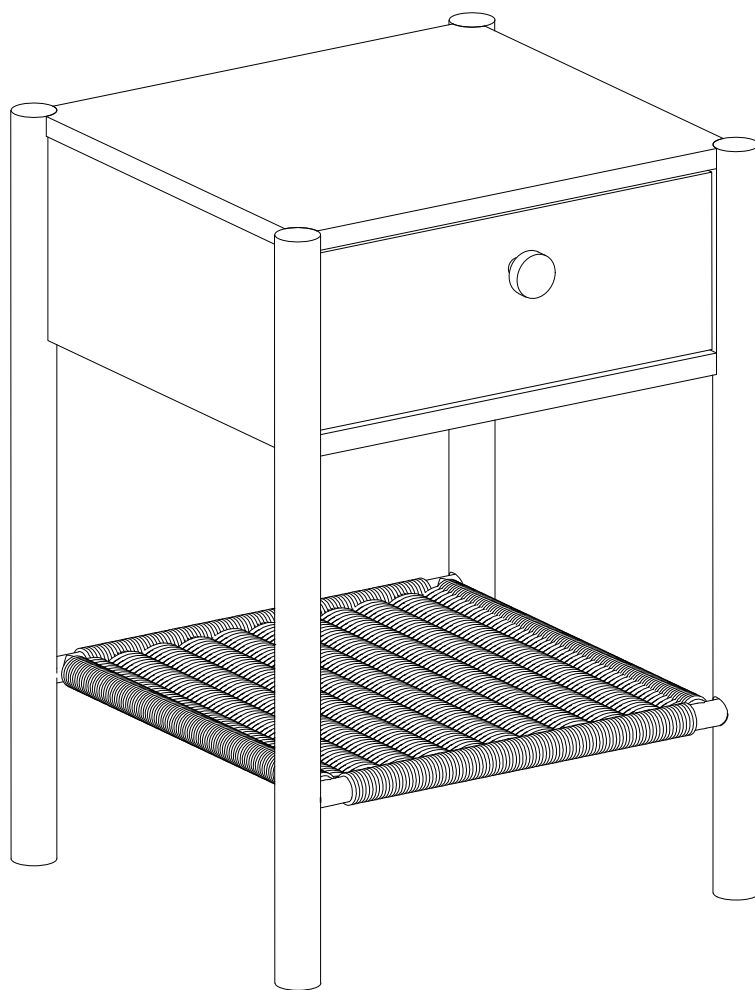
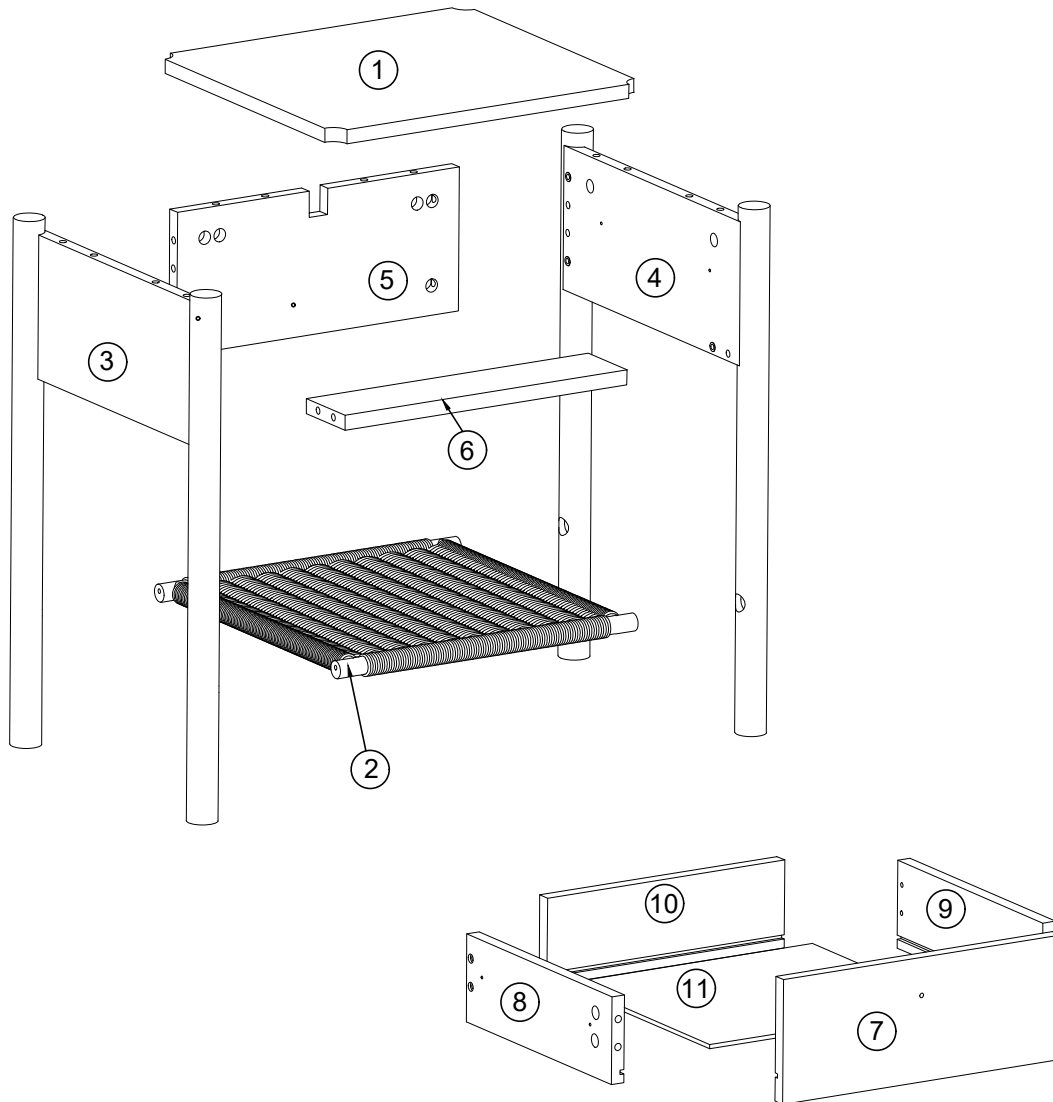
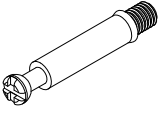
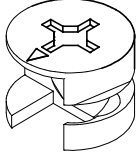
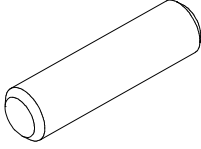
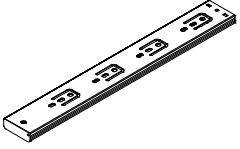
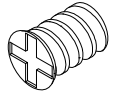
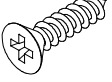
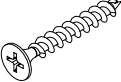

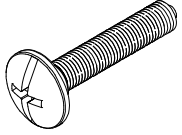
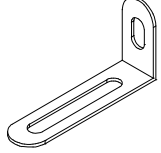
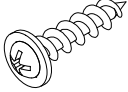
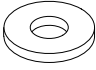


# MONFORT

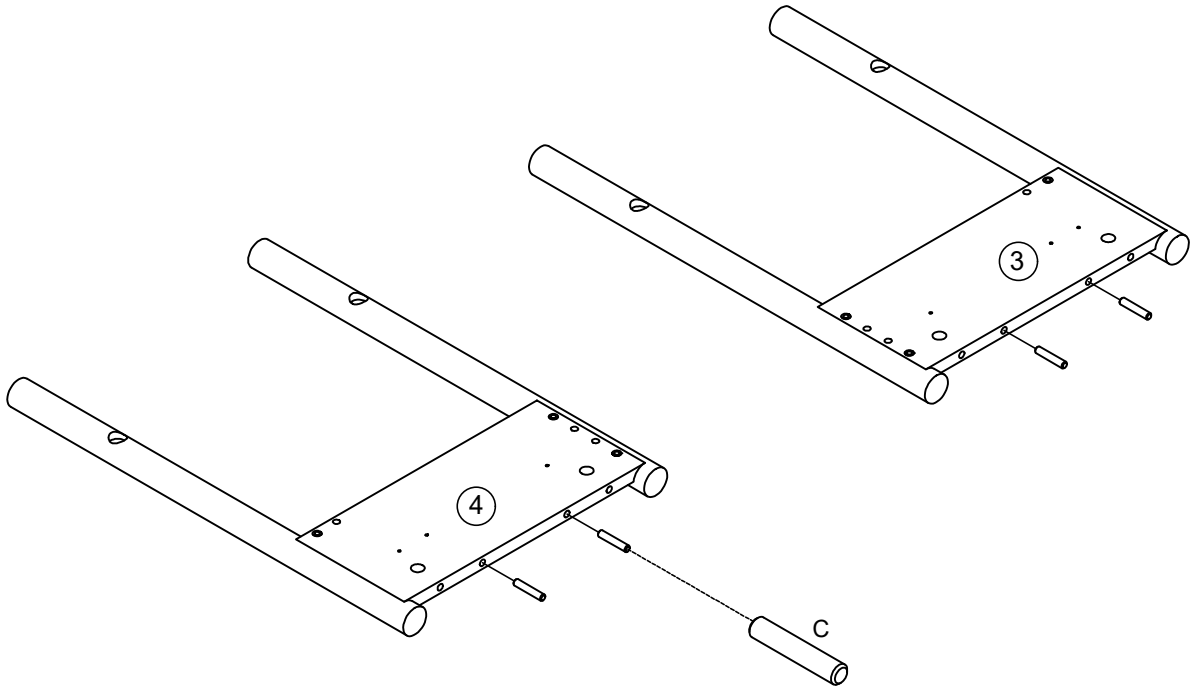
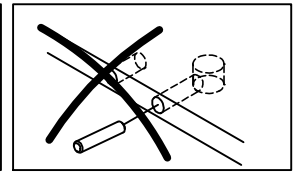
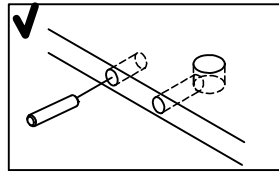
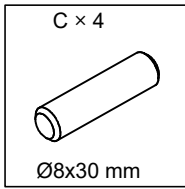


			✓
①	1	400x365x16	
②	1	393x385x28	
③	1	600x400x35	
④	1	600x400x35	
⑤	1	364x164x16	
⑥	1	364x80x16	
⑦	1	358x141x16	
⑧	1	300x100x16	
⑨	1	300x100x16	
⑩	1	307x100x16	
⑪	1	317x294x5	

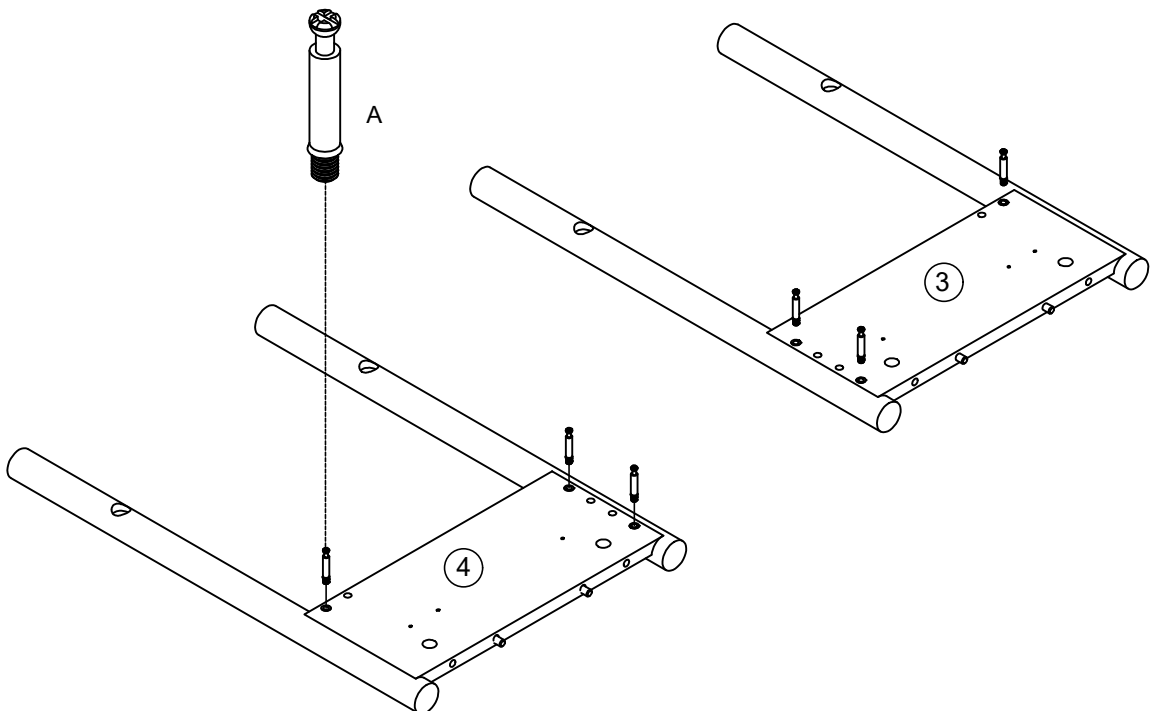
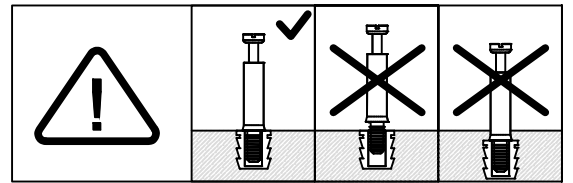
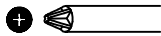
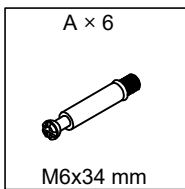


<p>A × 16</p>  <p>M6x34 mm</p>	<p>B × 16</p>  <p>Ø15x12 mm</p>	<p>C × 12</p>  <p>Ø8x30 mm</p>	<p>D × 2</p>  <p>300x36x13 mm</p>	<p>E × 6</p>  <p>M6x10 mm</p>
<p>F × 6</p>  <p>Ø3.5x12 mm</p>	<p>G × 8</p>  <p>Ø4x30 mm</p>	<p>H × 1</p>  <p>Ø33/10x20 mm</p>	<p>J × 1</p>  <p>M4x25 mm</p>	<p>K × 1</p>  <p>85x30x20 mm</p>
<p>L × 2</p>  <p>Ø3.5x15 mm</p>	<p>M × 3</p>  <p>Ø6/Ø12 mm</p>			

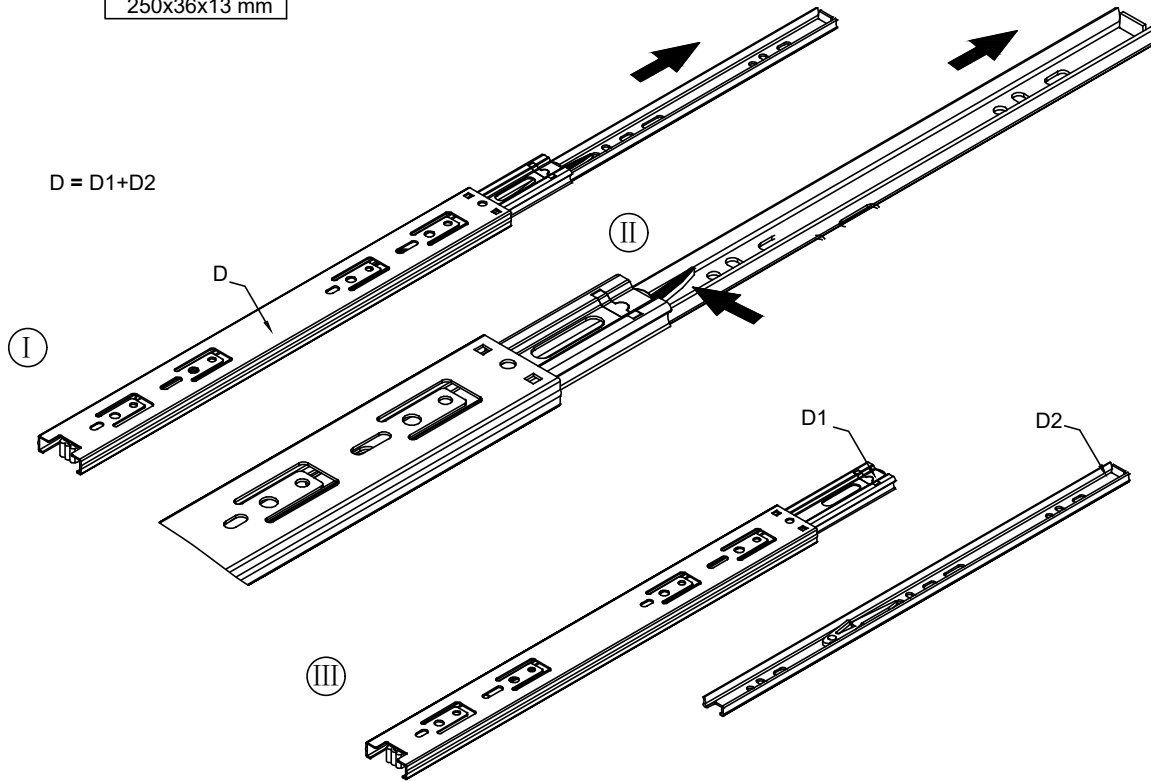
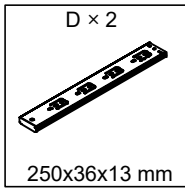
# 1



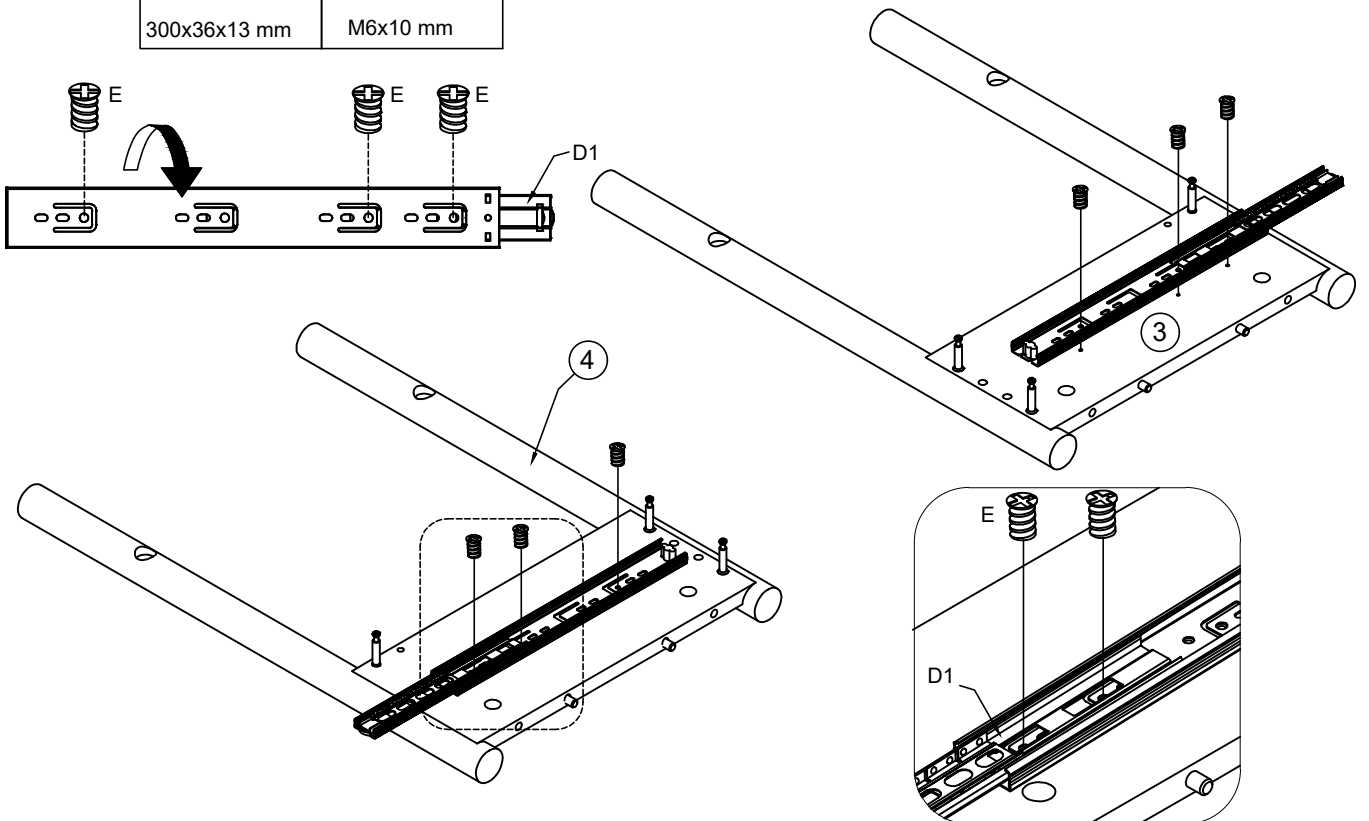
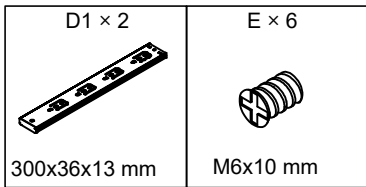
# 2



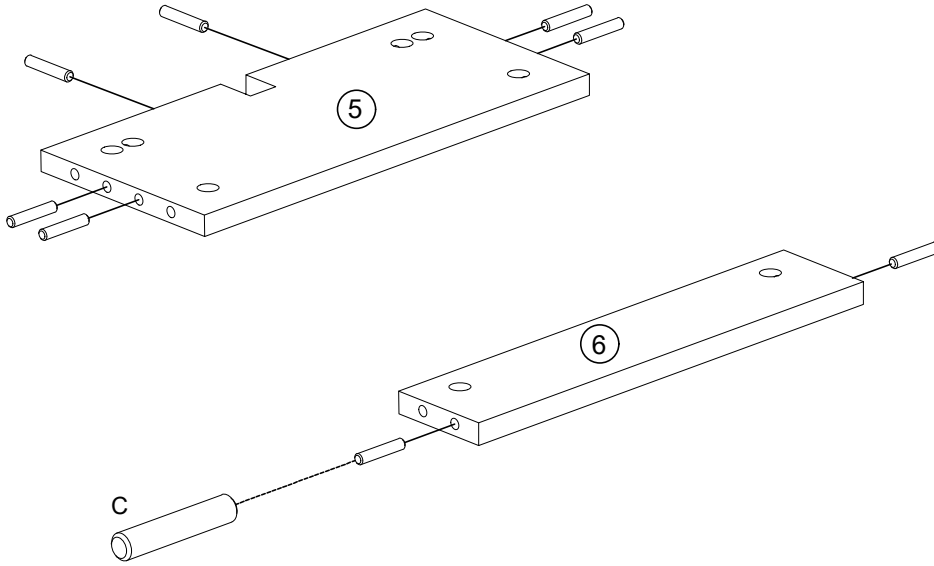
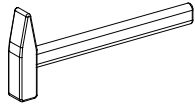
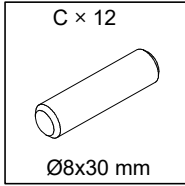
# 3



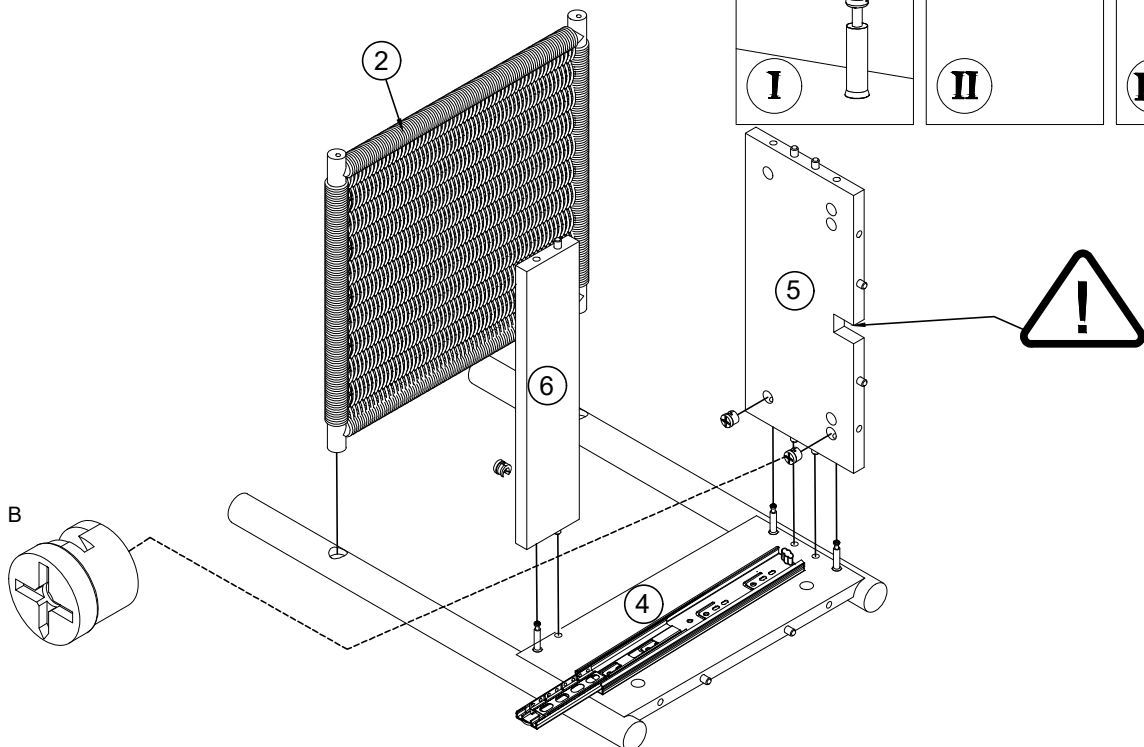
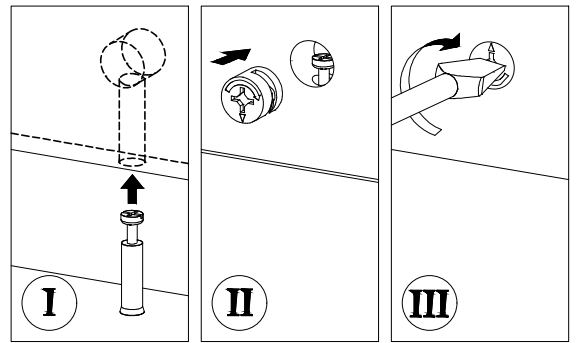
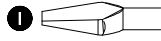
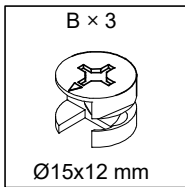
# 4



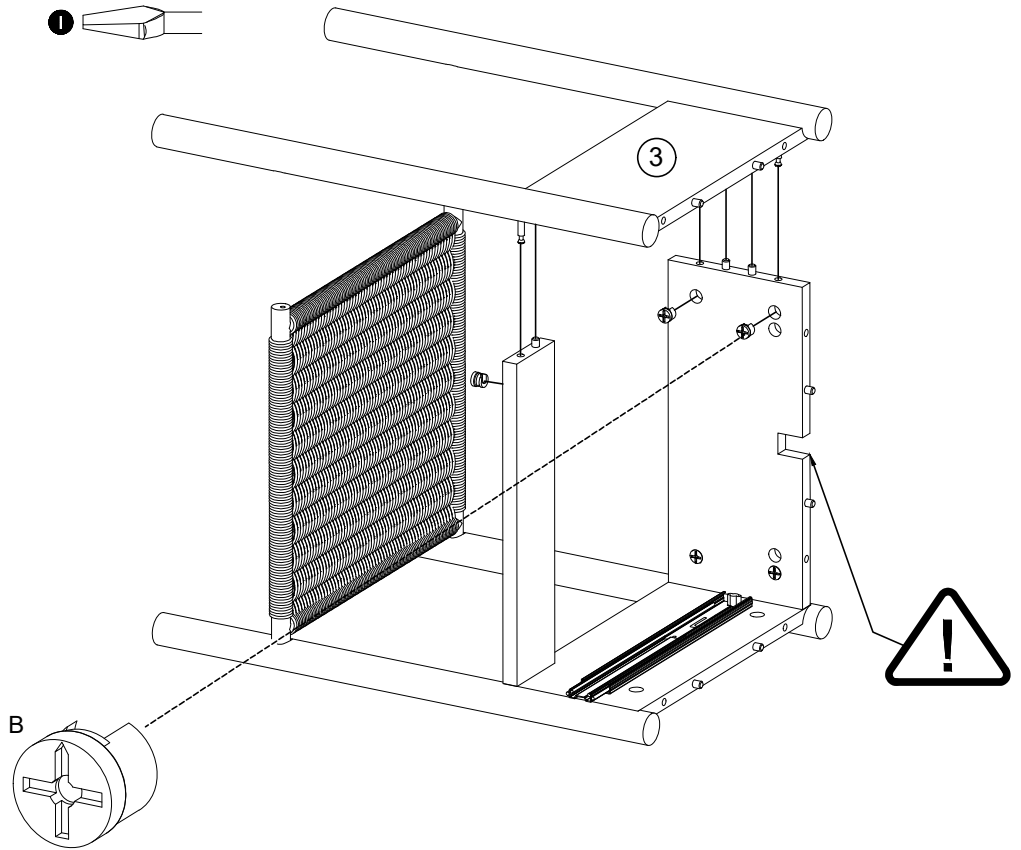
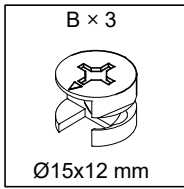
# 5



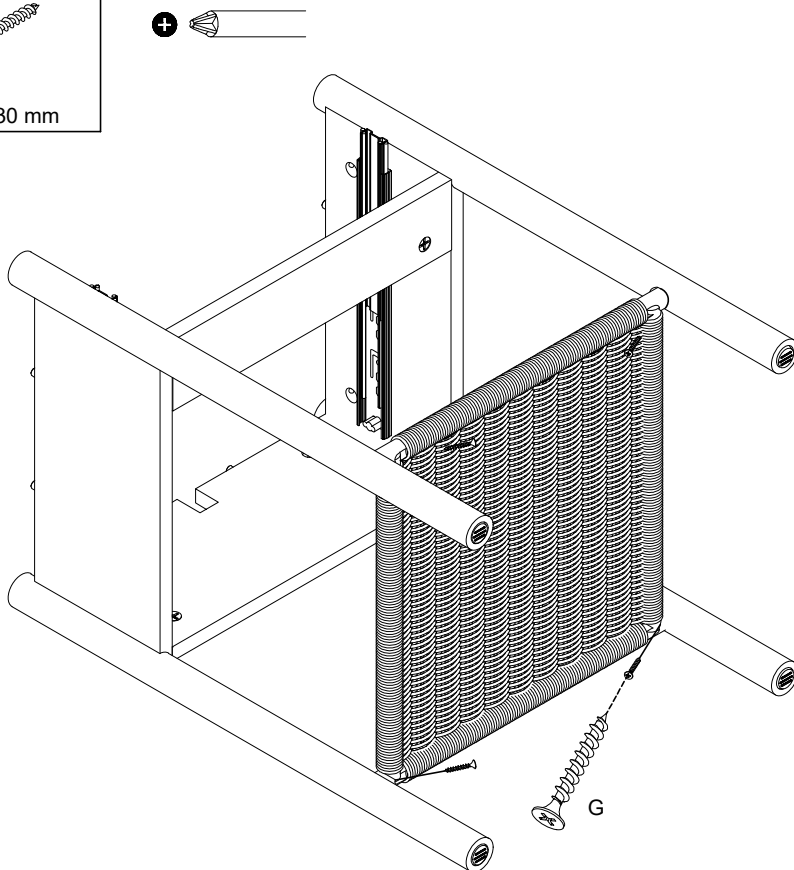
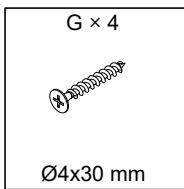
# 6



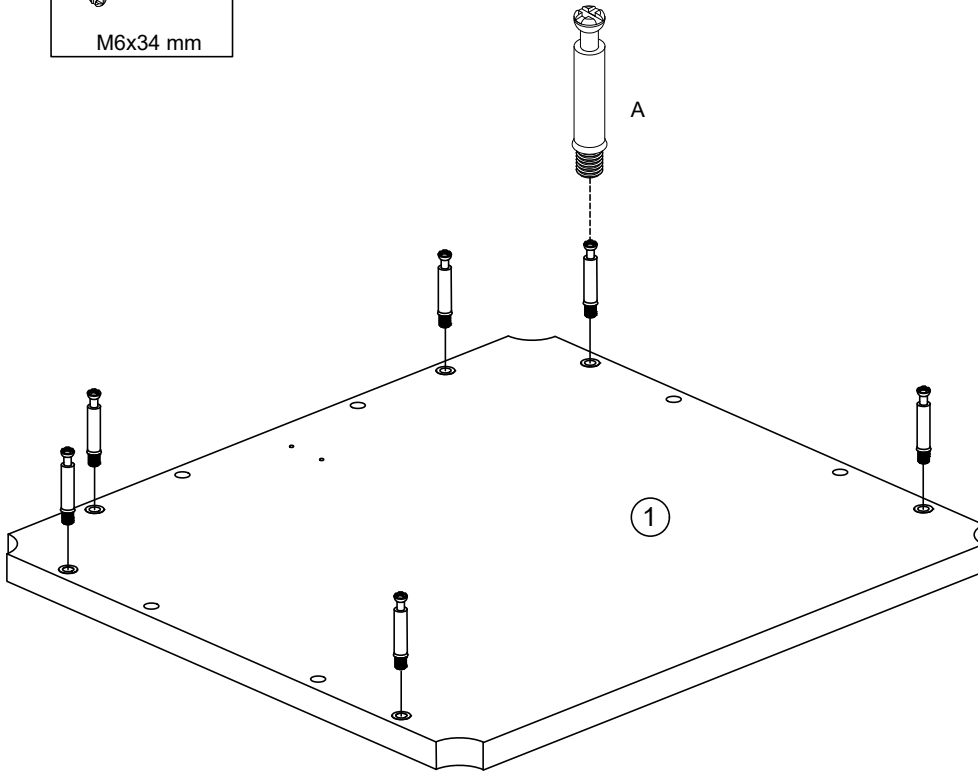
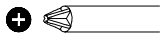
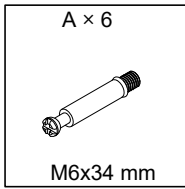
# 7



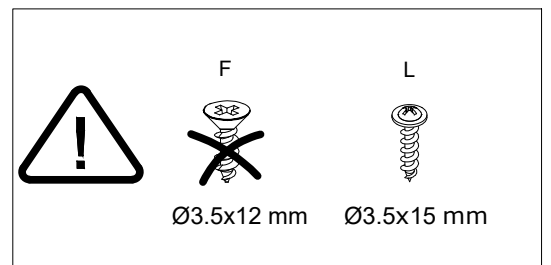
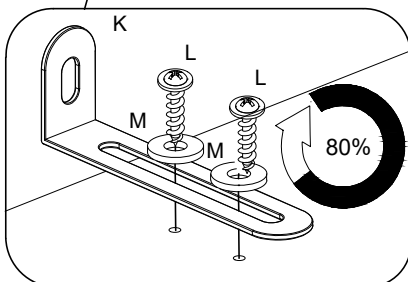
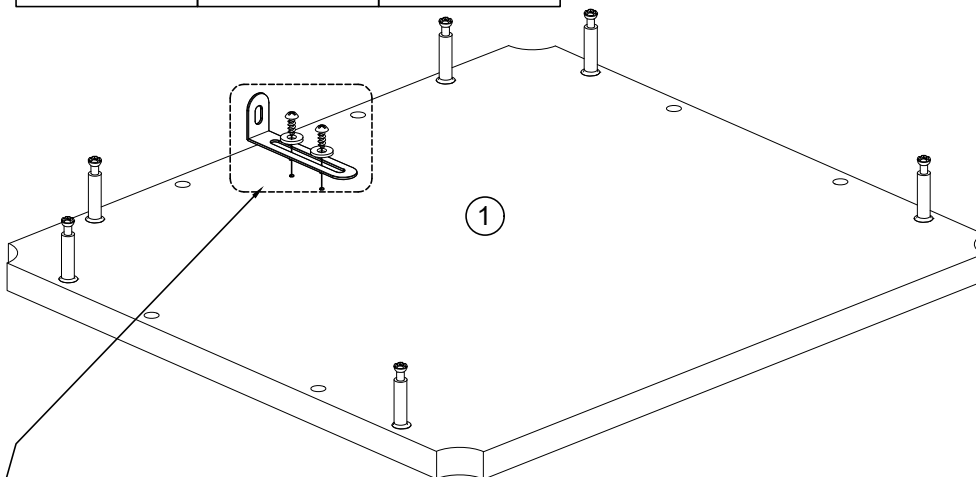
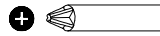
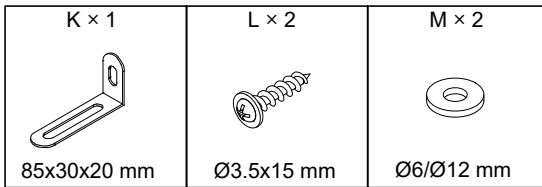
# 8



# 9

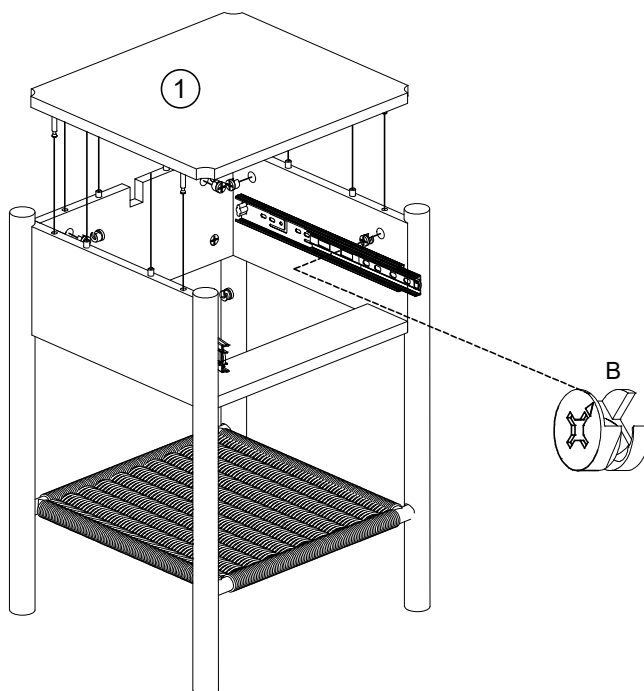
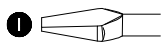
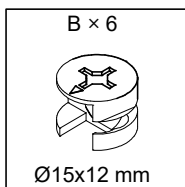


# 10

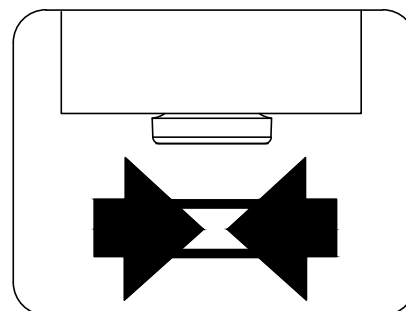
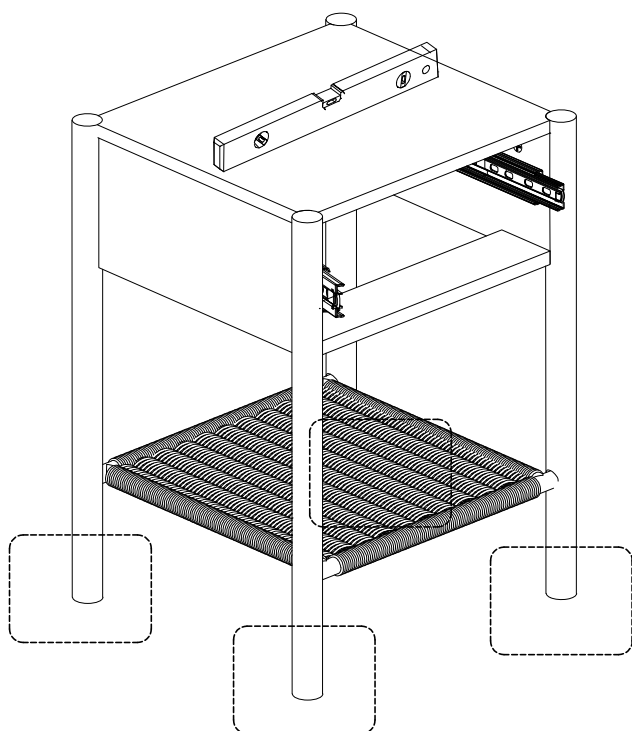
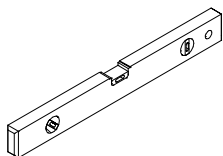




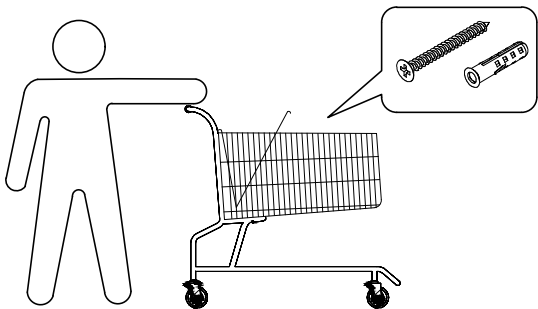
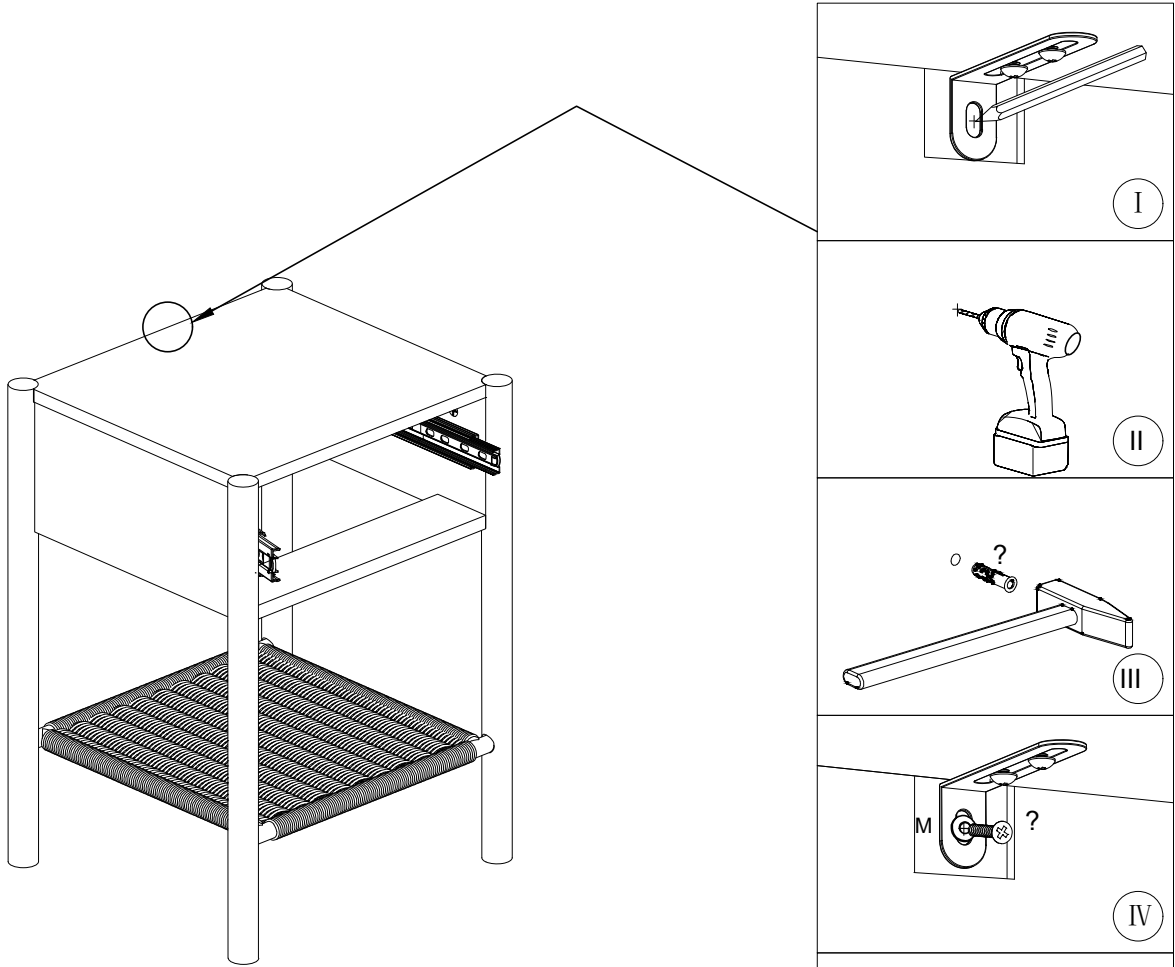
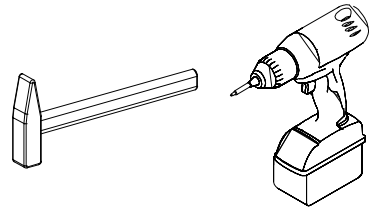
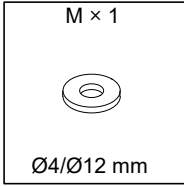
# 11



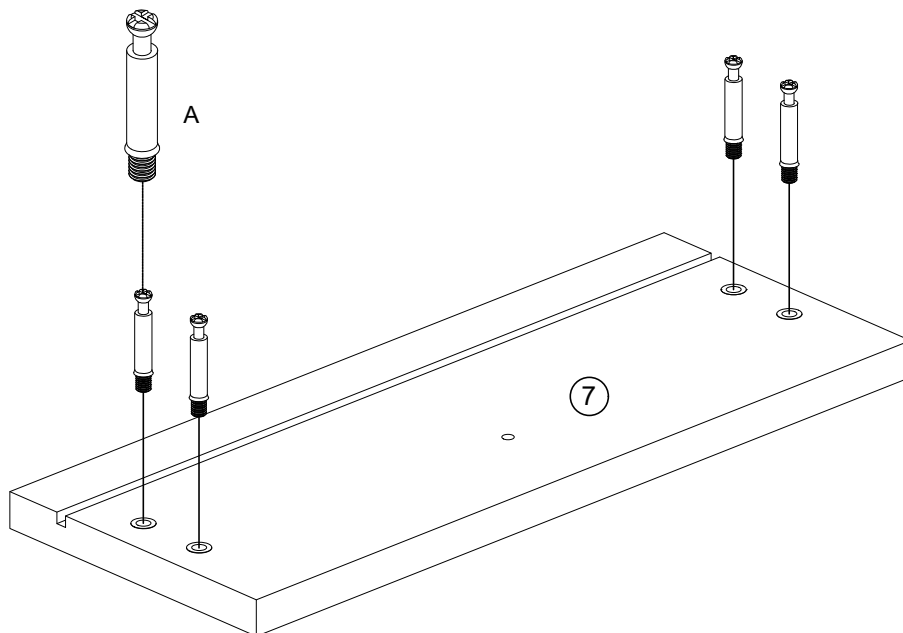
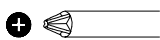
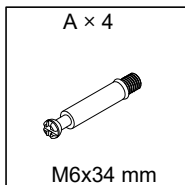
# 12



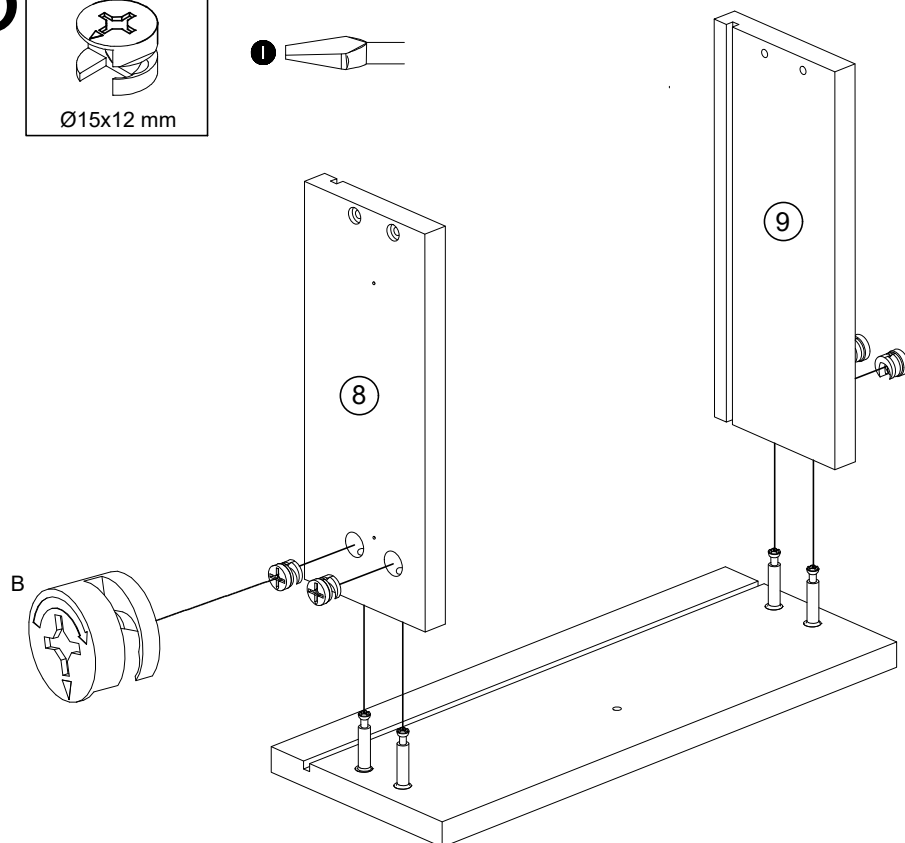
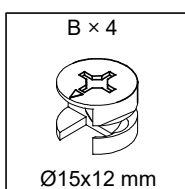
# 13



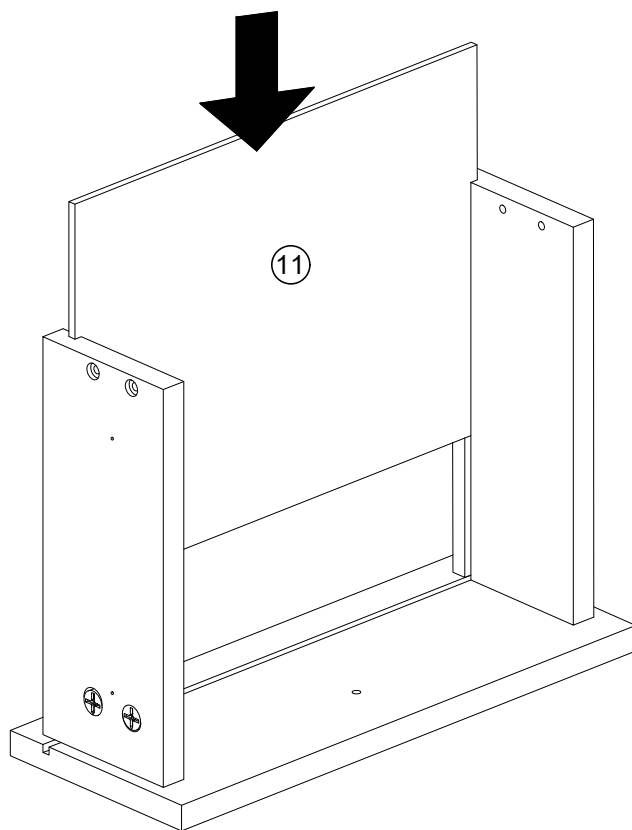
# 14



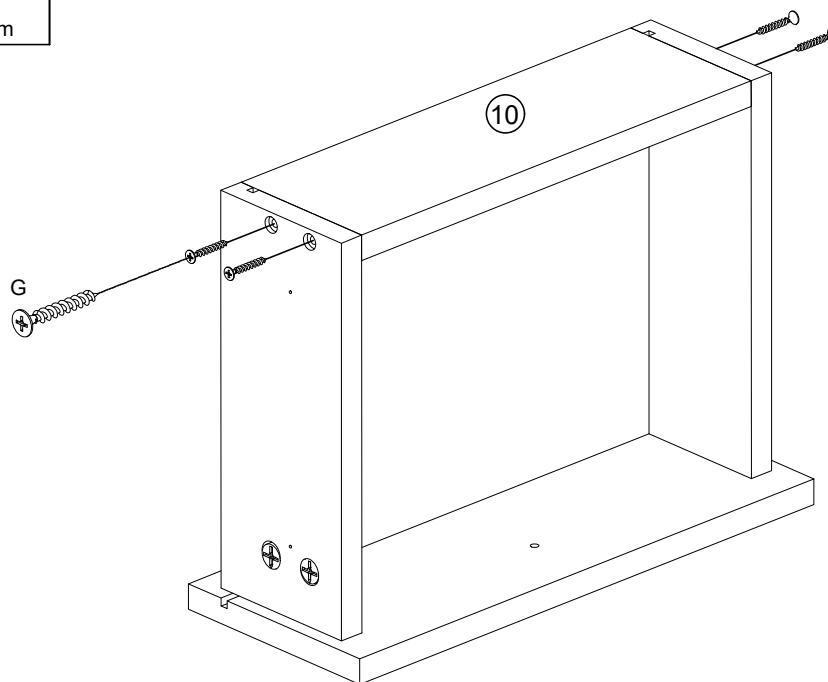
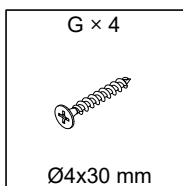
# 15



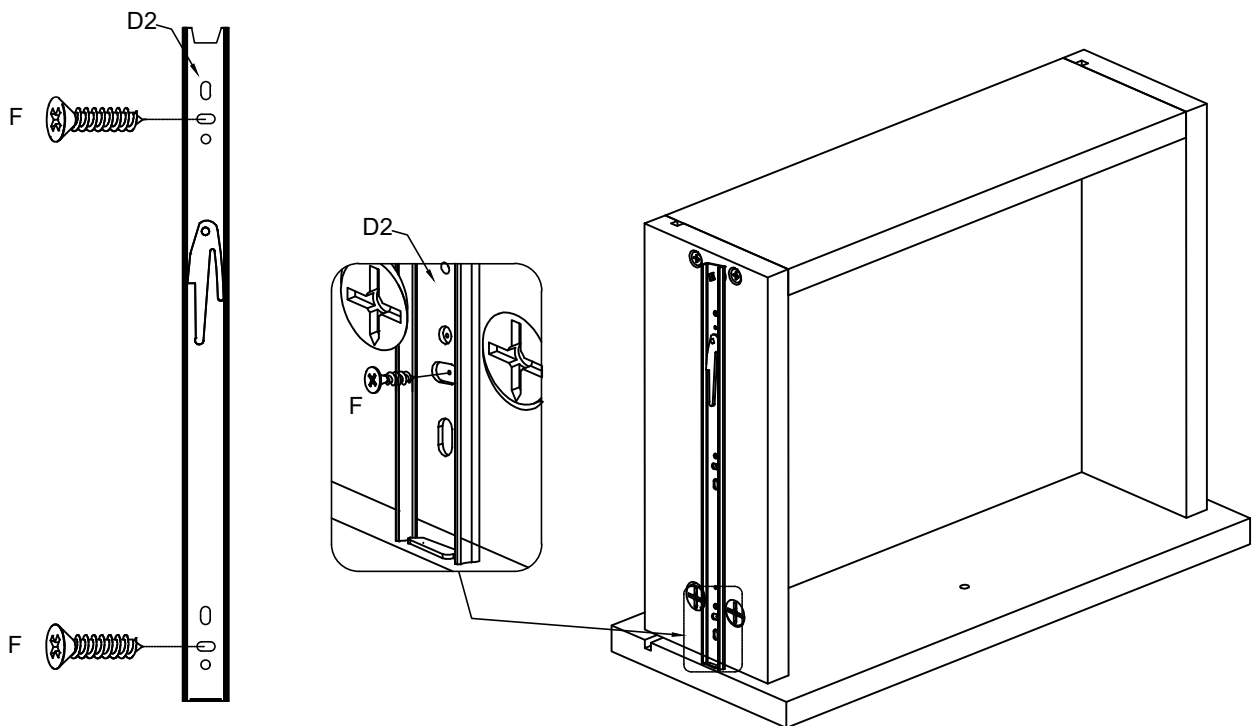
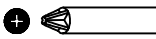
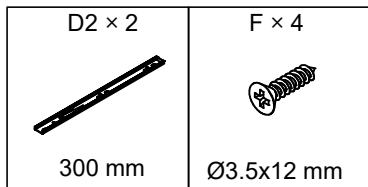
# 16



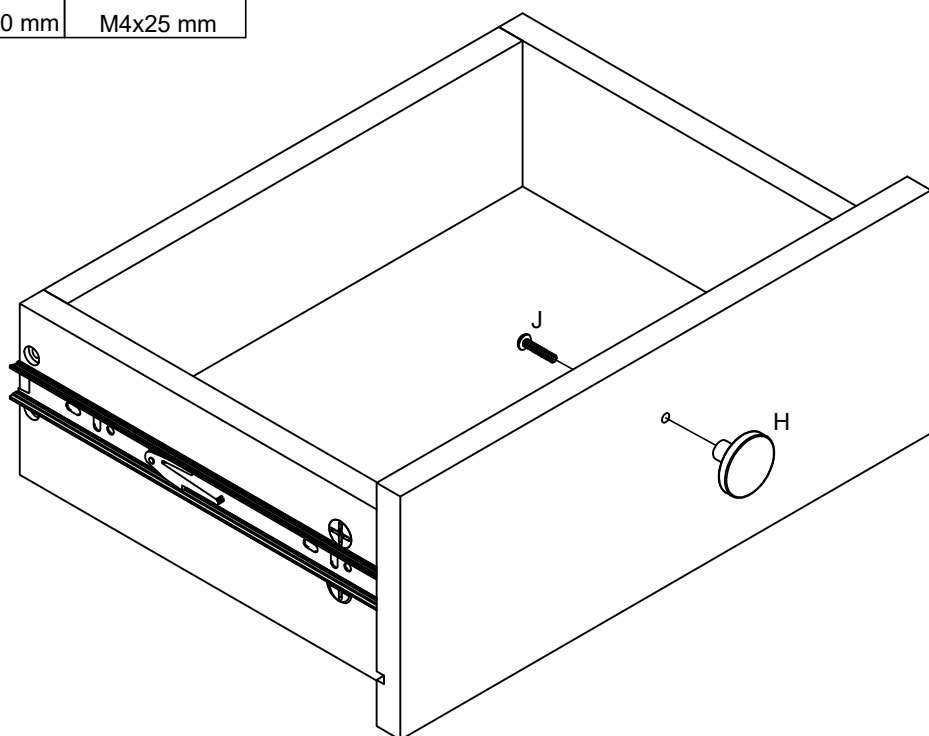
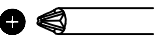
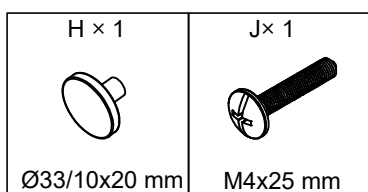
# 17



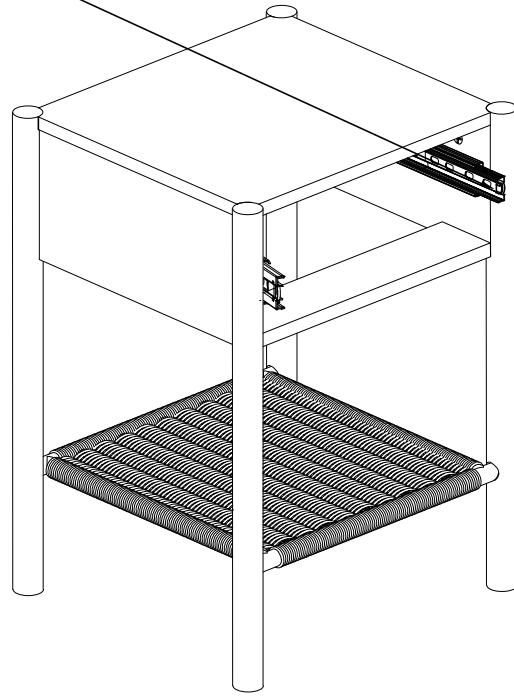
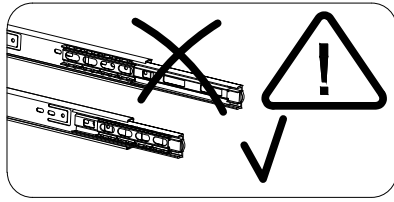
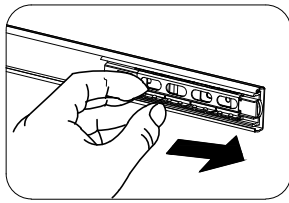
# 18



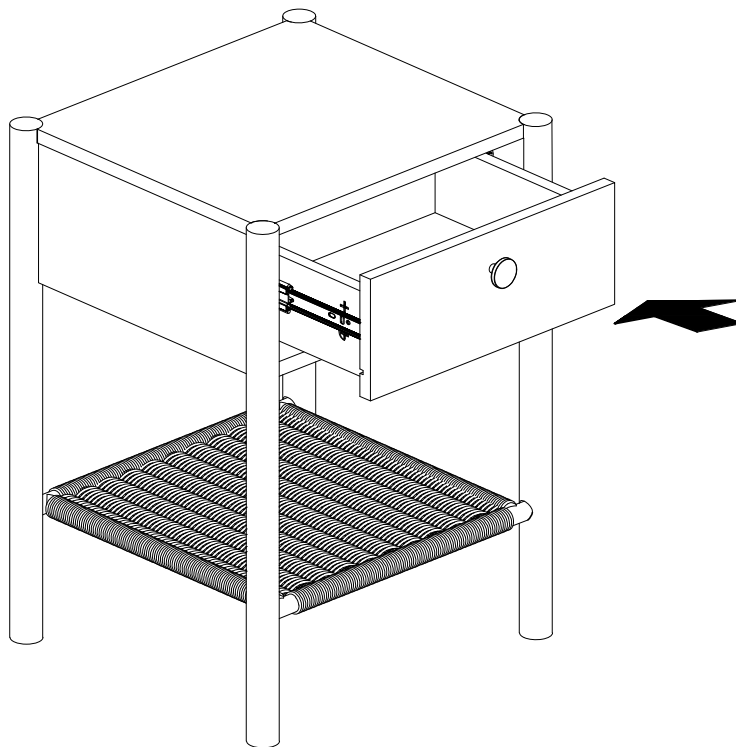
# 19



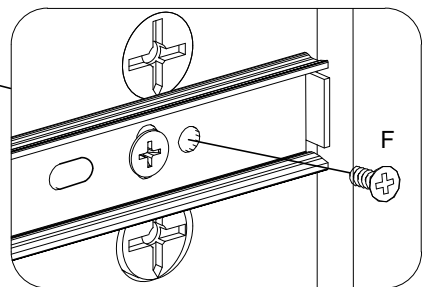
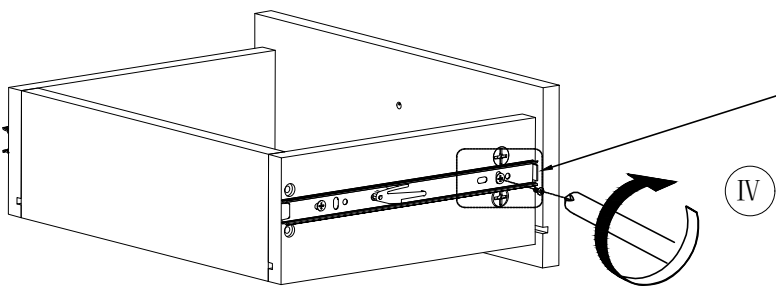
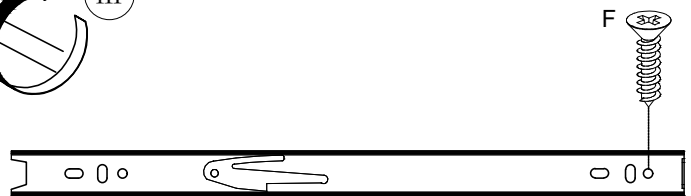
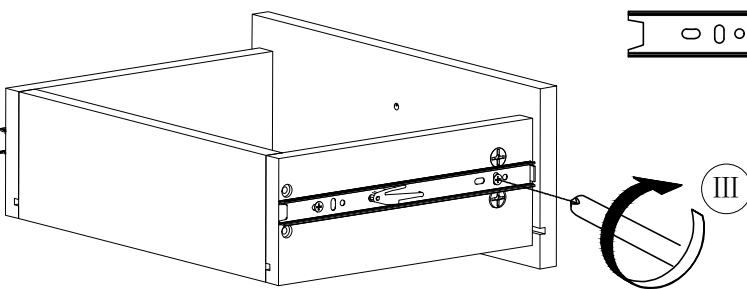
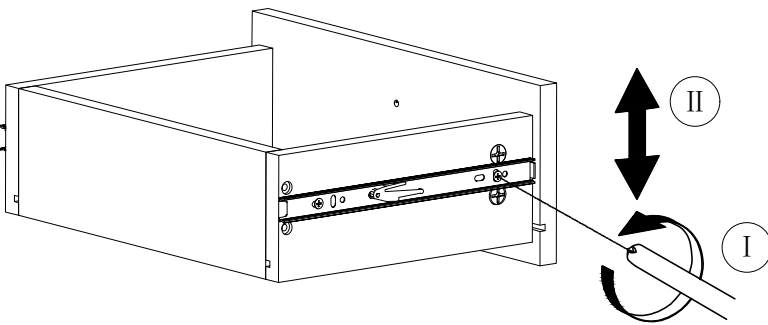
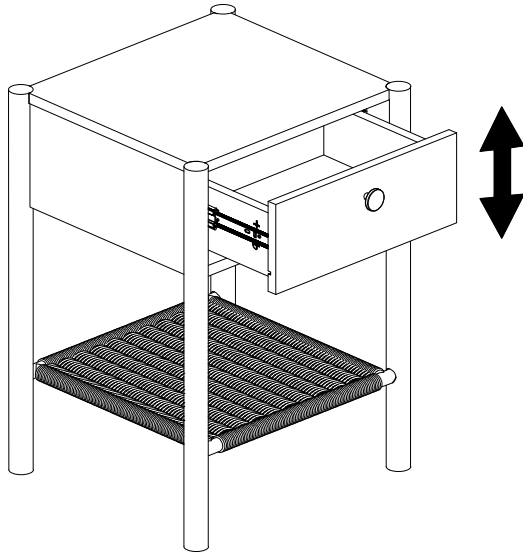
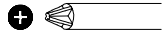
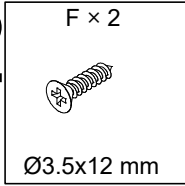
# 20



# 21



22



23

