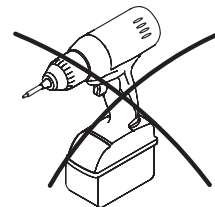
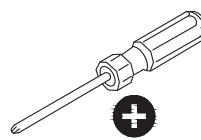
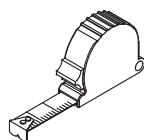
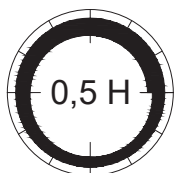
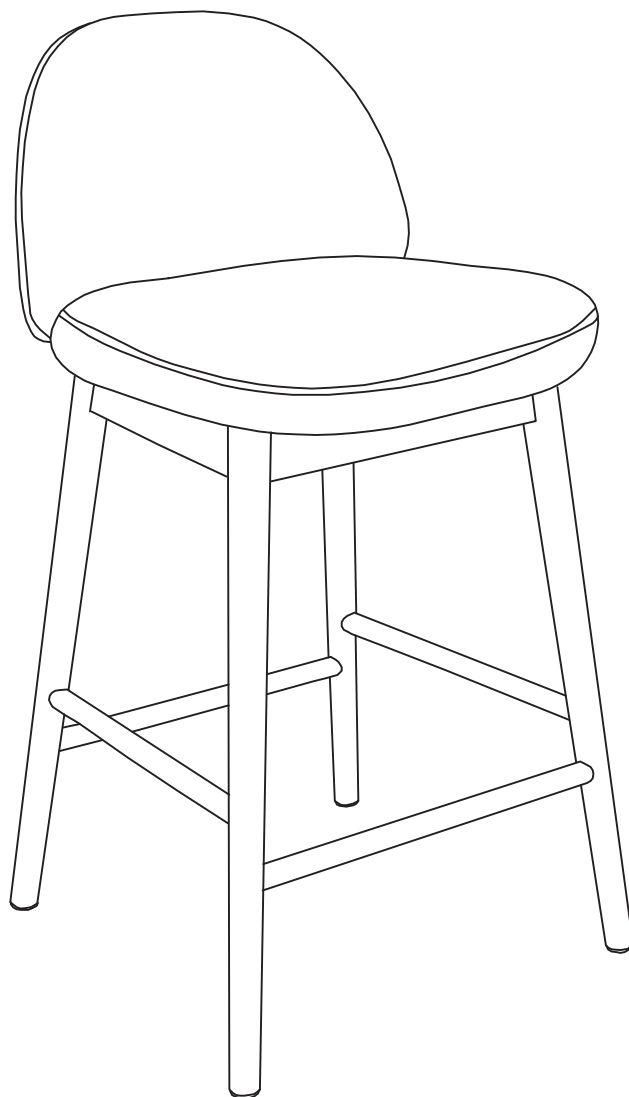
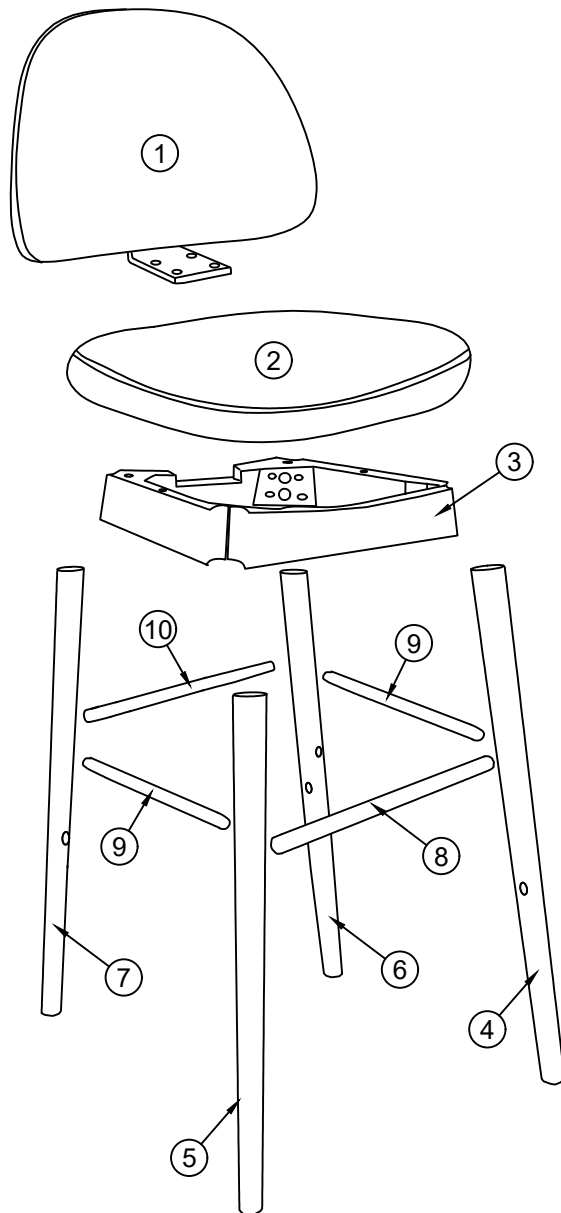


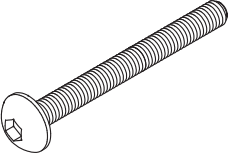
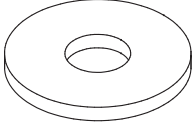
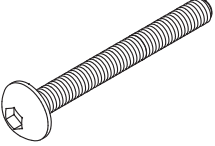
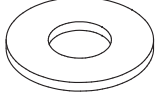
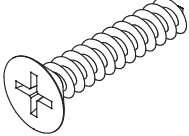
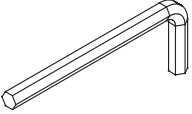
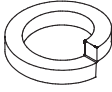

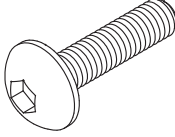
# SOPHIA



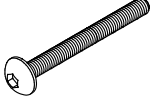

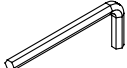
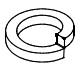
			✓
①	1	330x445x150	
②	1	430x475x80	
③	1	315x355x55	
④	1	∅40x605	
⑤	1	∅40x605	



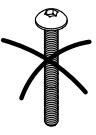
			✓
⑥	1	∅40x595	
⑦	1	∅40x595	
⑧	1	∅20x410	
⑨	2	∅20x360	
⑩	1	∅20x375	






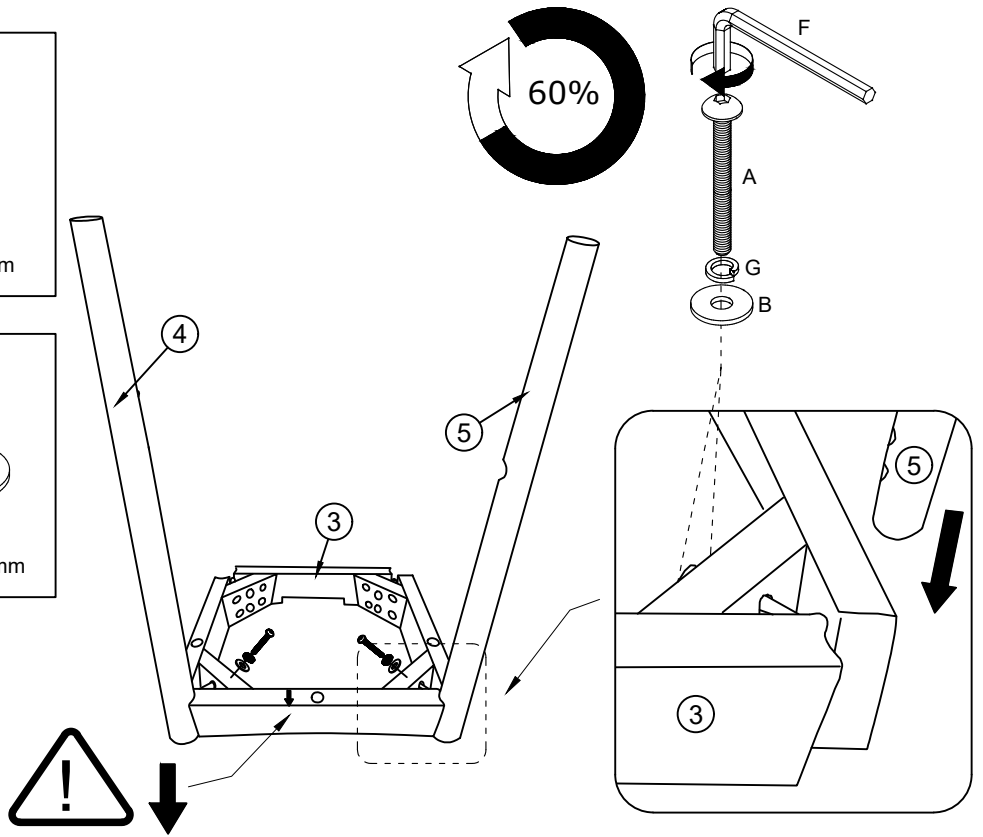
<p>A x 8</p>  <p>M6x60 mm</p>	<p>B x 12</p>  <p>Ø6/Ø18 mm</p>	<p>C x 3</p>  <p>M6x55 mm</p>	<p>D x 3</p>  <p>Ø6/Ø14 mm</p>	<p>E x 8</p>  <p>Ø5x35 mm</p>
<p>F x 1</p>  <p>5 mm</p>	<p>G x 8</p>  <p>Ø6 mm</p>	<p>H x 4</p>  <p>Ø20x5 mm</p>	<p>J x 4</p>  <p>M6x25 mm</p>	

# 1

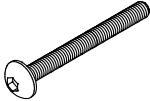

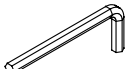
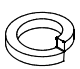
A x 4  M6x60 mm	B x 4  Ø6/Ø18 mm	F x 1  5 mm	G x 4  Ø6 mm
--	---	--	---



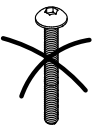
	A  M6x60 mm	C  M6x55 mm
---	--	--




	B  Ø6/Ø18 mm	D  Ø6/Ø14 mm
---	---	---

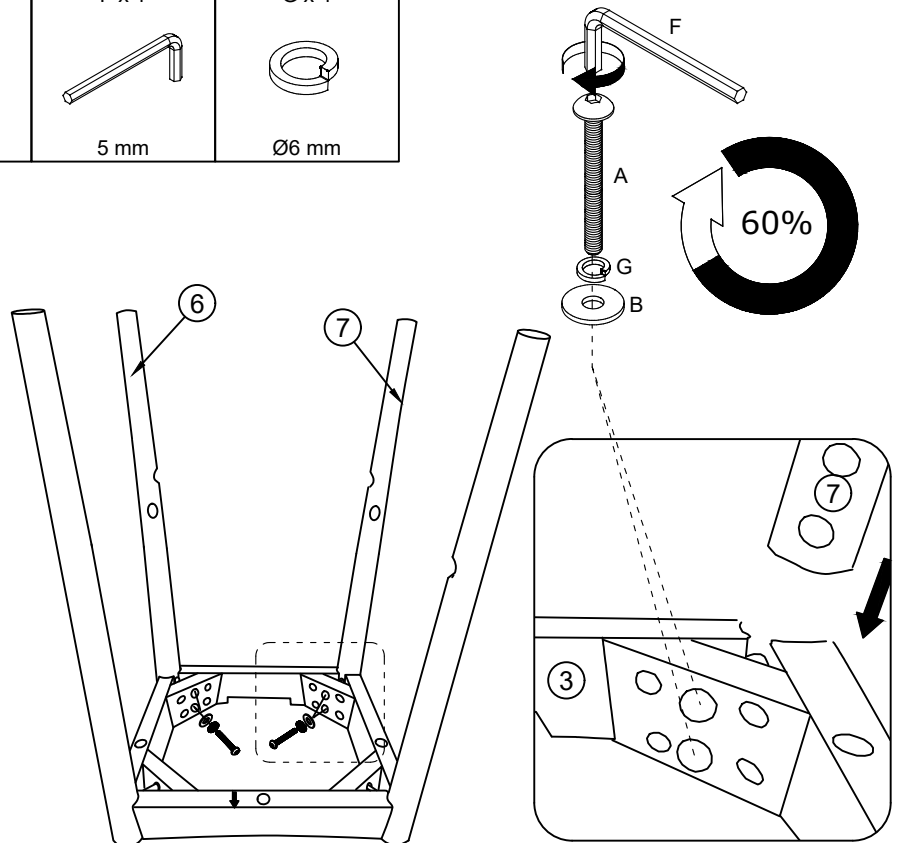


# 2

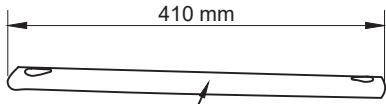
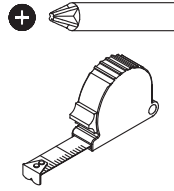
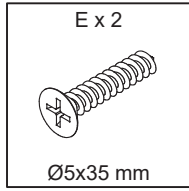
A x 4  M6x60 mm	B x 4  Ø6/Ø18 mm	F x 1  5 mm	G x 4  Ø6 mm
--	---	--	---

	A  M6x60 mm	C  M6x55 mm
---	--	--

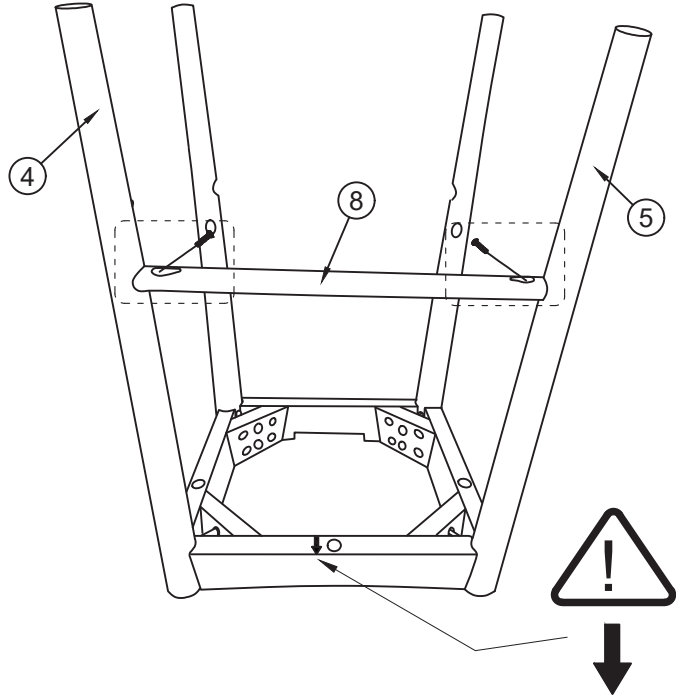
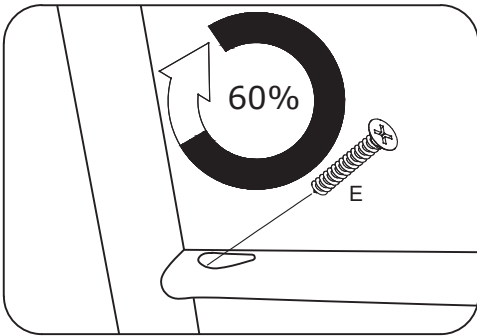
	B  Ø6/Ø18 mm	D  Ø6/Ø14 mm
---	---	---



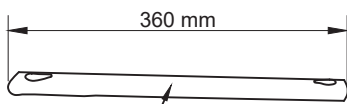
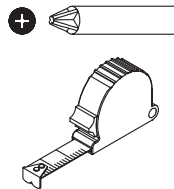
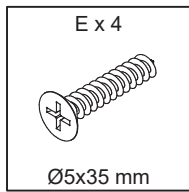
# 3



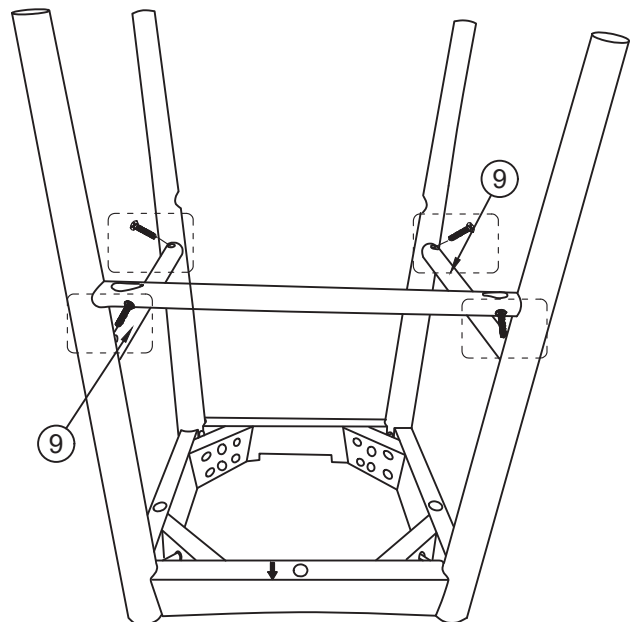
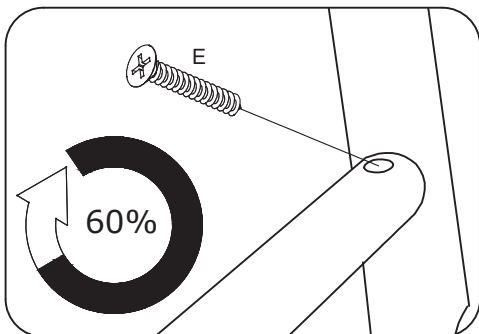
8



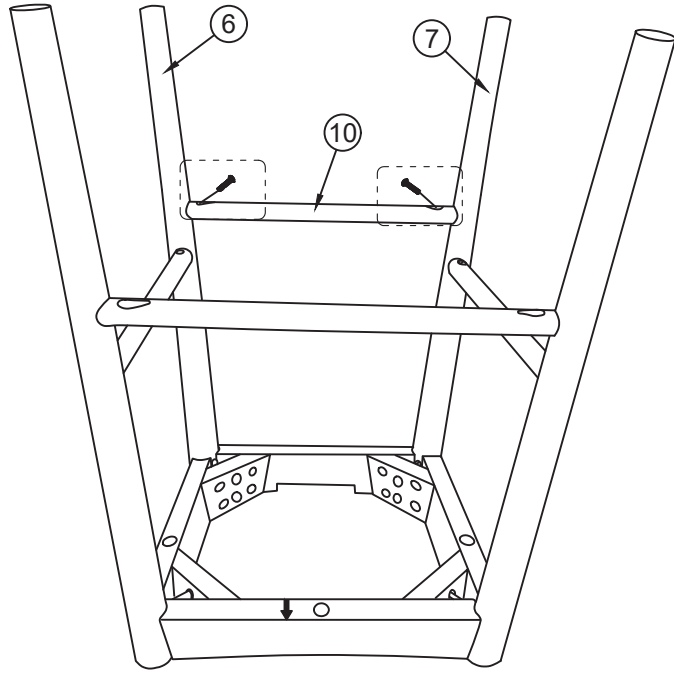
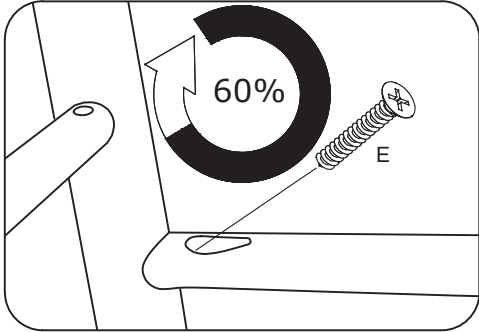
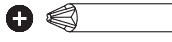
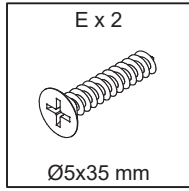
# 4



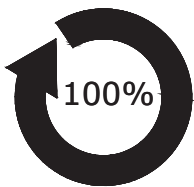
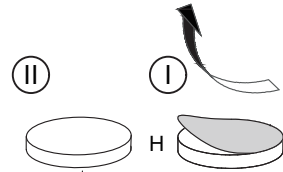
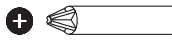
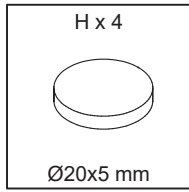
9



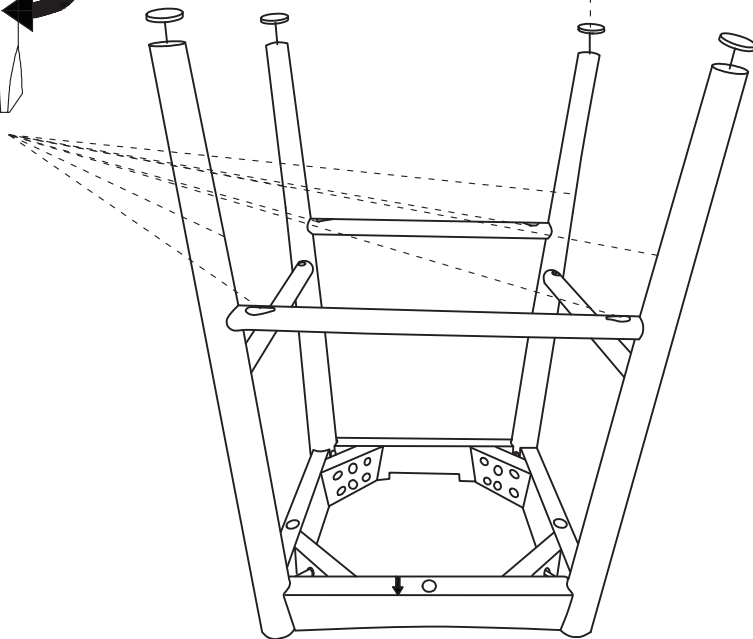
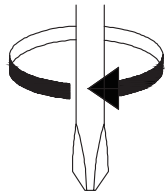
# 5



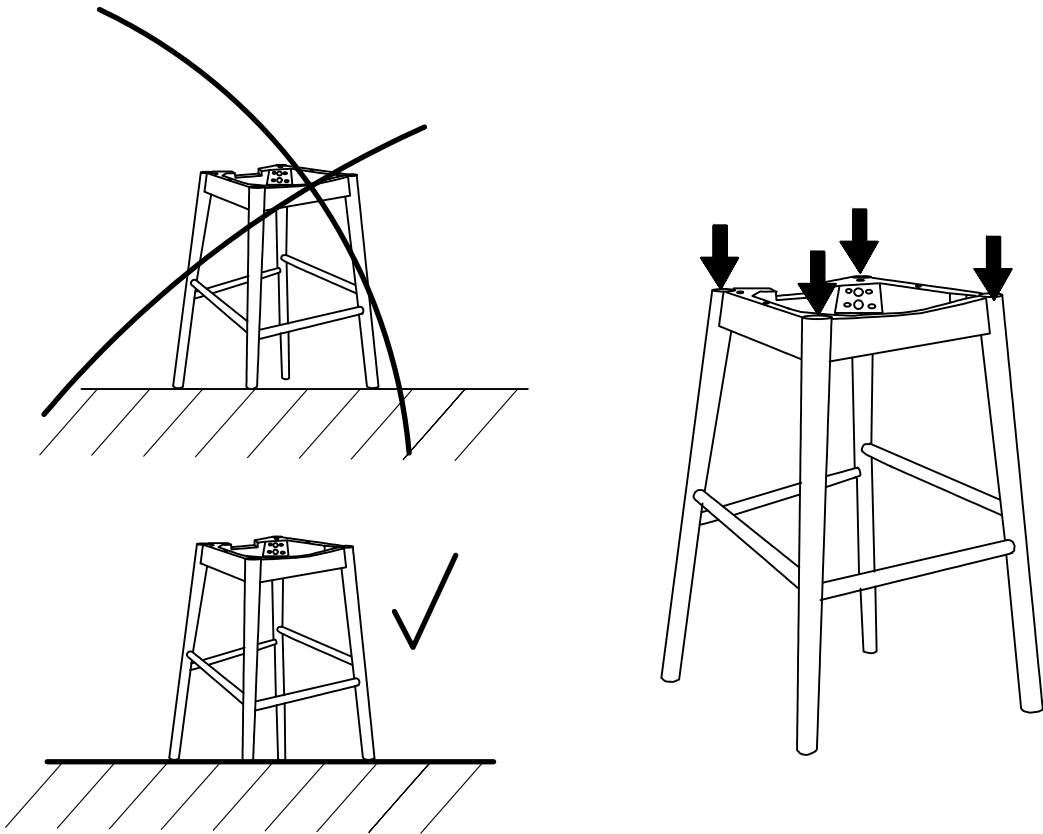
# 6



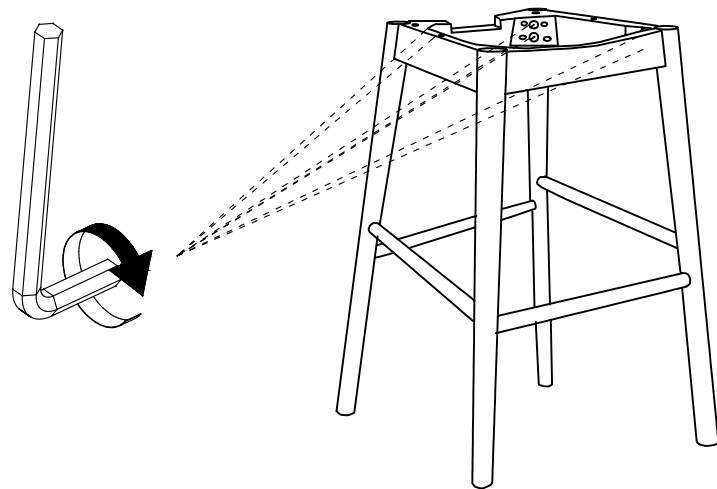
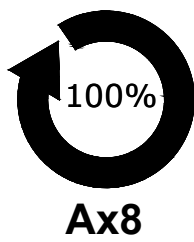
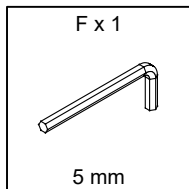
Ex8



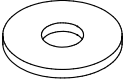
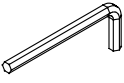
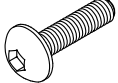
7

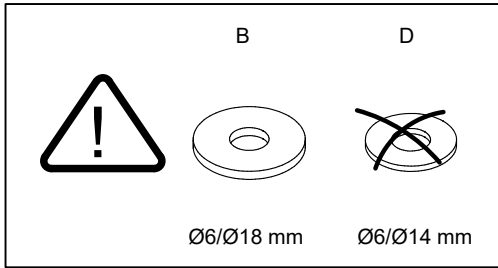
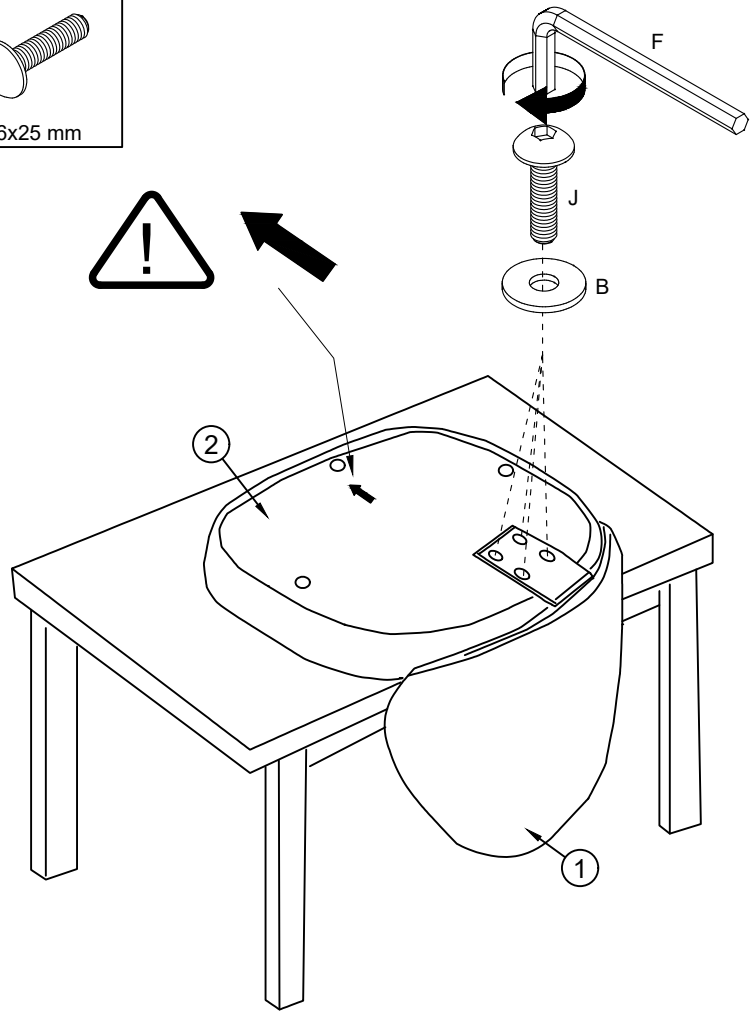


8


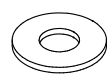
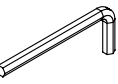


# 9

B x 4  Ø6/Ø18 mm	F x 1  5 mm	J x 4  M6x25 mm
---	--	--



# 10

C x 3  M6x55 mm	D x 3  Ø6/Ø14 mm	F x 1  5 mm
--	---	--

