




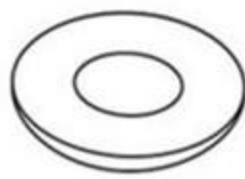





# Assemble Instruction -- ST1913

		 ①x1	 ②x1	 ③x4	 ④x4
 ⑤x1					

