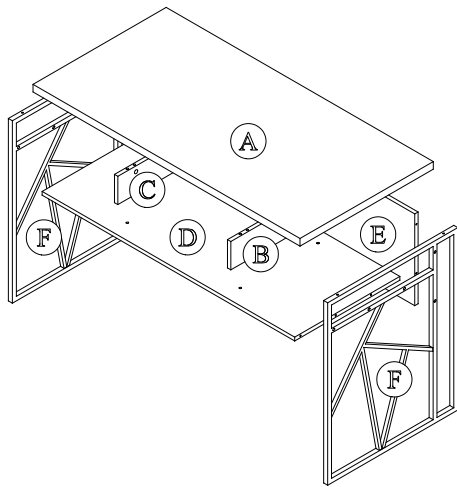


HARDWARE LIST

4 Pcs	4 Sets	8 Pcs	1 Pc	10 Pcs	4 Pcs	4 Pcs	4 Pcs

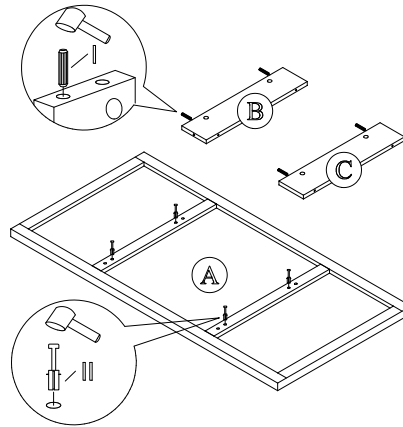
PART LIST

CODE	QTY
A	1
B	1
C	1
D	1
E	1
F	2



STEP 1

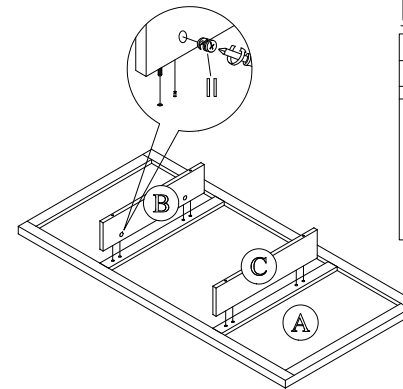
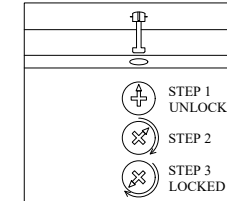
YOU WILL NEED :-		4 PCS
		4 PCS



STEP 2

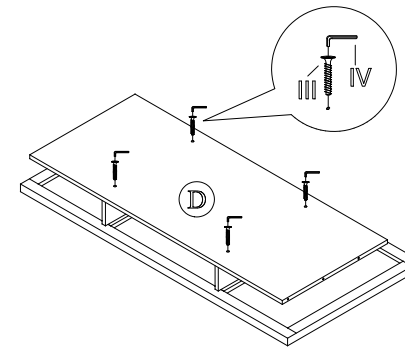
YOU WILL NEED :-		4 PCS
------------------	--	-------

MINIFIX SETUP



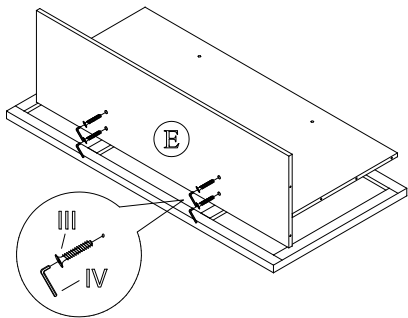
STEP 3

YOU WILL NEED :-		4 PCS
		1 PC



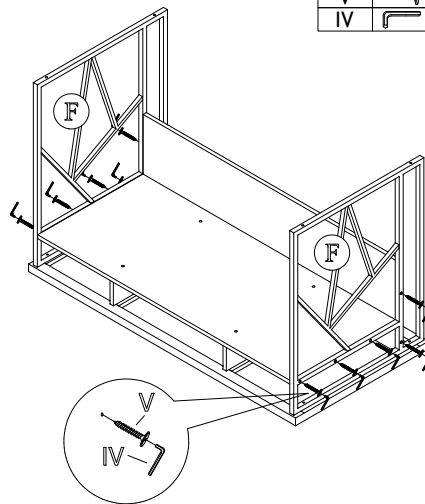
STEP 4

YOU WILL NEED :-		4 PCS
		1 PC



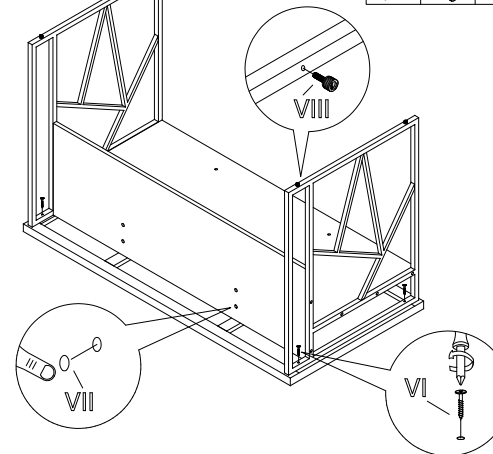
STEP 5

YOU WILL NEED :-		10 PCS
		1 PC

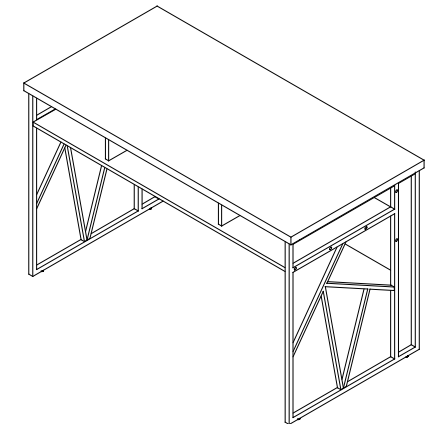


STEP 6

YOU WILL NEED :-		4 PCS
		4 PCS
		4 PCS



COMPLETE



ASSEMBLY INSTRUCTIONS

DO NOT FULLY TIGHTEN ANY BOLTS BEFORE ALL PARTS ARE LOOSELY ASSEMBLED. THE PRODUCT/FITTINGS MAY BE DAMAGED IF OVERTIGHTENED. BEWARE OF CROSS THREADING SCREWS AND BOLTS DURING ASSEMBLY.

SMALL COMPONENT PARTS COULD CHOKE A CHILD IF SWALLOWED. WE STRONGLY RECOMMEND THAT YOU KEEP CHILDREN AWAY FROM THE WORK AREA.

MTL39