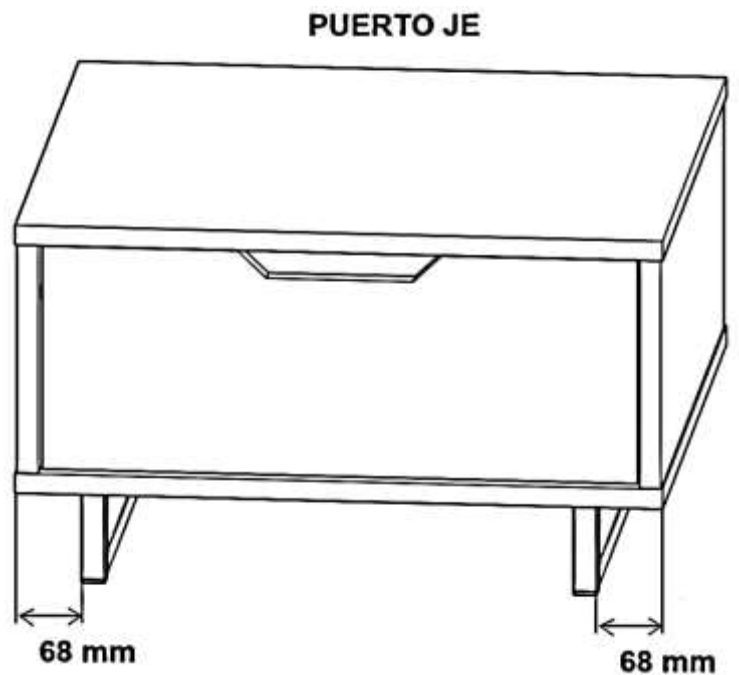
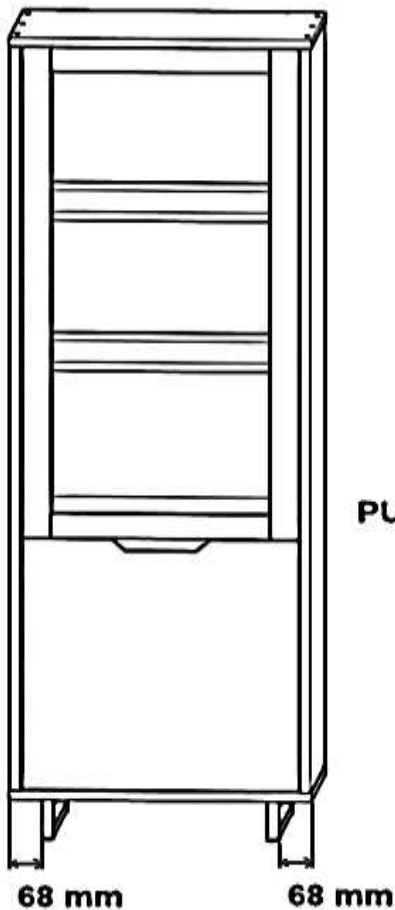
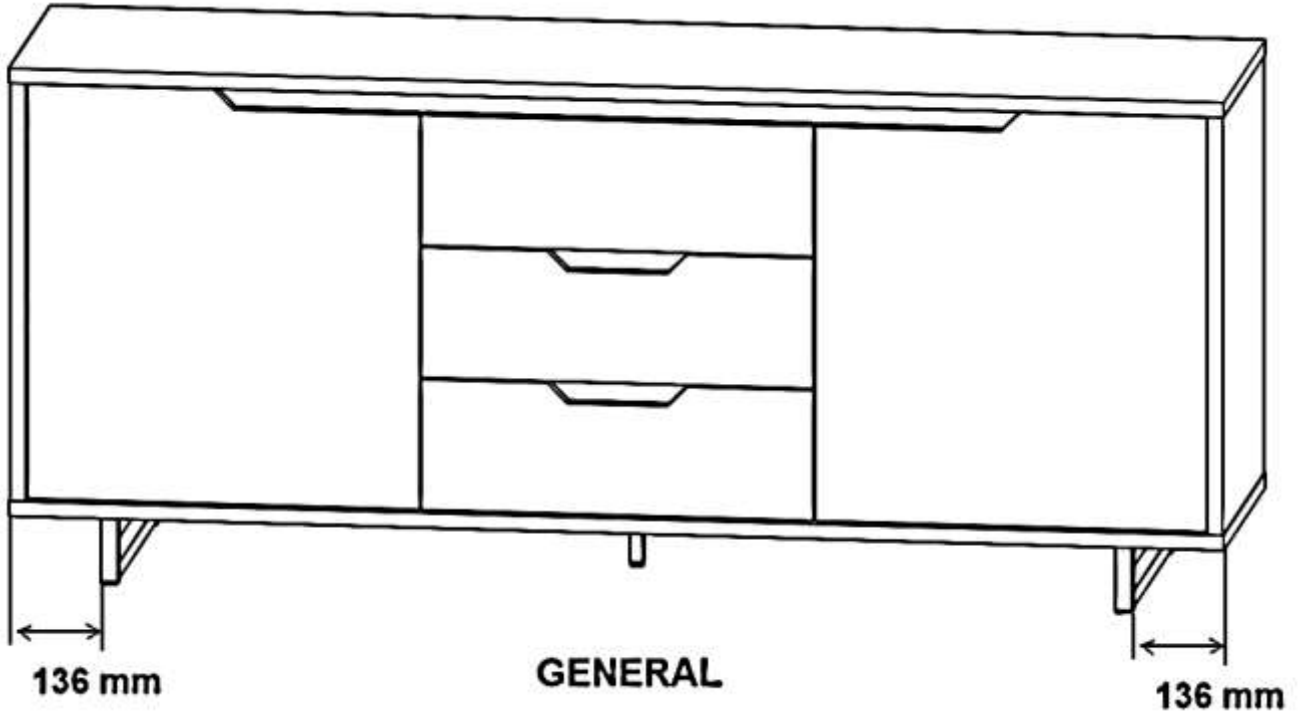


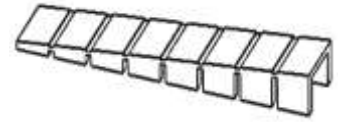


# Puerto





**IF MIDDLE  
LEG**



4x20 = 8 x A

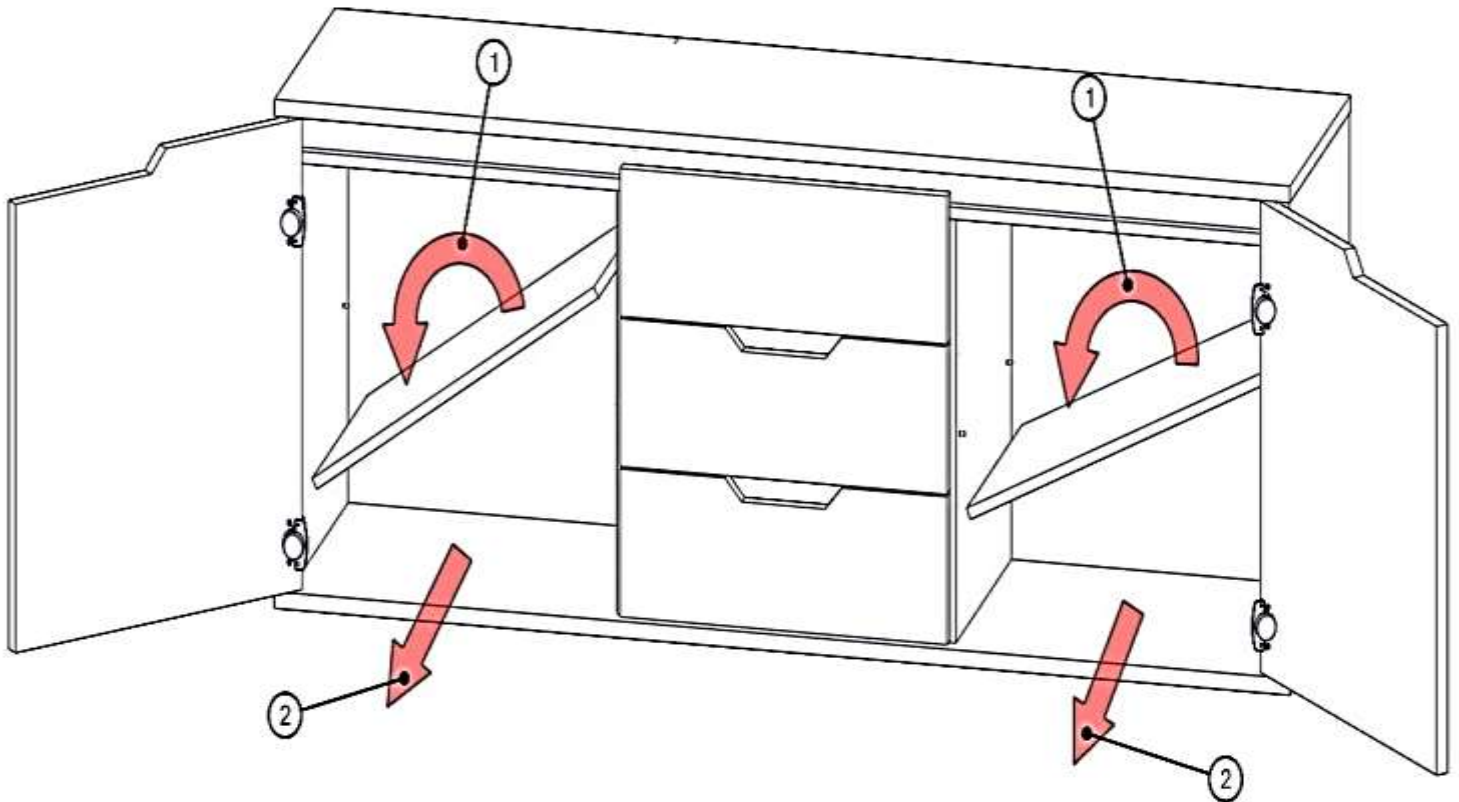
1 X

4x20 = 4 x A

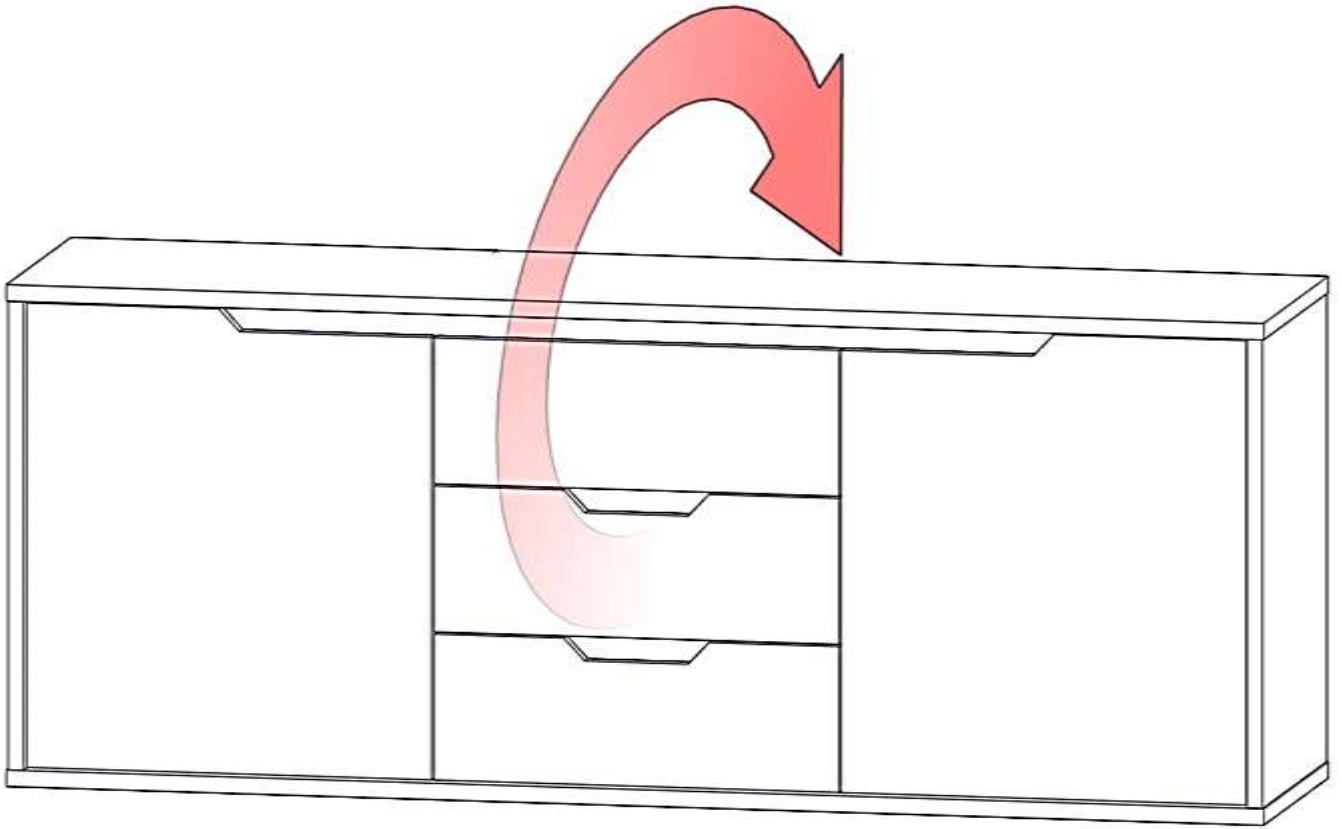
2x

**Puerto AB , BC , DA , GY , XA**

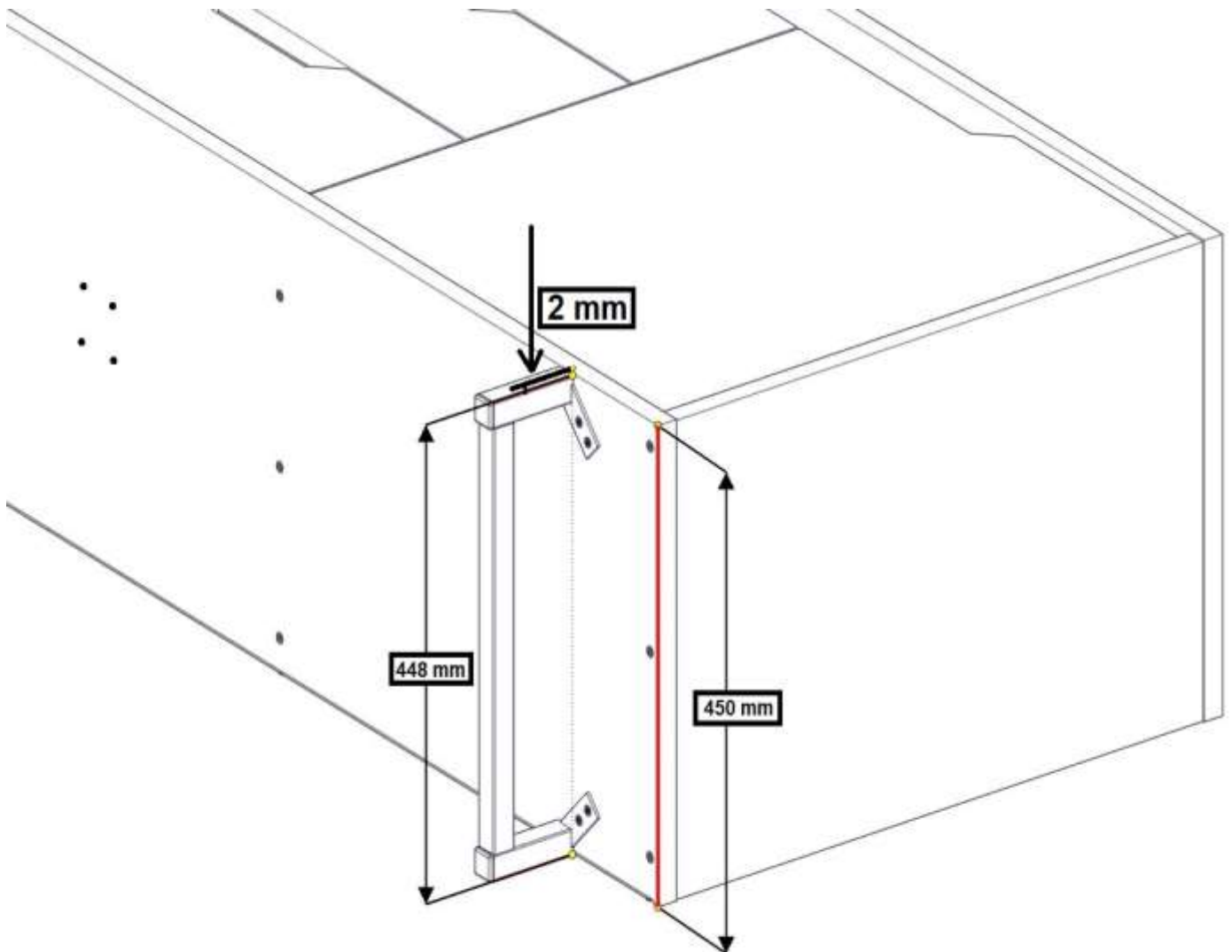
**1.**

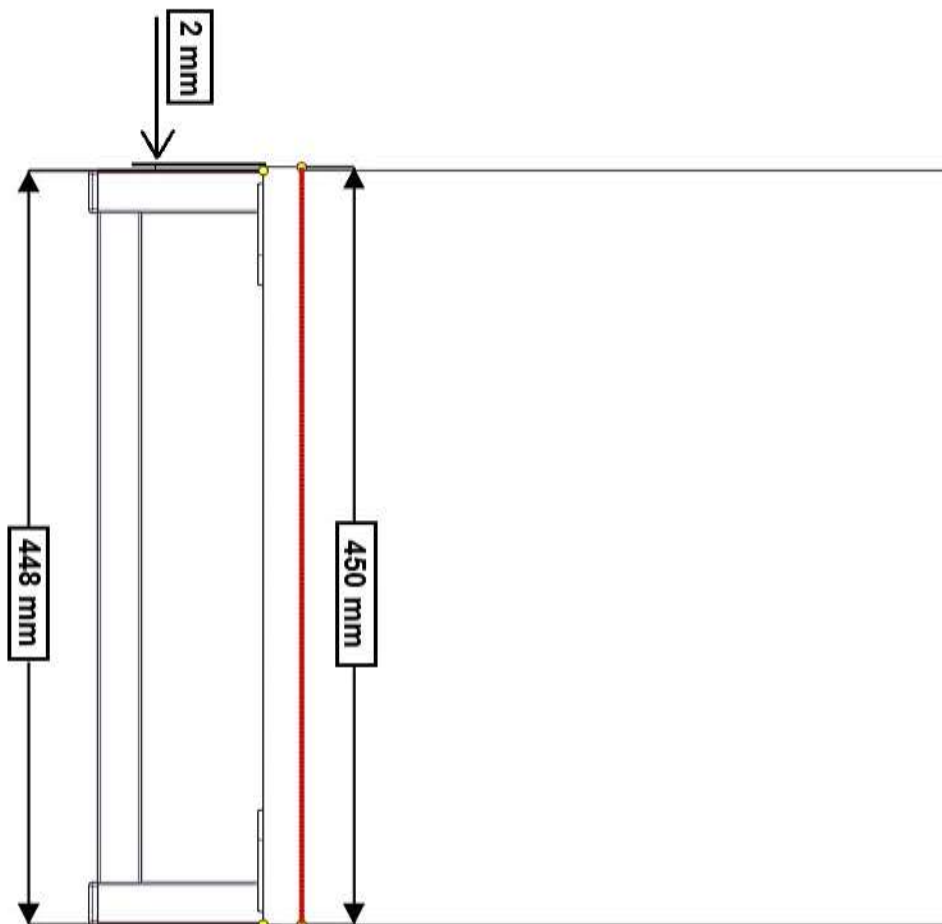
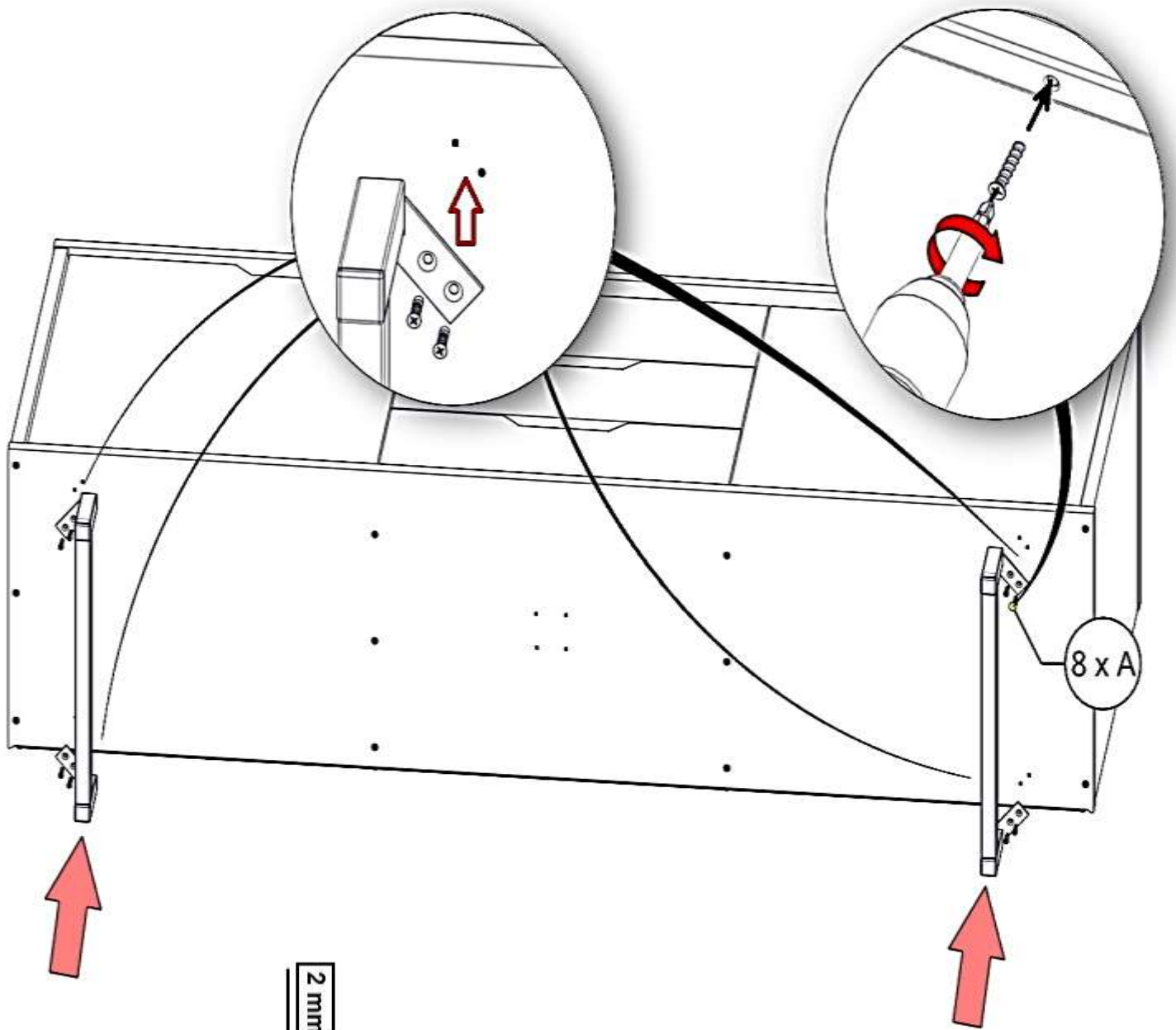


2.

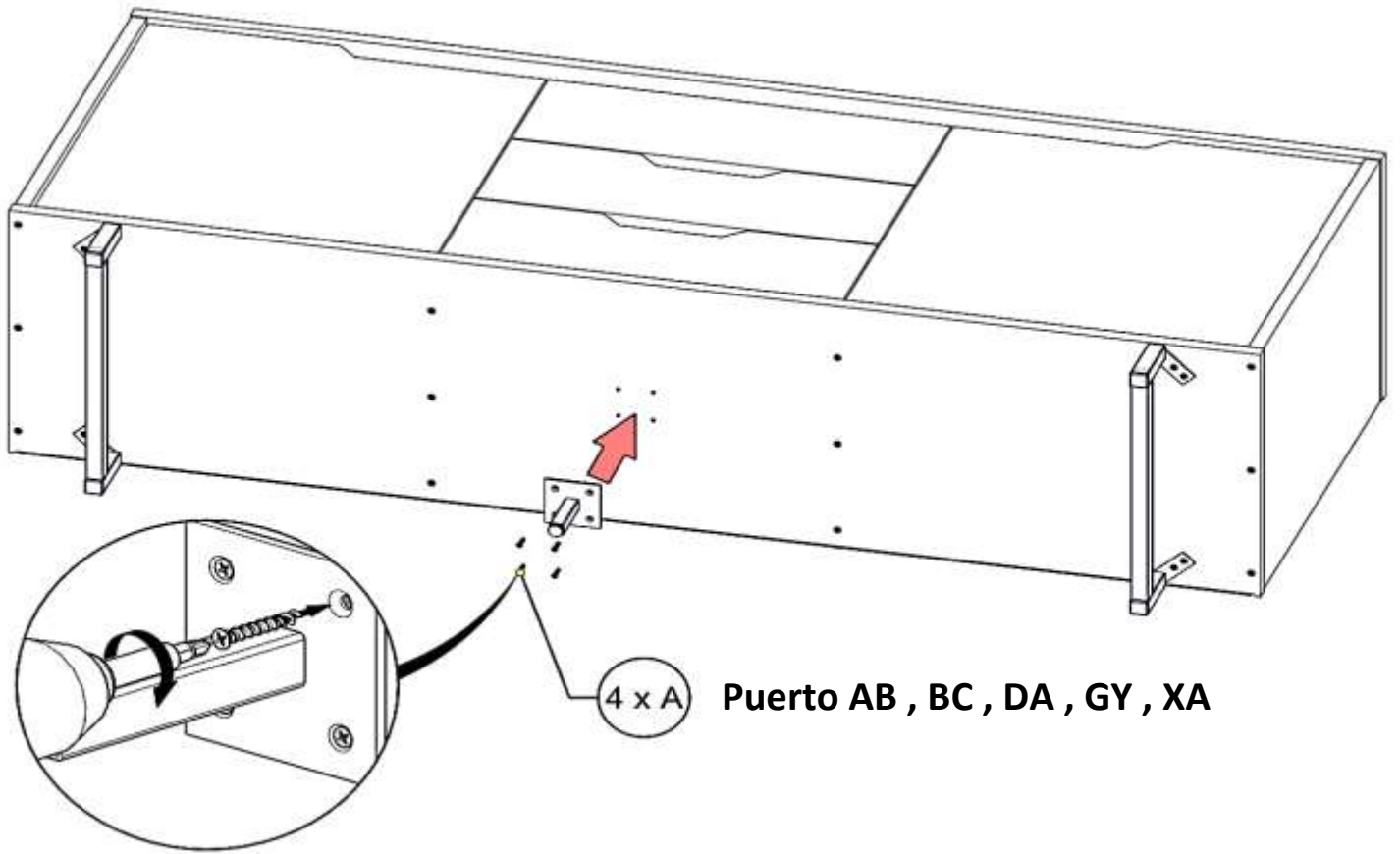


3.

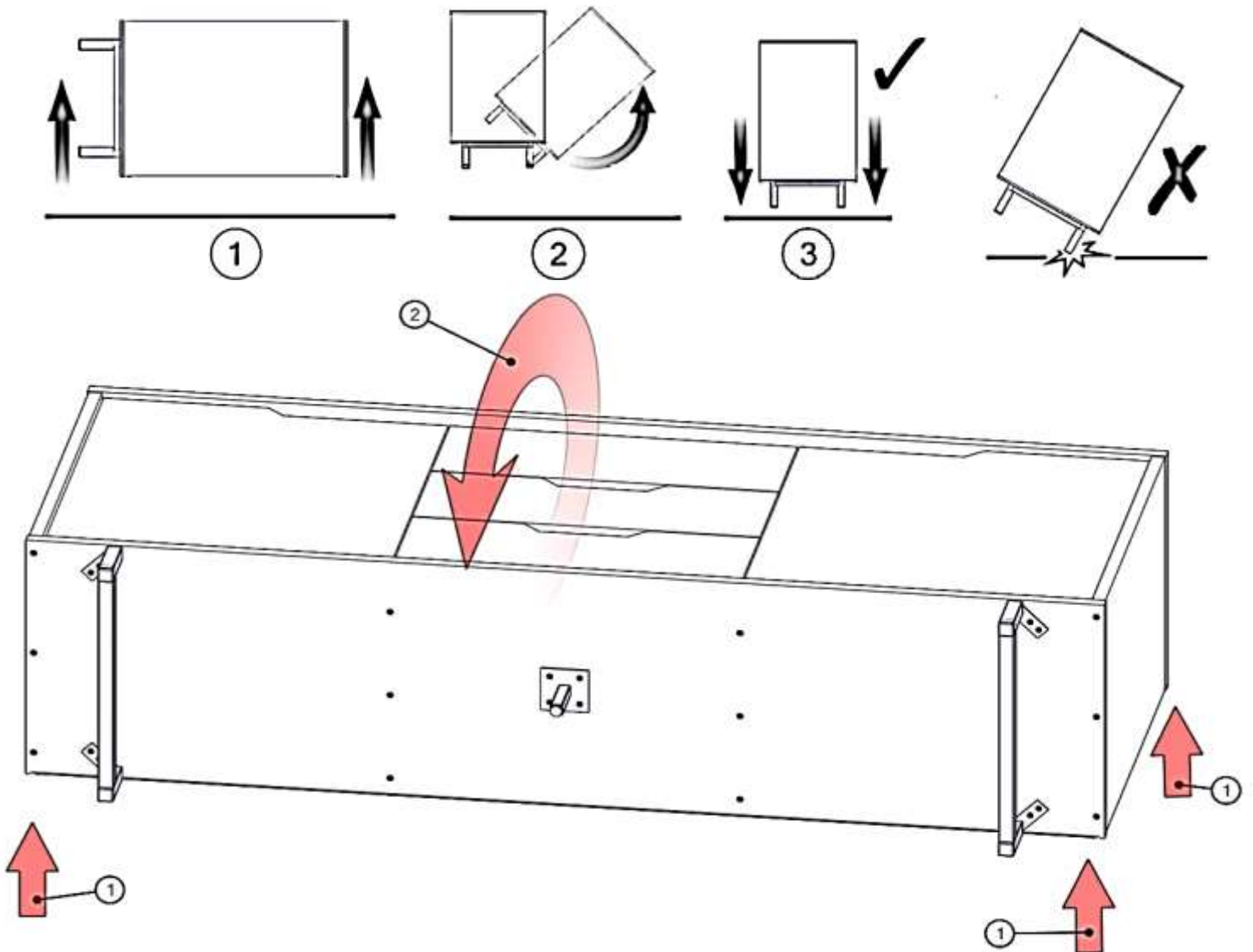




4.

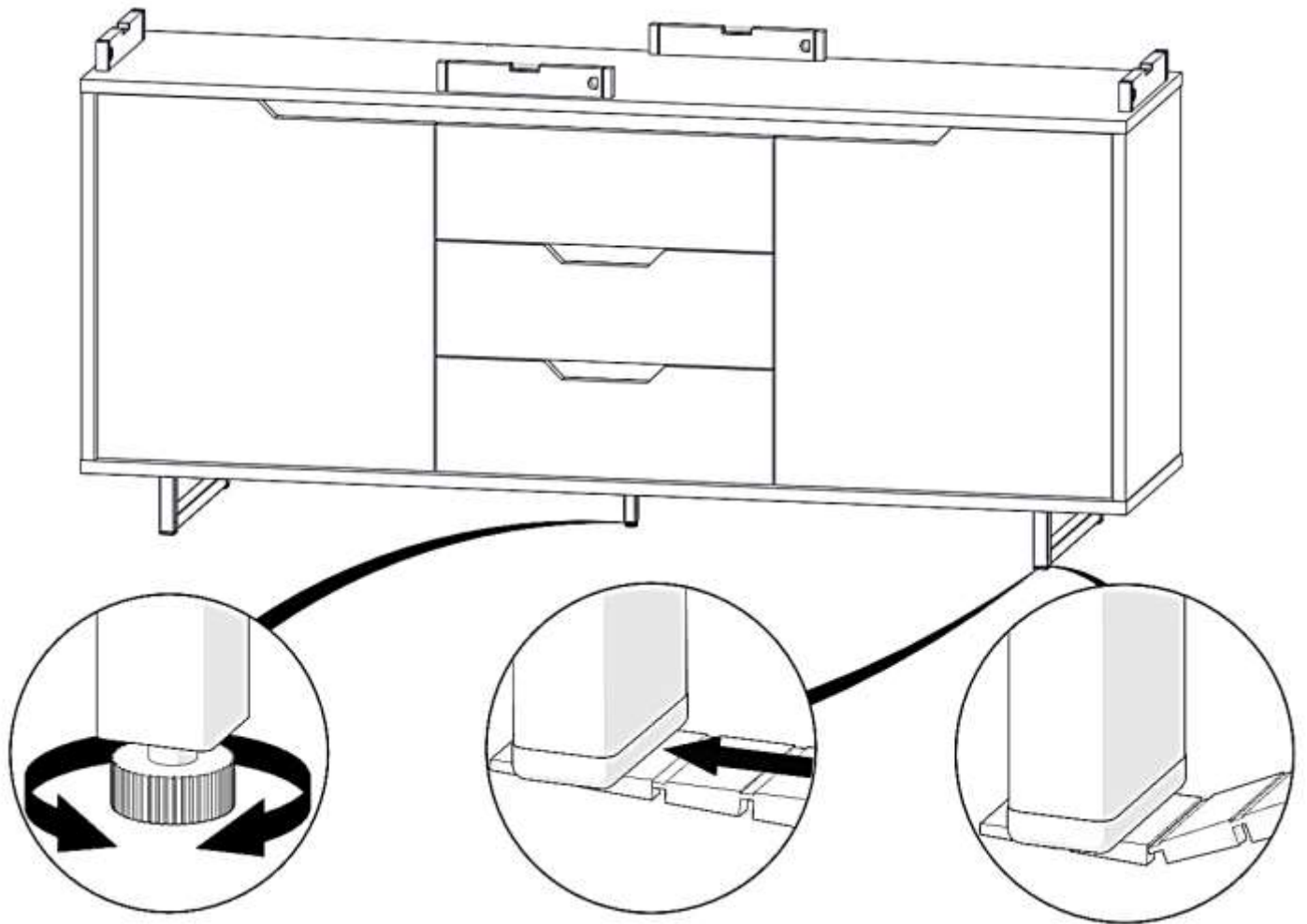


5.



6.

X 2



7.

