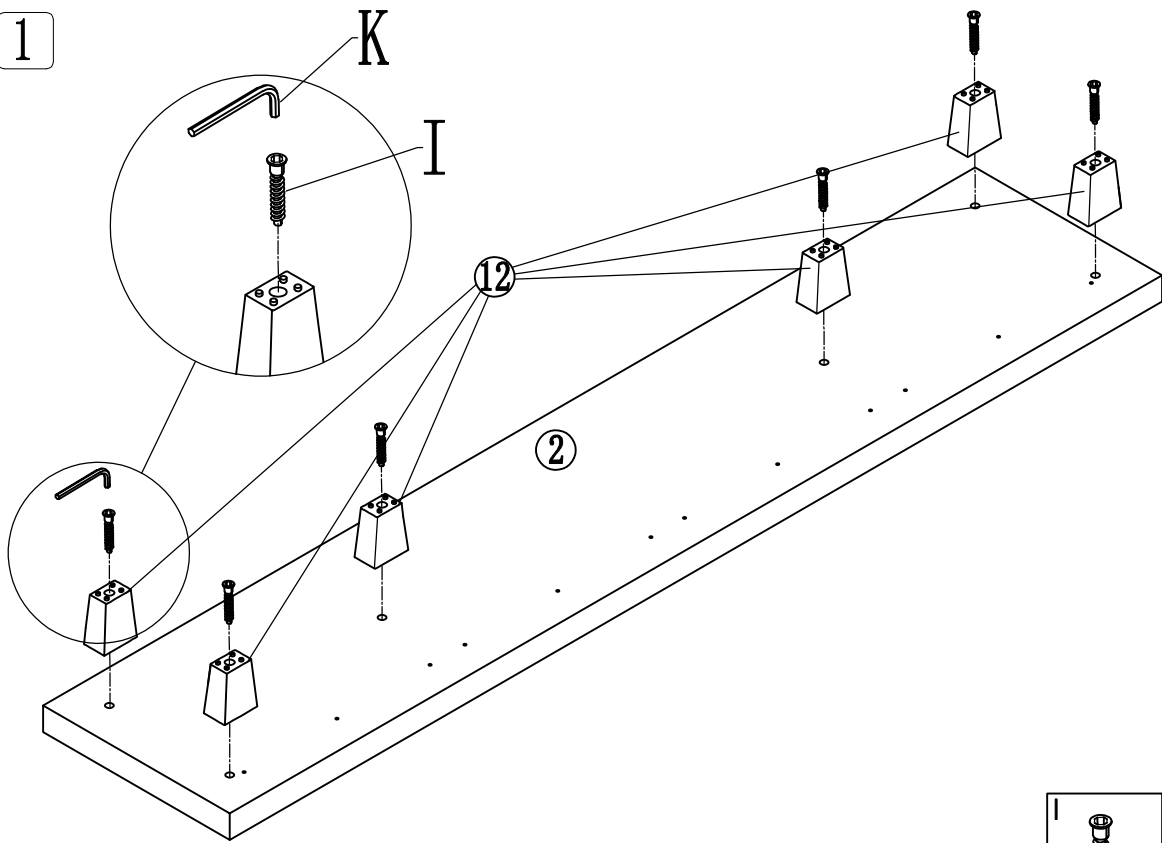




L	M	N	O
X 2	X 2	X 4	X 16

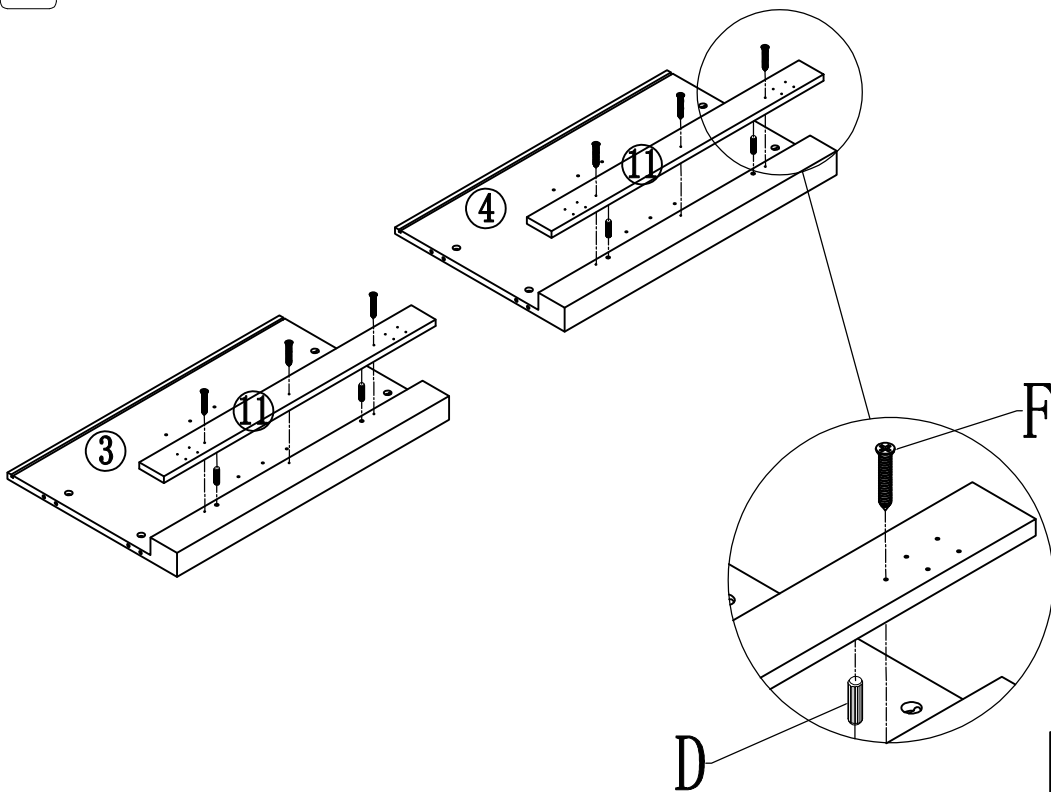
A	B	C	D	E	F	G	H	I	J	K
X 20	X 20	8*40 X 20	8*20 X 20	3.5*15 X 72	4*30 X 30	X 4	X 16	7*50 X 6	X 8	M4 X 1

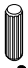

1



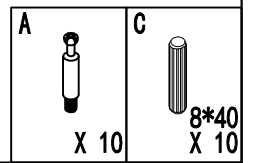
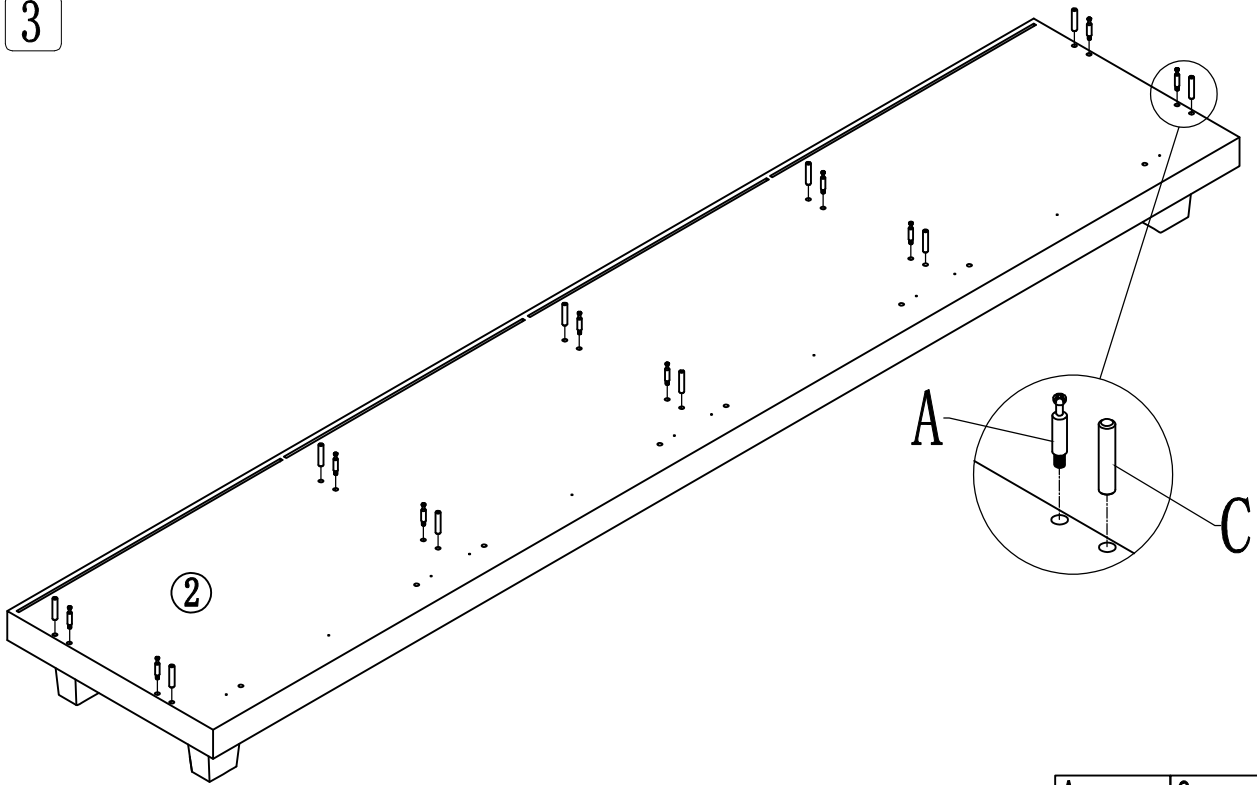
I	K
	
7*50 X 6	M4 X 1

2

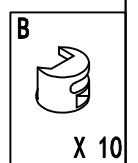
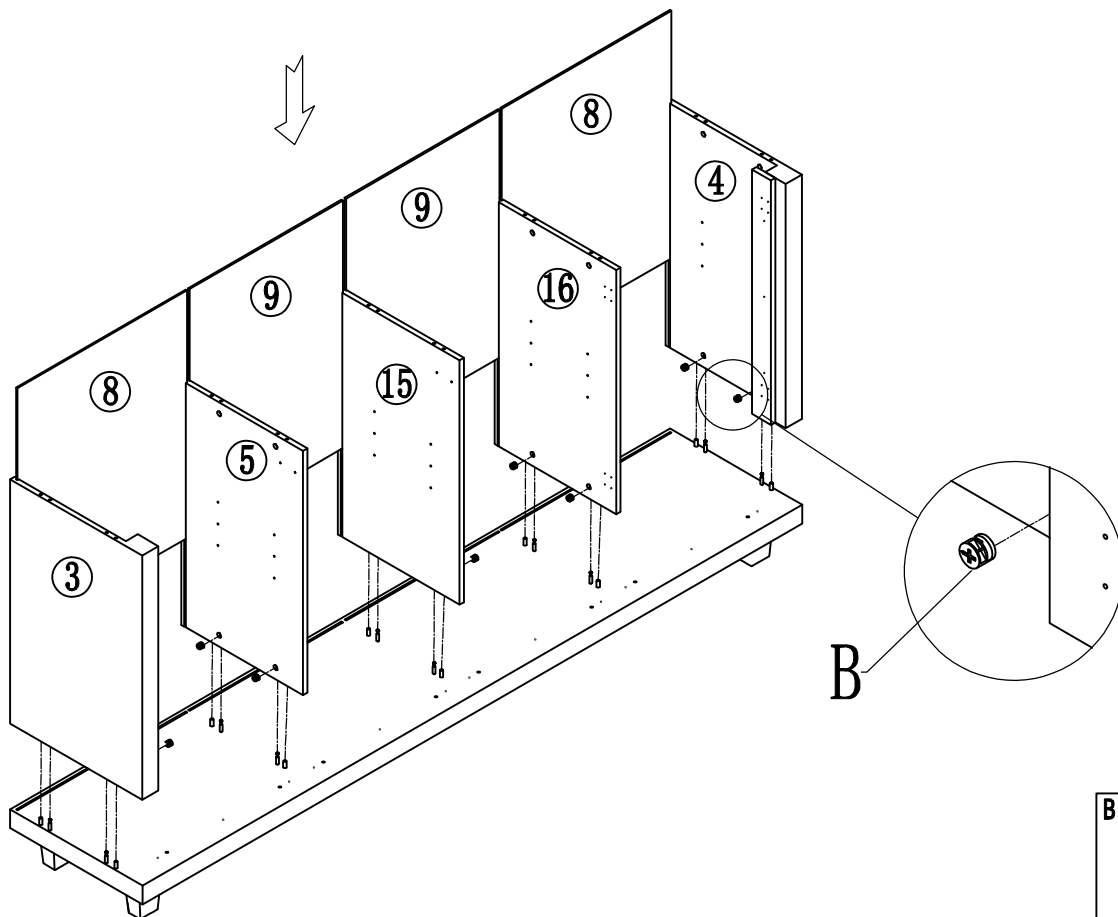


D	F
	
8*20 X 4	4*30 X 6

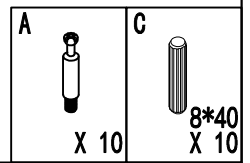
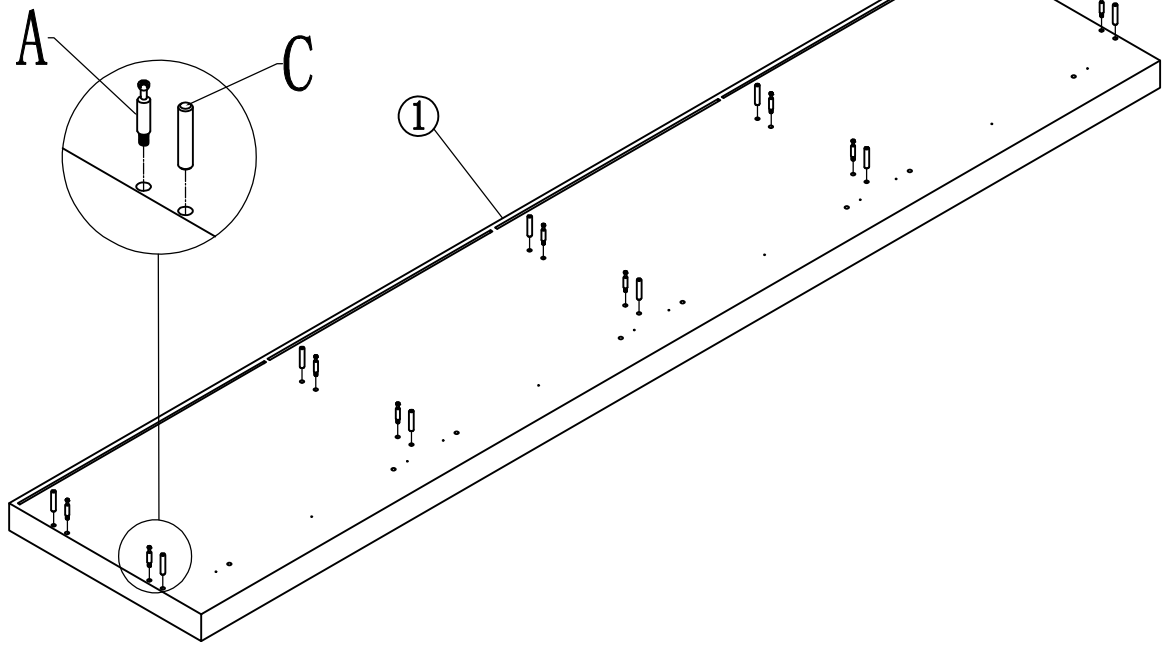
3



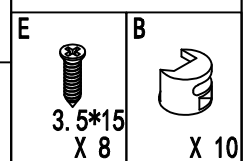
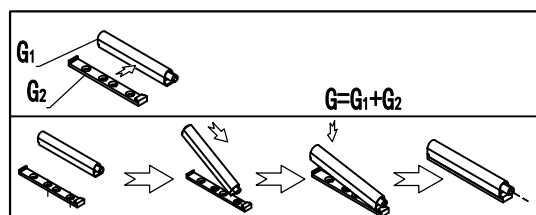
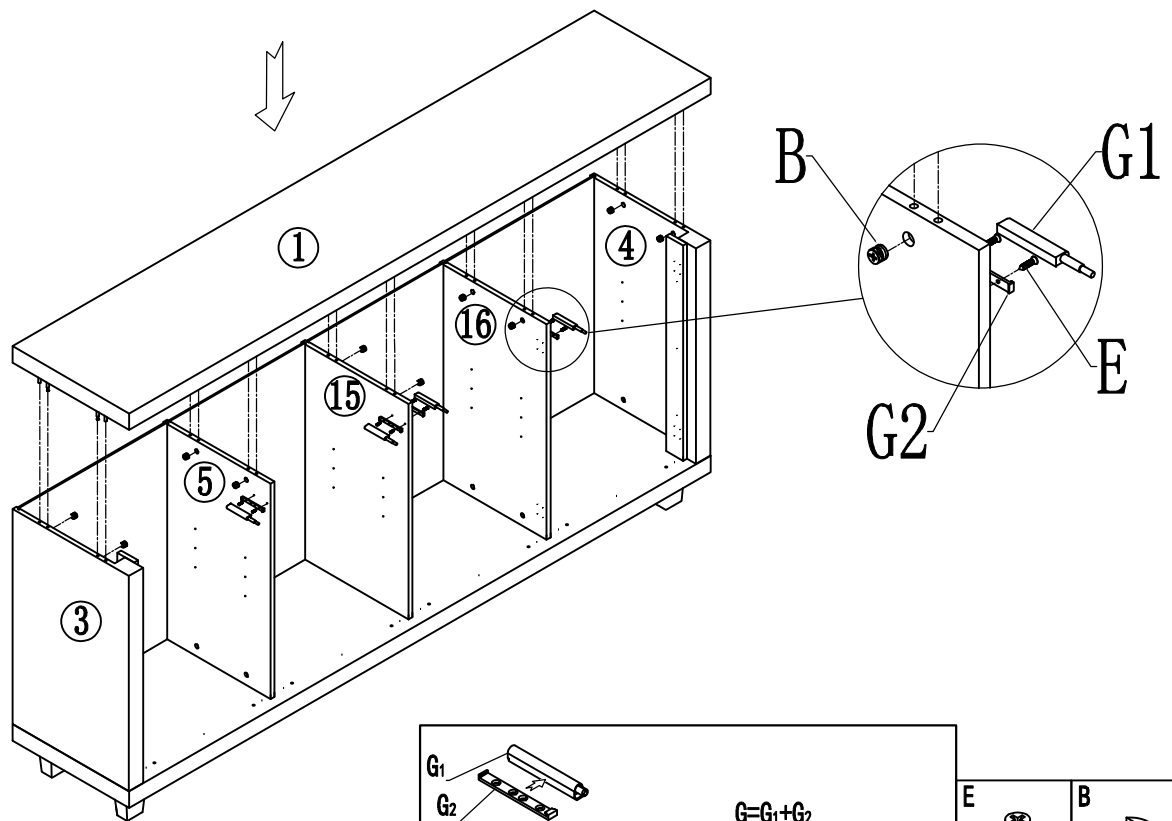
4



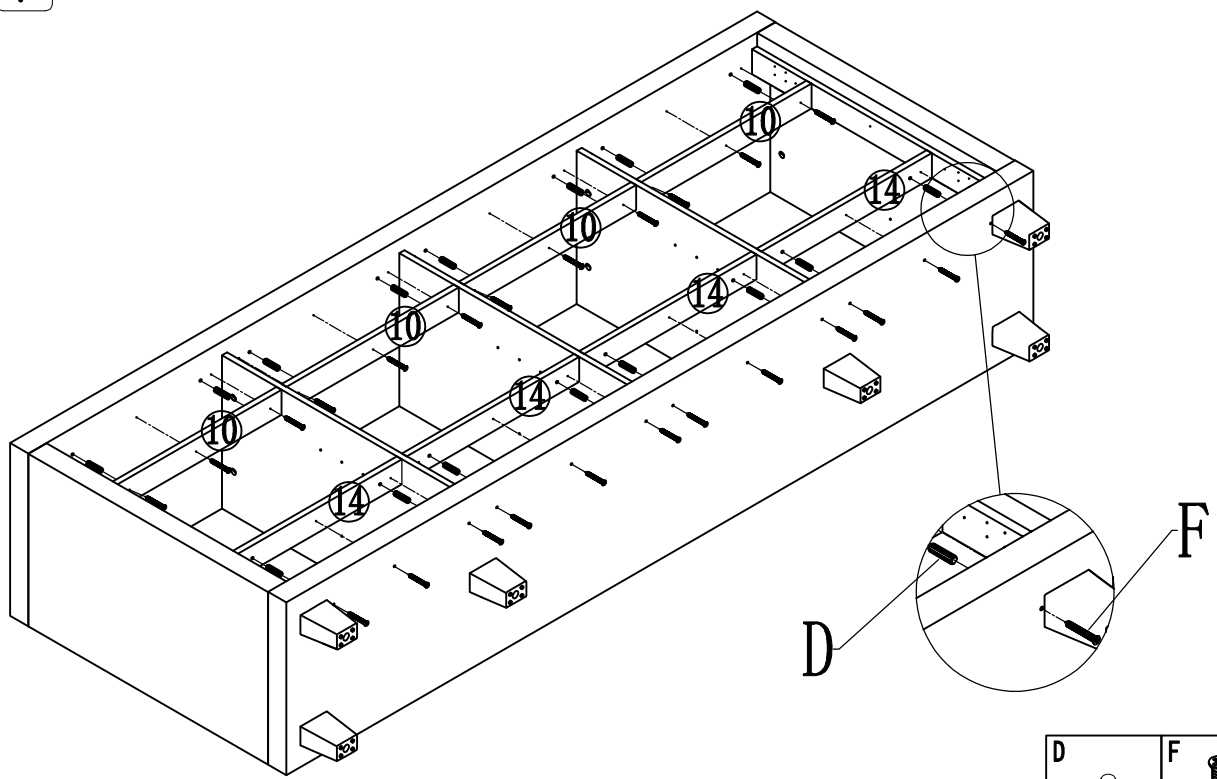
5





6

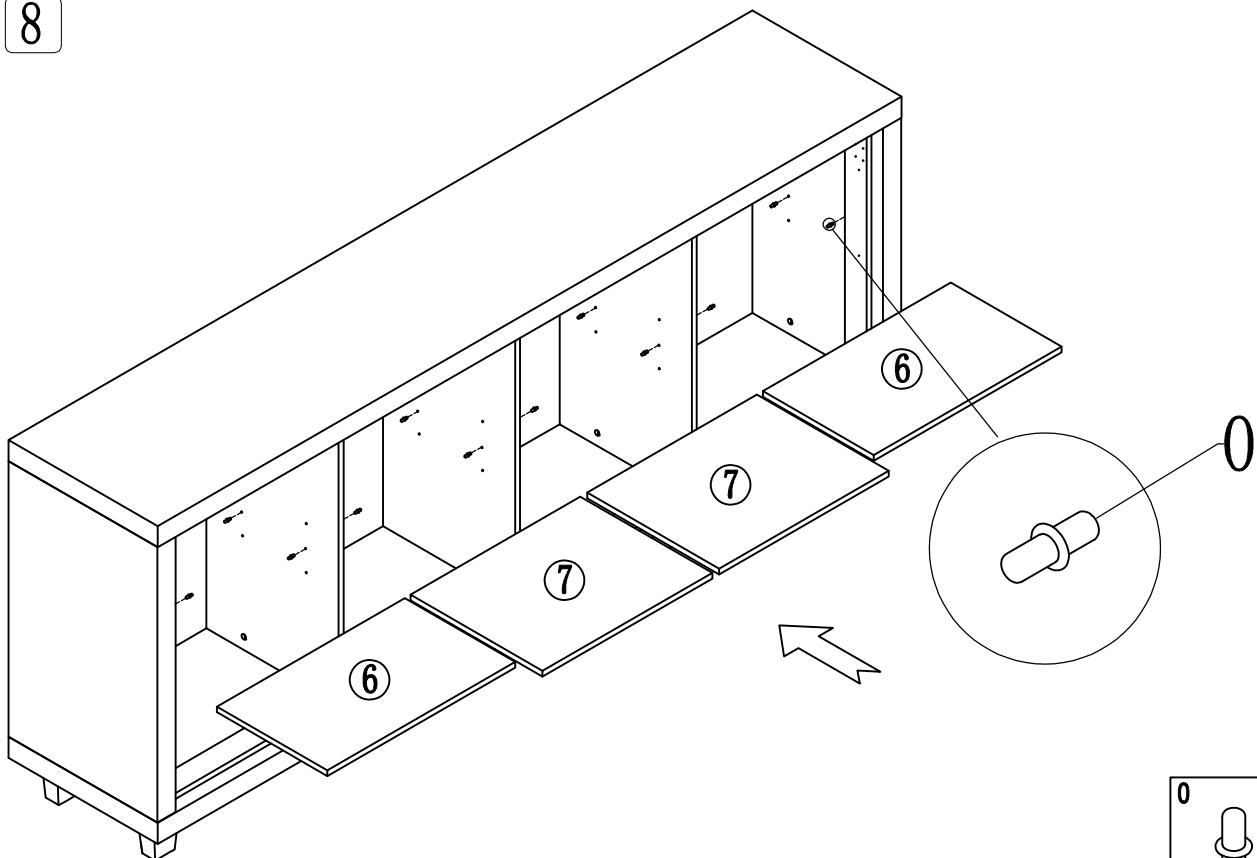



7



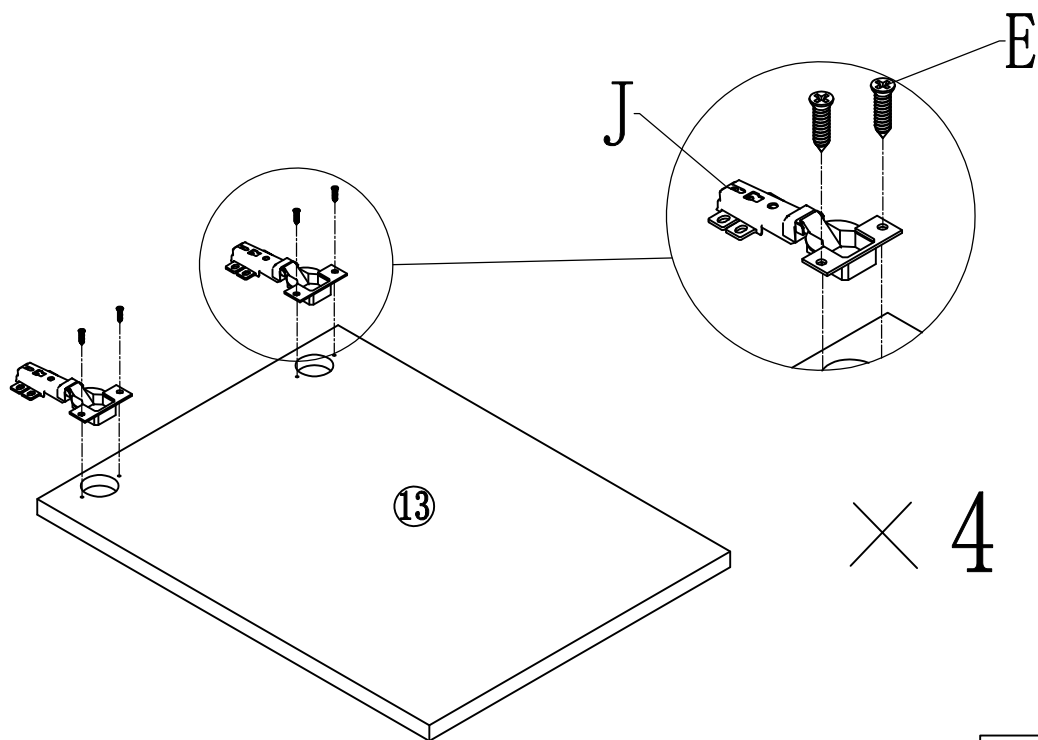
D	F
	
8*20 X 16	4*30 X 24


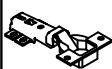
8



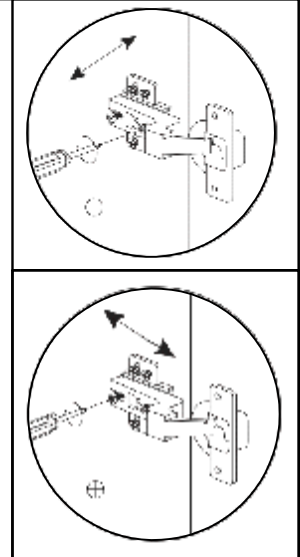
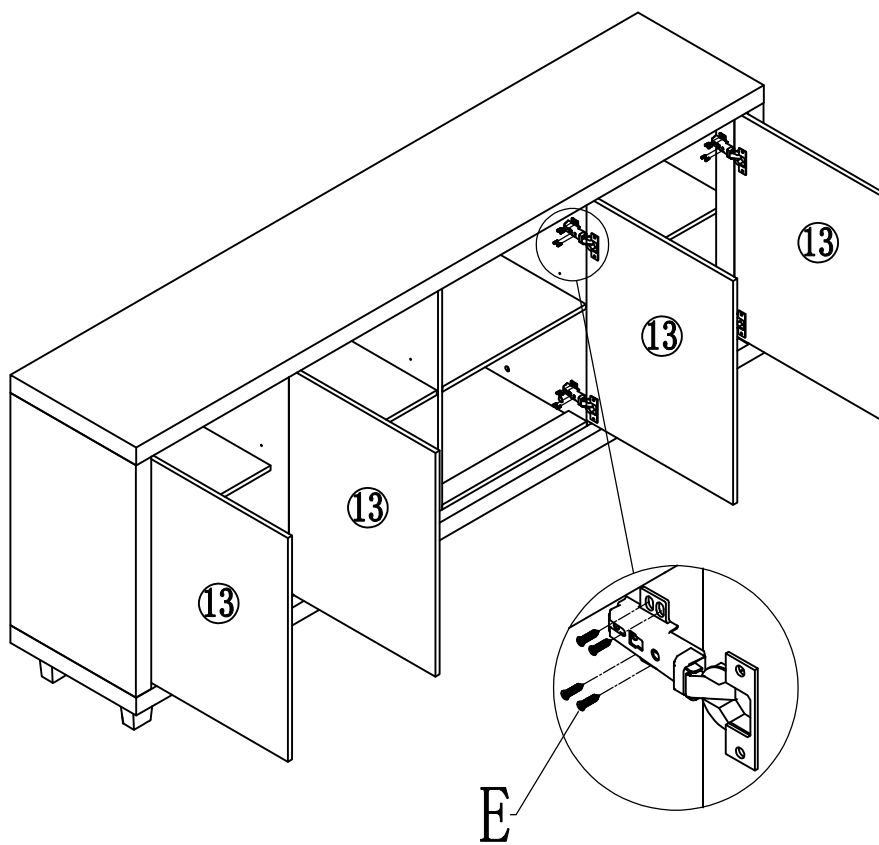
O

X 16


9



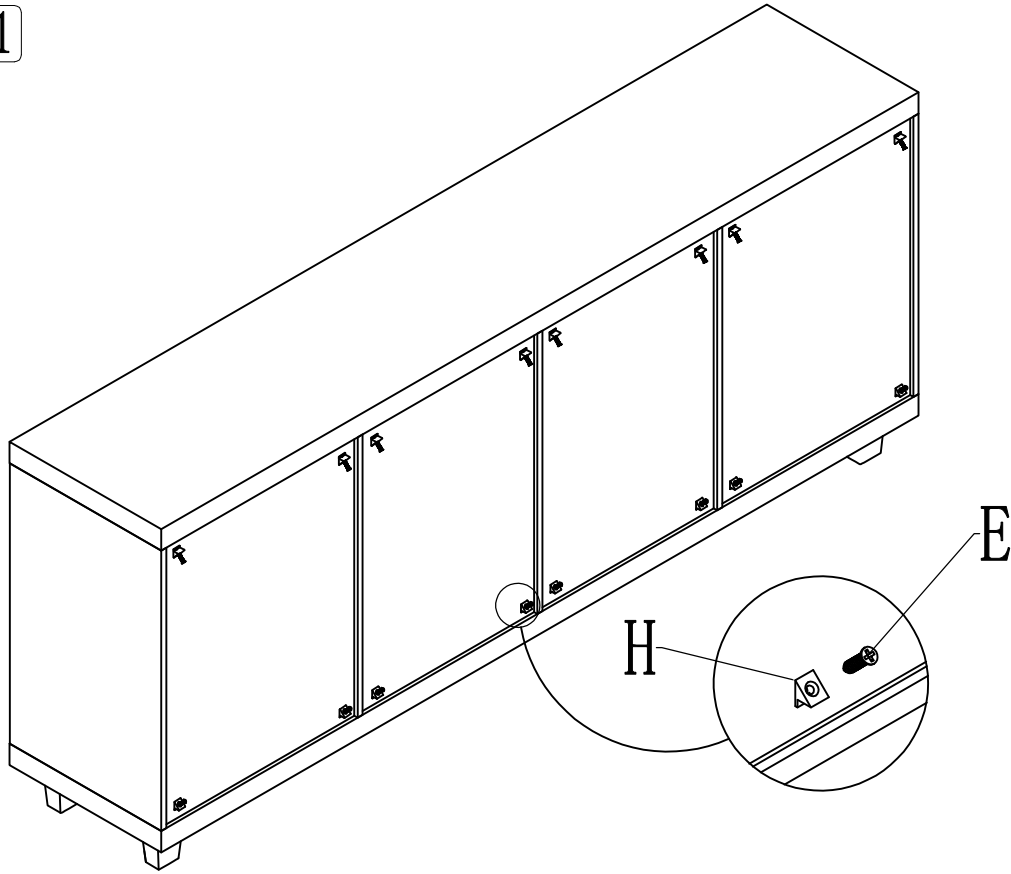
E	J
	
3.5*15 X 16	X 8



10



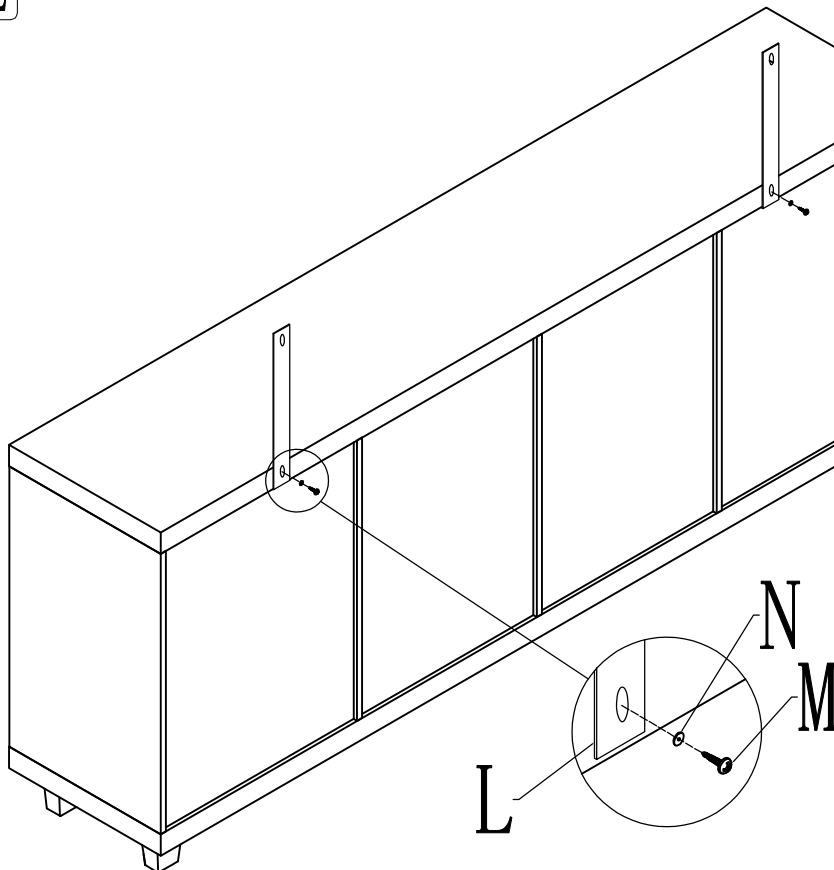
E

3.5*15 X 32




11



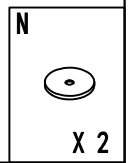
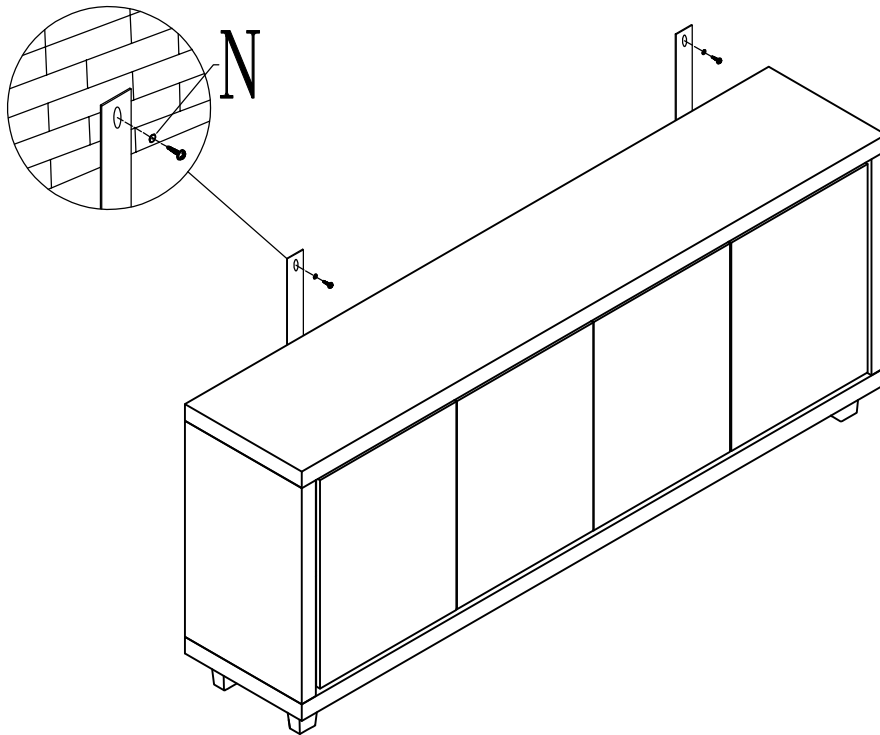
E	H
	
3.5*15 X 16	X 16

12



L	M	N
		
X 2	X 2	X 2

13



14

