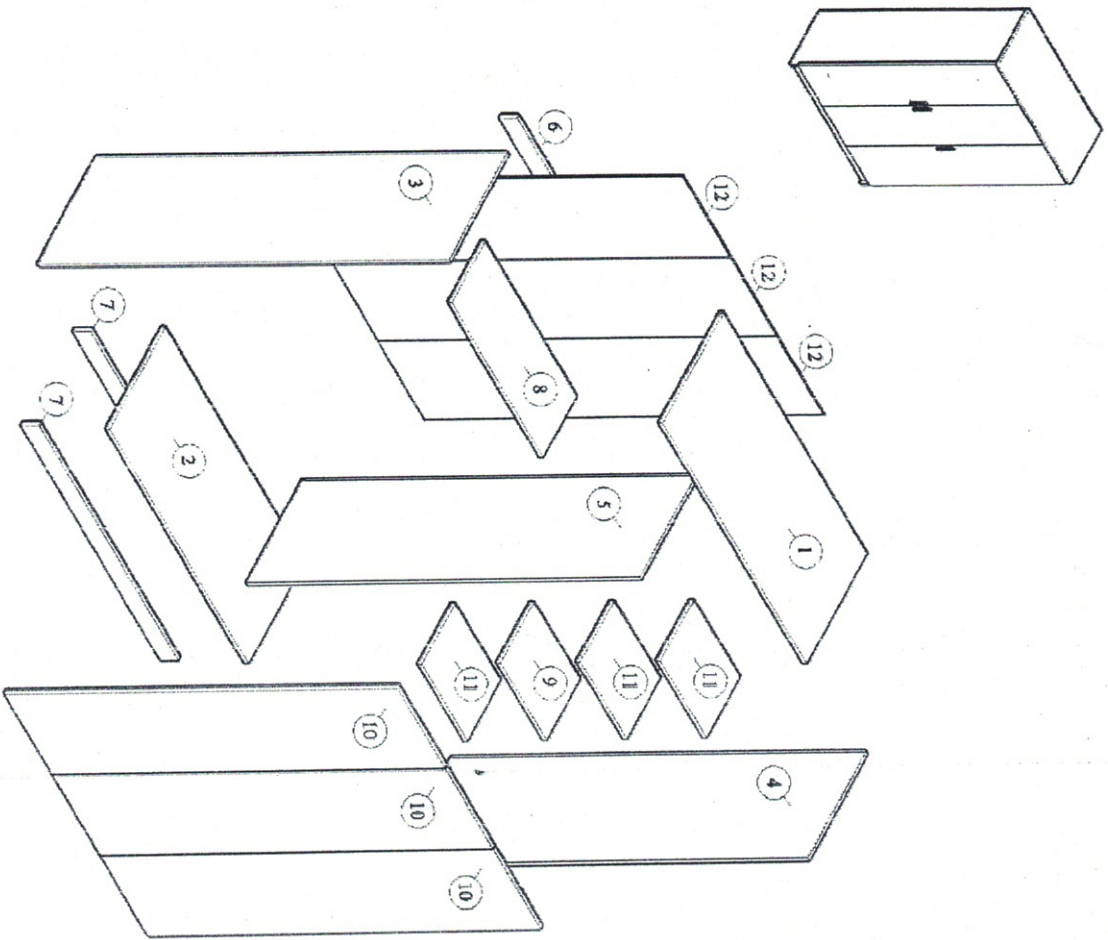


6310-2

MODEL : SE WR 7082RSU-HO

POSITION & PARTS NUMBER

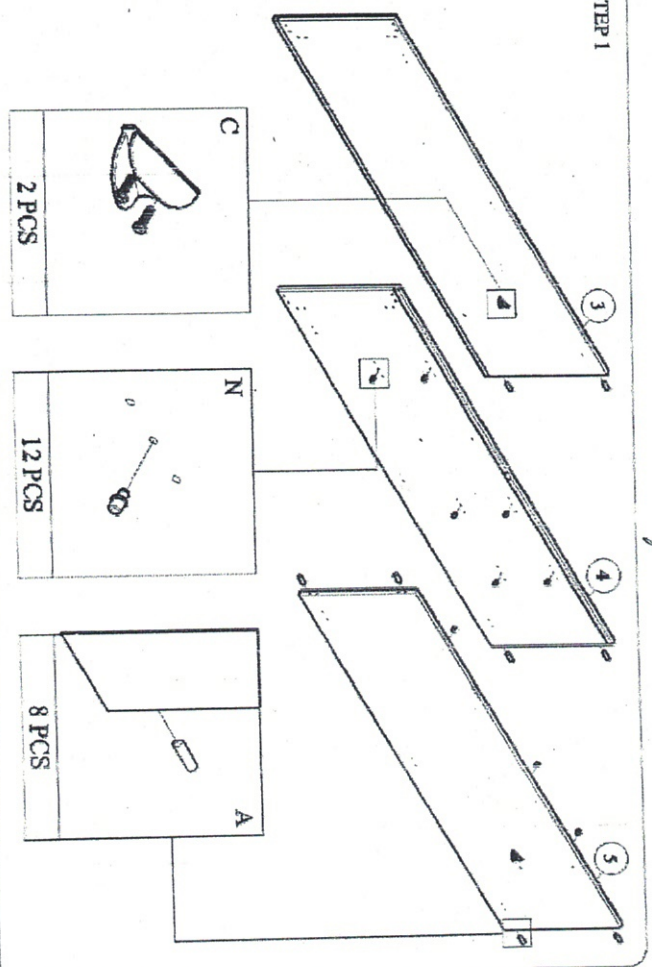


ACCESSORIES	QUANTITY
A WOOD DOWEL M8x30MM	22 PCS
B i) SCREW M6x50MM ii) SCREW CAPS	22 PCS 10 PCS
C V-BRACKET SCREW M3.5x16MM	2 PCS 4 PCS
D STOPPER INSERT	2 PCS
E HINGES 5/8" SCREW M3.5x16MM	9 PCS 54 PCS
F L-SHAPB LEG SCREW M3.5x16MM	4 PCS 8 PCS
G RECTANGLE LEG SCREW M3.5x16MM	2 PCS 4 PCS
H PVC HANDLE SCREW M4x30MM	3 PCS 6 PCS
I PVC L-BRACKET SCREW M3.5x16MM	2 PCS 8 PCS
J PVC "H" RAIL	2 PCS
K HANGING STEEL	1 PC
L POWER PIN	15 PCS
M SCREW M3x12MM	6 PCS
N IRON SHELF SUPPORT	12 PCS
O ALLEN KEY	1 PC

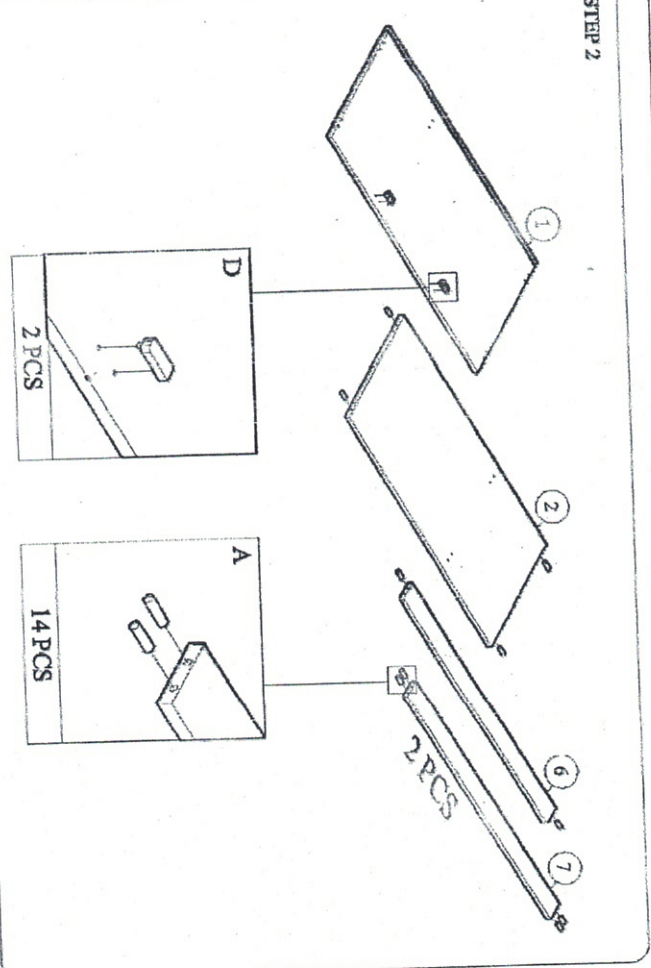
CHEMICAL	HANDLE WITH CARE	KEEP DRY	HARD SURFACE

START ASSEMBLY

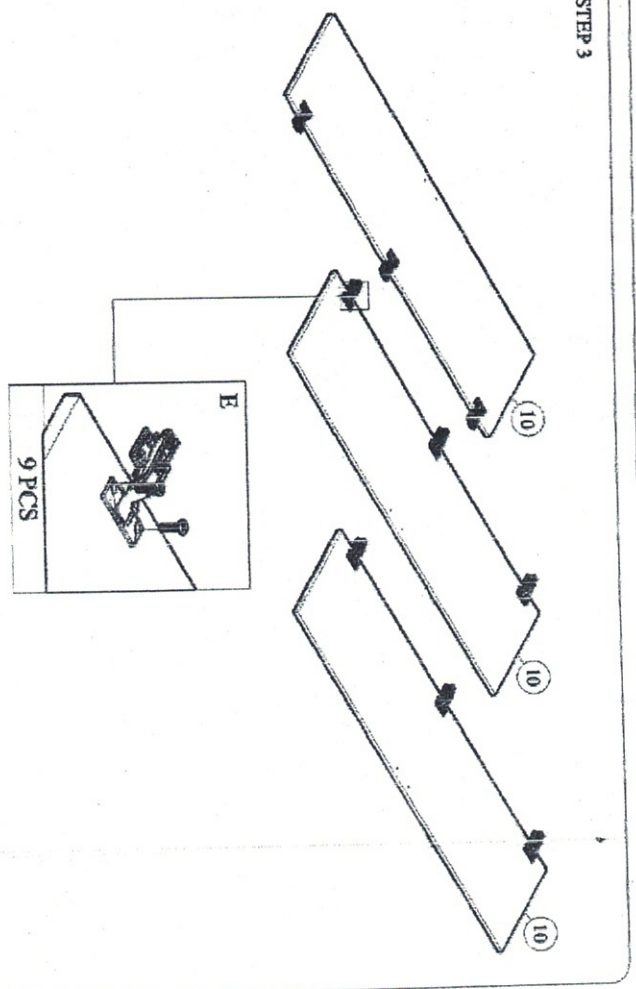
STEP 1



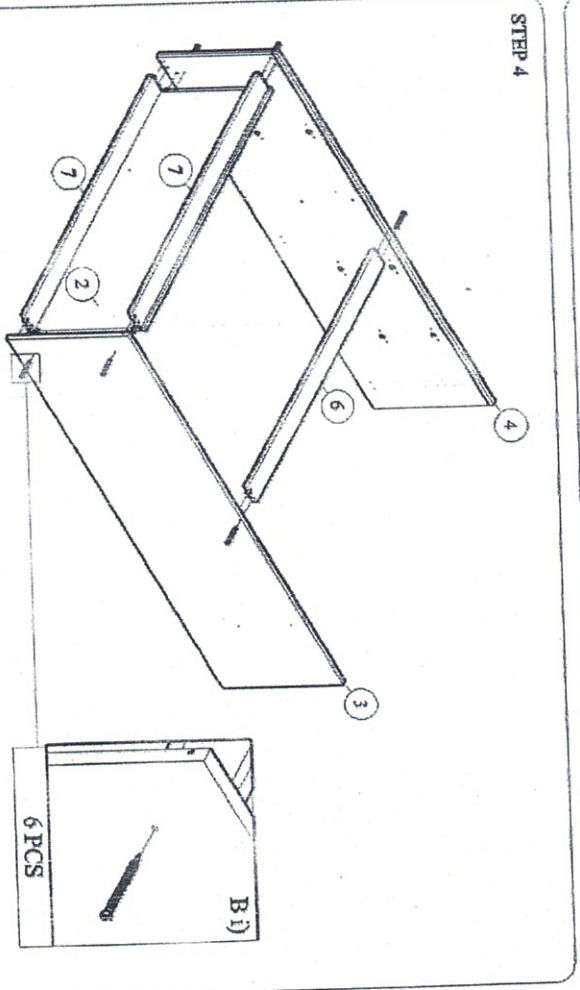
STEP 2



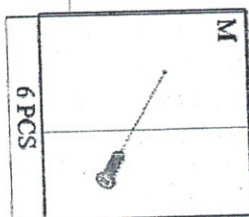
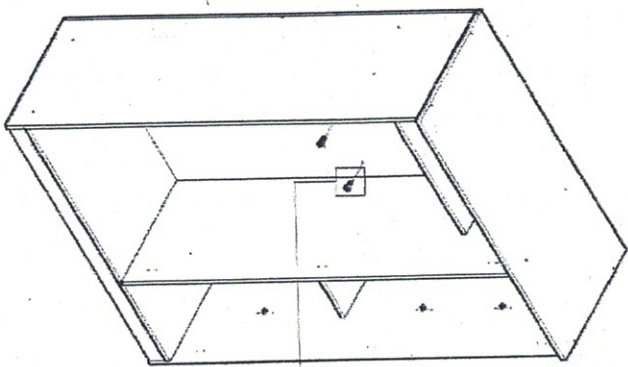
STEP 3



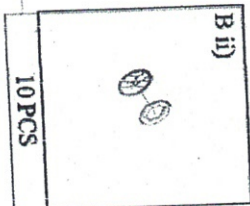
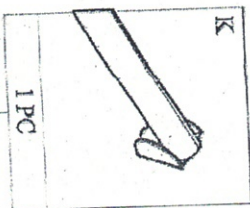
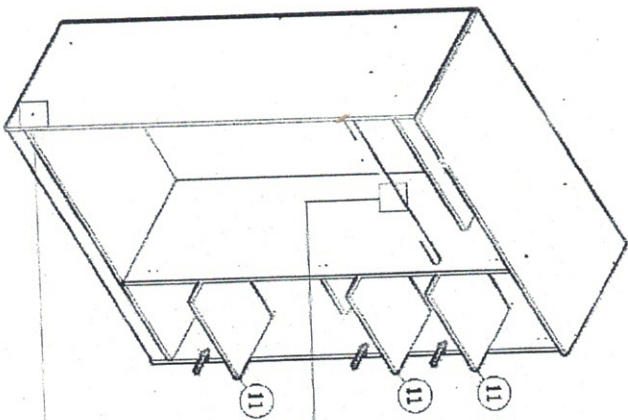
STEP 4



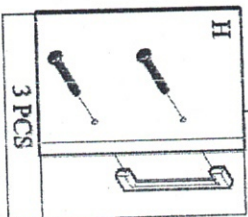
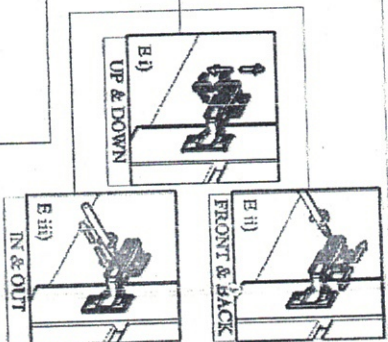
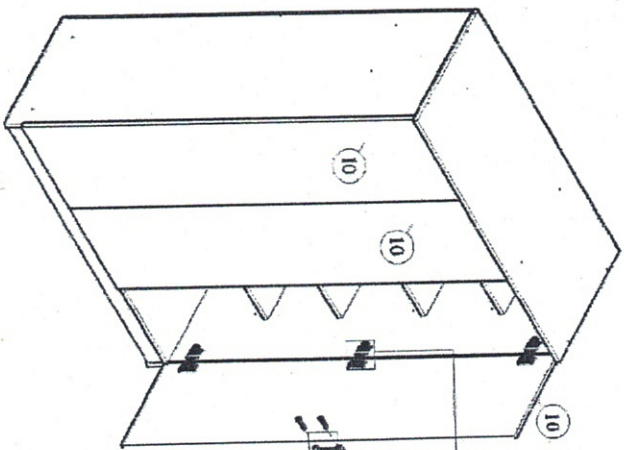
STEP 9



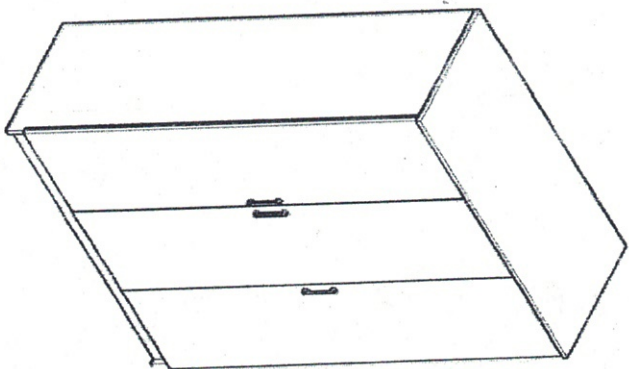
STEP 10



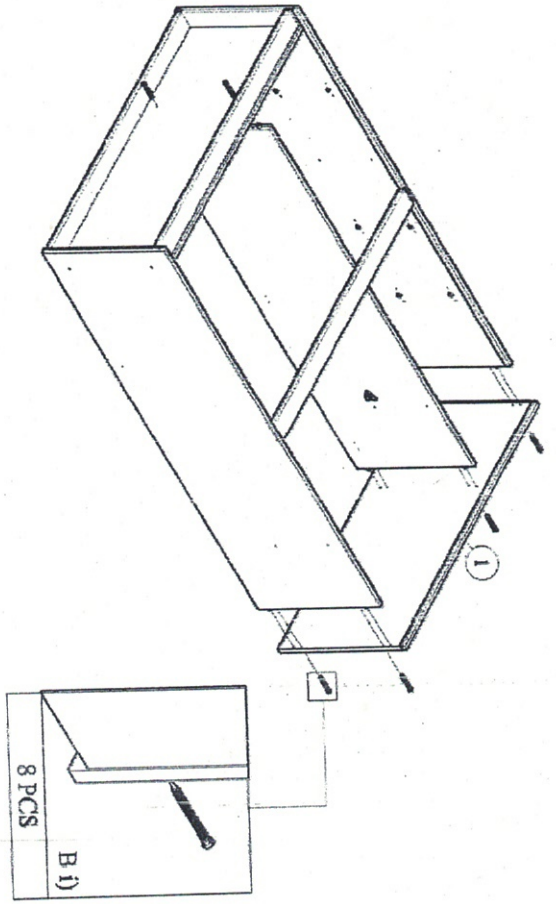
STEP 11



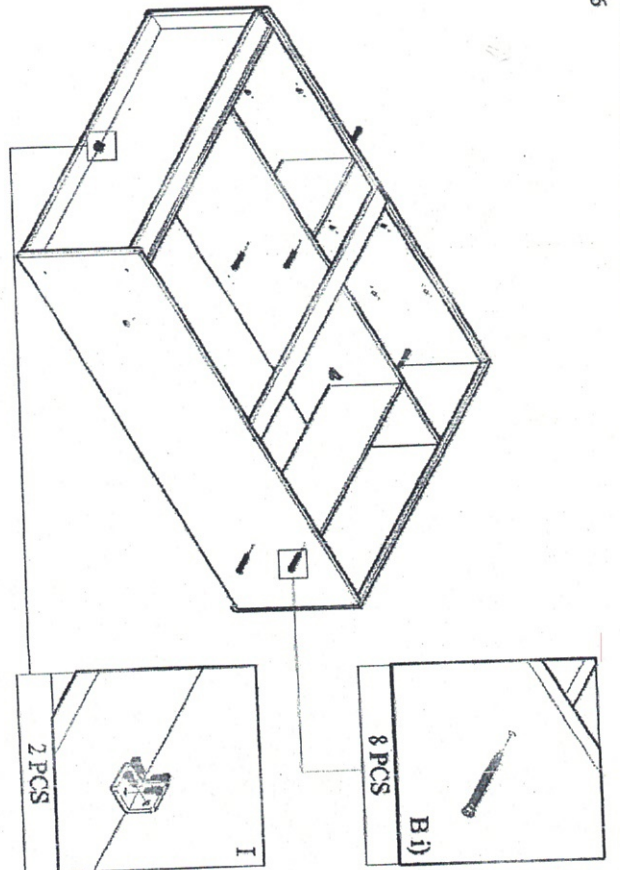
COMPLETED



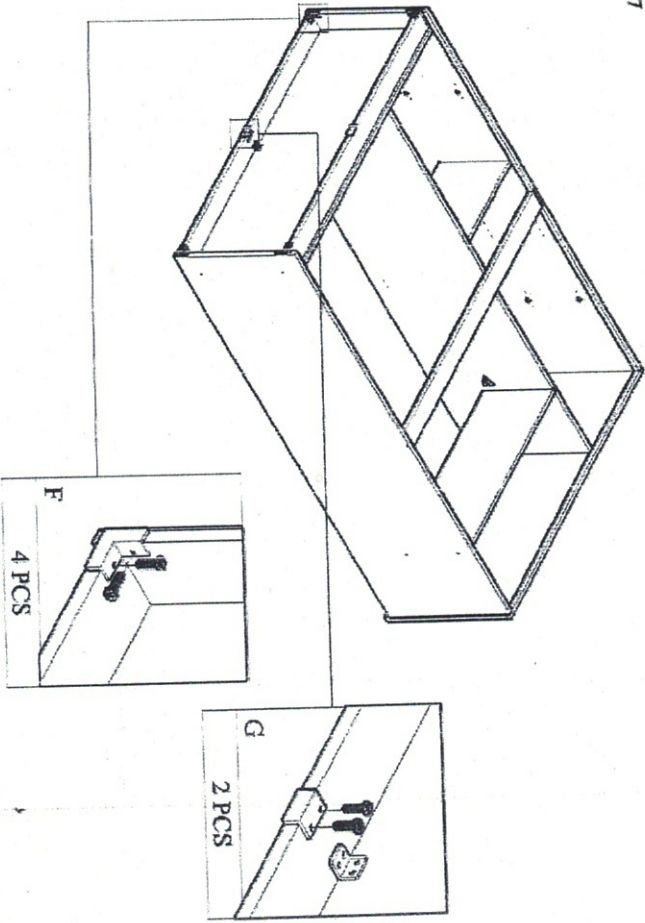
STEP 5



STEP 6



STEP 7



STEP 8

