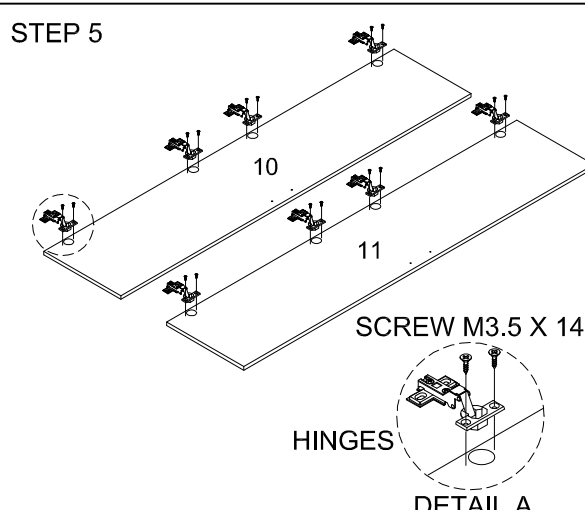
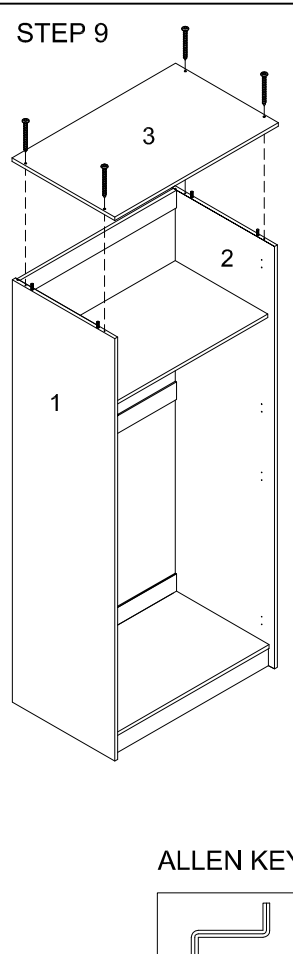
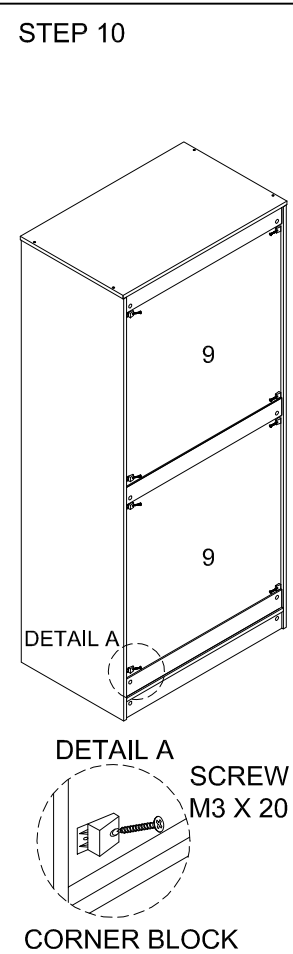






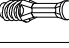

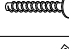







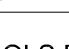
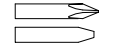
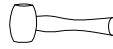
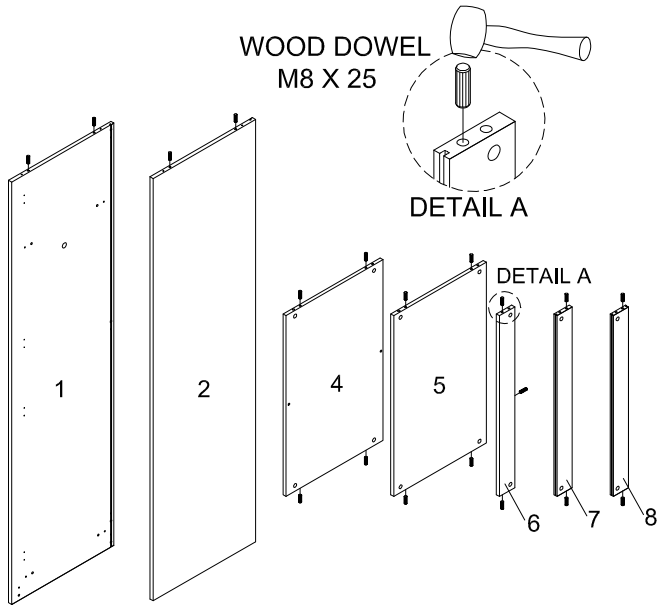
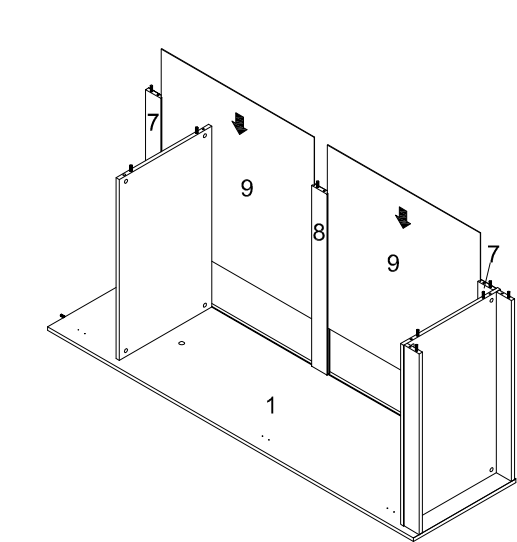
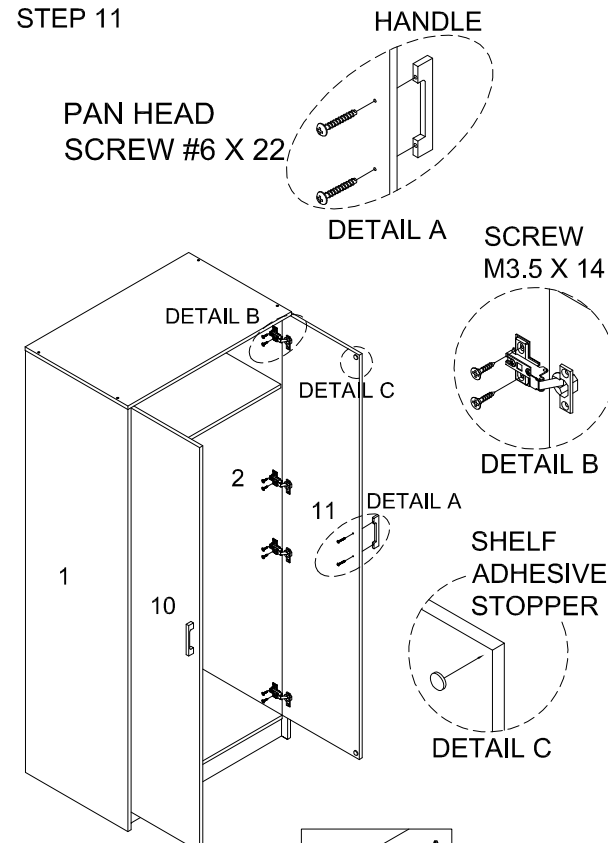
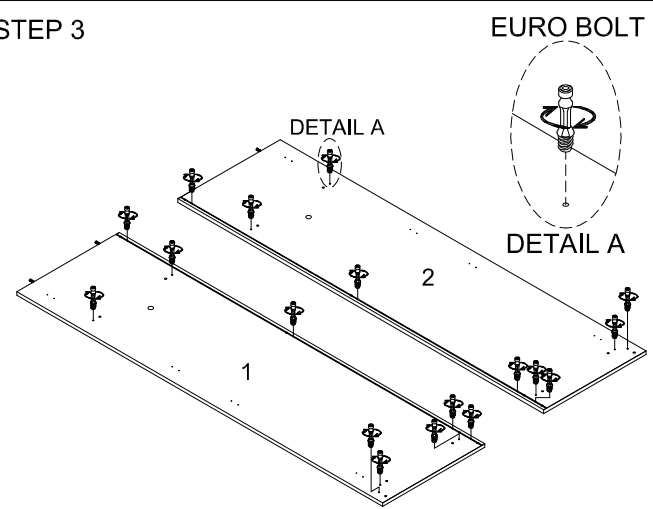
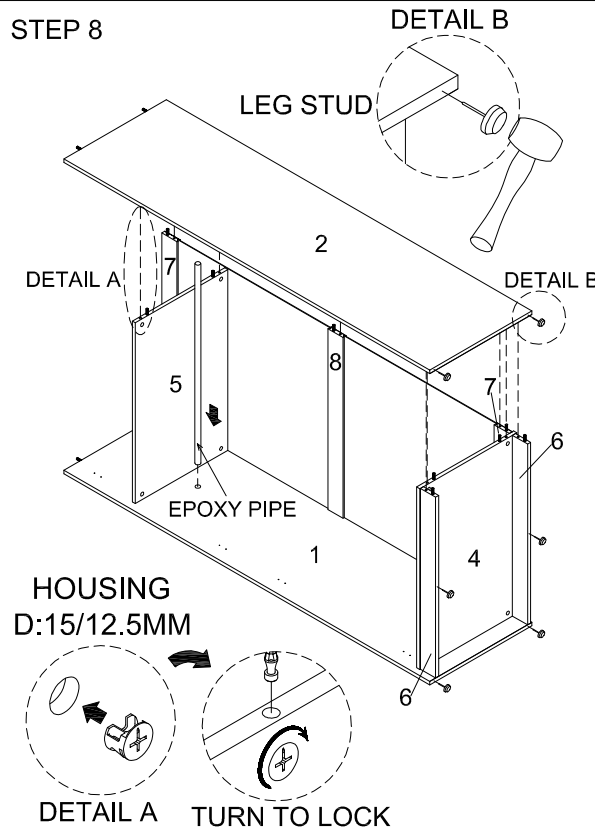
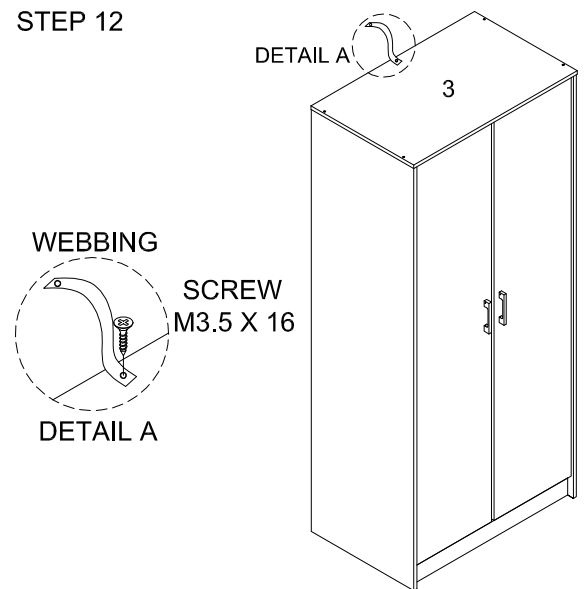
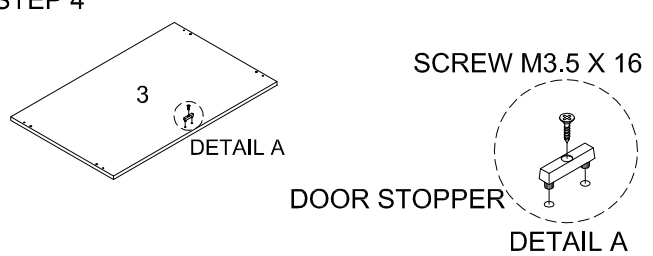


# ASSEMBLING INSTRUCTIONS

## CAUTION :

THIS ITEM IS MADE OF LAMINATED PARTICLE BOARD AND MEDIUM DENSITY FIBRE BOARD TO BE ASSEMBLED ON A DRY, SOFT, SMOOTH AND CLEAN SURFACE . DO NOT USE DETERGENT OR CHEMICAL. AVOID DAMP AND DIRECT SUNLIGHT.

STEP 1	CHECK YOUR HARDWARE	8988	STEP 5		STEP 9		STEP 10	
	DOOR STOPPER	1 PC		SCREW M3.5 X 16	2 PCS		CORNER BLOCK	8 PCS
	SCREW M3 X 20	8 PCS		SCREW M3.5 X 14	32 PCS		WOOD DOWEL M8 X 25	24 PCS
	EURO BOLT	18 PCS		HOUSING D:15/12.5MM	18 PCS		PAN HEAD SCREW #6 X 22	4 PCS
	WEBBING	1 PCS		ALLEN KEY	1 PCS		SHELF ADHESIVE STOPPER	4 PCS
	LEG STUD	6 PCS		JCBC SCREW M6 X 40	4 PCS		HINGES	8 SETS
	HANDLE	2 PCS		EPOXY PIPE	1 PC			
TOOLS REQUIRED								
	SCREW DRIVER		HAMMER					
STEP 2			STEP 7			STEP 11		
	WOOD DOWEL M8 X 25	DETAIL A				PAN HEAD SCREW #6 X 22	DETAIL A	SCREW M3.5 X 14
STEP 3			STEP 8			STEP 12		
	EURO BOLT	DETAIL A		LEG STUD	DETAIL B	WEBBING	DETAIL A	SCREW M3.5 X 16
STEP 4				HOUSING D:15/12.5MM	DETAIL A			
	SCREW M3.5 X 16	DETAIL A			TURN TO LOCK			