

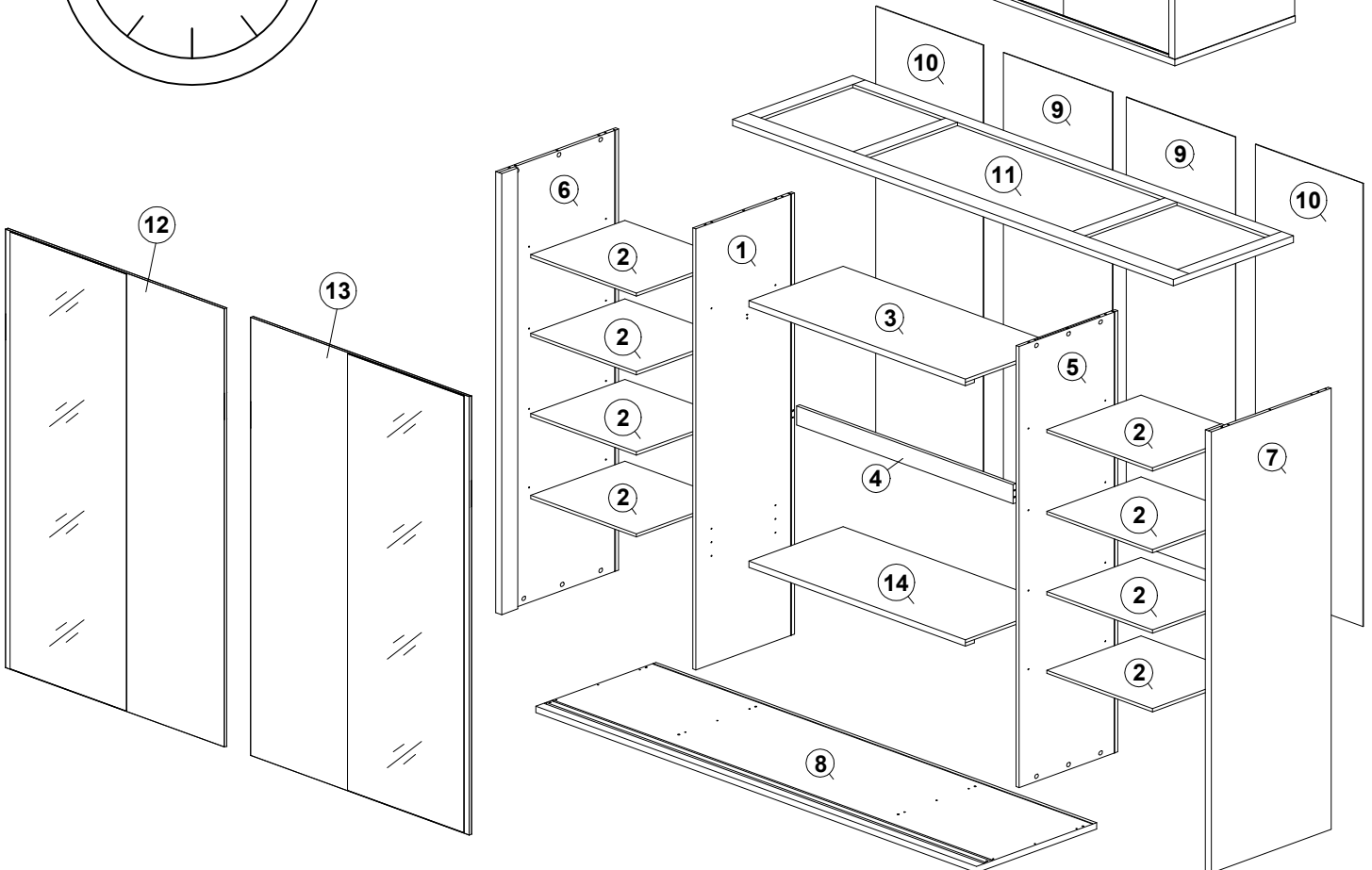
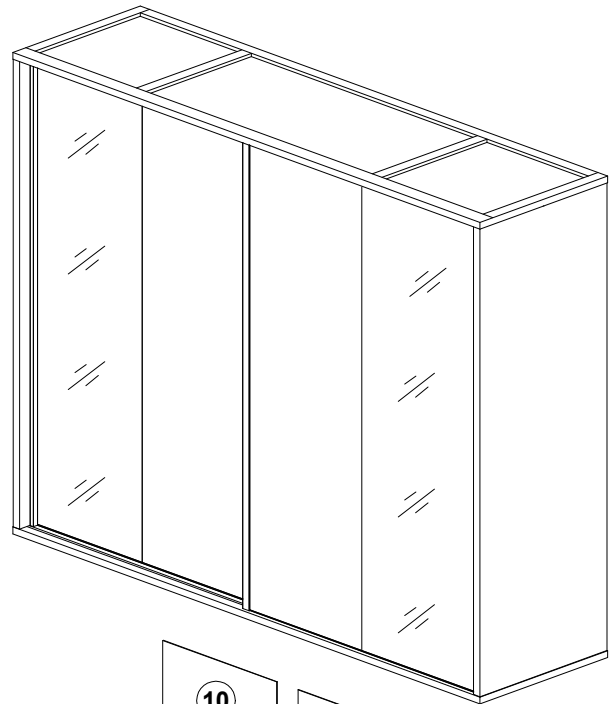
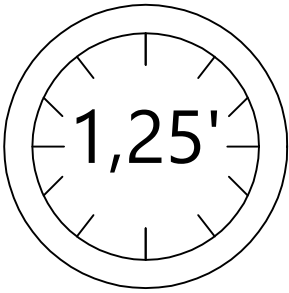
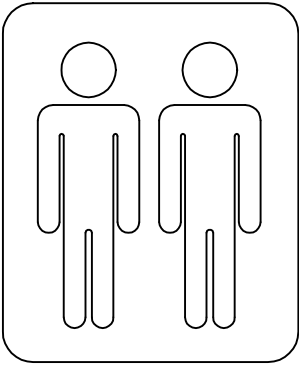
OOSTERLYNCK N.V.  
FURNITURE

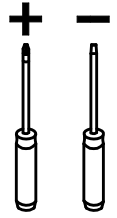
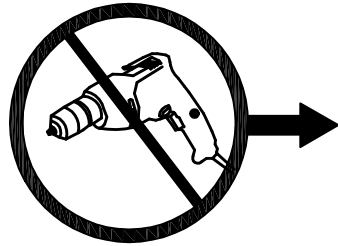
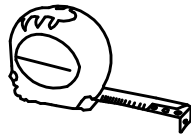
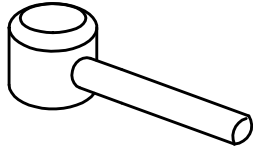
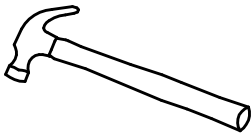
# ELVIRA

2.4 Kleerkast  
Armoire 2D/P  
2 Door Wardrobe  
With 2 Mirrors



## WR 80293-2M-AR-E1-S5V





#### ALGEMENE ONDERHOUDSVOORSCHRIFTEN :

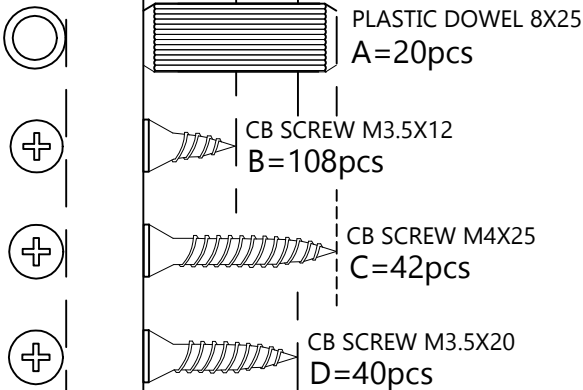
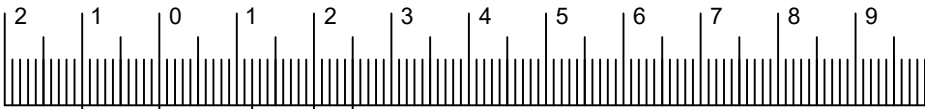
Om de tafelbladen te beschermen mogen geen hete pannen, kaarsen of andere hete glazen op het oppervlakte geplaatst worden, gebruik hiervoor een beschermende onderligger.  
 Reinigen van oppervlaktes : met licht vochtige doek of zeemvel reinigen en direct droog wrijven. Zeker geen vocht laten staan op de oppervlaktes. Gebruik van ruwe materialen zoals schuurpons, schuurmiddelen, chemische producten zoals verdunners ammoniak of boenwas zijn niet toegelaten. Ook geen siliconen houdende producten aanwenden zoals pledge enz.  
 Garantie : Indien bovenstaande voorschriften niet gevolgd worden vervalt de garantie.

#### INFORMATION GENERALE D'ENTRETIEN :

Pour la protection de la surface des tables et autres éviter de mettre des casseroles chaudes ainsi que des bougies ou verres chaudes (thé) sur la surface sans protection.  
 L'entretien des surfaces : Utilisez un chiffon légèrement humide et séchez aussitôt. Jamais laisser des liquides sur les surfaces, les meubles ne sont pas adaptés pour un emplacement dans des pièces humides. Des éponges abrasives, tout produits chimiques : ammoniac, détergent, diluent; ou cirage et produits d'entretien comme Pledge sont interdit. Garantie : La garantie expire si les prescriptions d'entretien générale ne sont pas respecter.

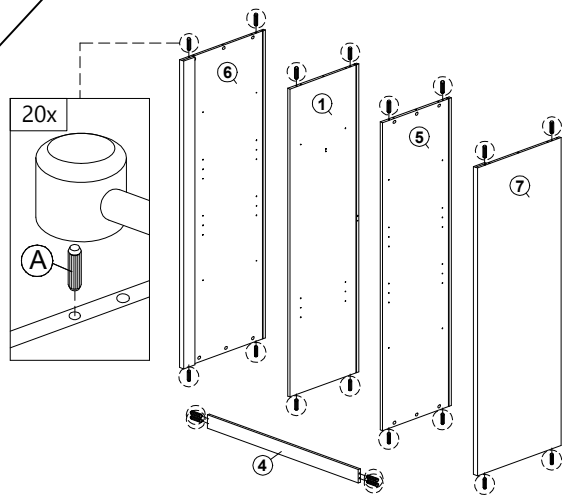
#### MAINTENANCE PRESCRIPTIONS :


To protect the table tops never put hot items on these surfaces. Clean with a slightly wet cloth and wipe dry immediately. Never let water or other wet items on the table tops, this furniture is not suitable for wet locations. Do not use solvent, thinner, or other chemical products to clean.  
 Warranty : Expires if above prescriptions are not respected.



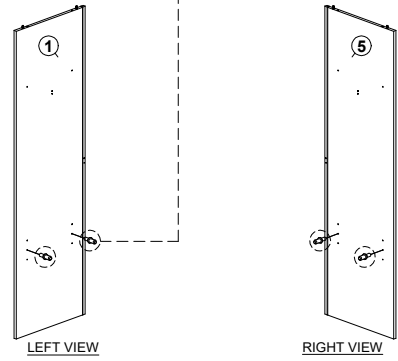
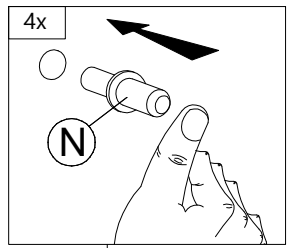
|   |  |   |  |   |  |
|---|--|---|--|---|--|
| <br>V-BRACKET<br>2pcs                                   | <br>PYRAMID<br>ANGLE<br>CORNER<br>BLOCK<br>16pcs | <br>PLASTIC<br>CORNER<br>BLOCK<br>12pcs | <br>'U' ALUMINIUM RAIL<br>(U 0939-AR) 2333MM<br>4pcs | <br>MINIFIX<br>5654<br>(HOUSING)<br>24pcs | <br>MINIFIX<br>5654<br>(SCREW)<br>24pcs    |
| <br>LF-19007<br>(HOUSING)<br>36pcs                      | <br>LF-19007<br>(SCREW)<br>36pcs                 | <br>CAP<br>24pcs                        | <br>ALLEN KEY<br>1pc                                 | <br>POWER<br>NAIL 5/8"<br>30pcs           | <br>METAL<br>SHELF<br>SUPPORT<br>4pcs      |
| <br>C163 PLASTIC<br>ROUND LEG<br>(H12MM)-BLACK<br>10pcs | <br>CHROME PIPE<br>(1135MM)<br>1pc               |   | <br>SLIDING DOOR GUIDE - 1139 ROLLER BLACK<br>8sets  |   | <br>DOOR PLASTIC RAIL<br>(2052MM)<br>2sets |
| <br>WASHER M4<br>32pcs                                  | <br>METAL BAR-8HOLE<br>(1835MM)<br>4pcs          |   |  |   |  |


# STEP 1



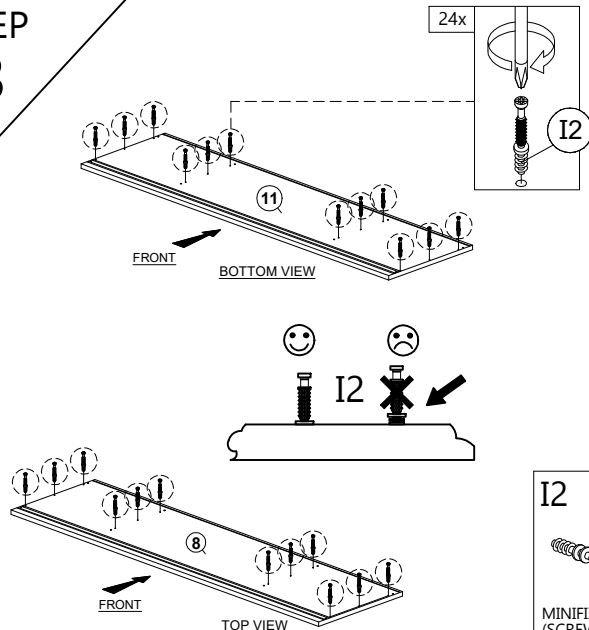
**A**  
  
 PLASTIC DOWEL M8X25  
 20pcs

# STEP 2



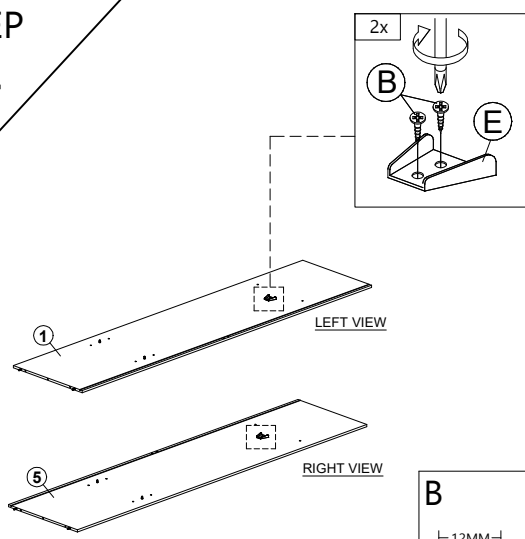
**N**  
  
 METAL SHELF SUPPORT  
 4pcs

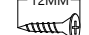
# STEP 3




**I2**  
  
 MINIFIX 5654 (SCREW)  
 24pcs

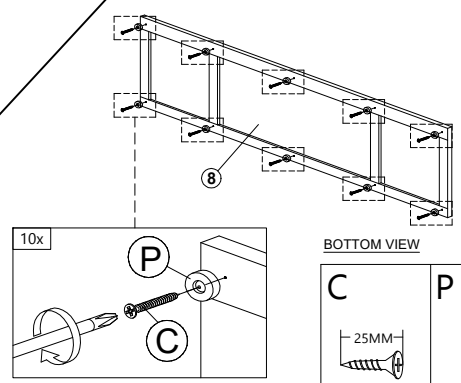
# STEP 4

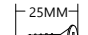


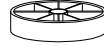
**B**  
  
 CB SCREW M3.5X12  
 4pcs

**E**  
  
 V-IRON BRACKET  
 2pcs

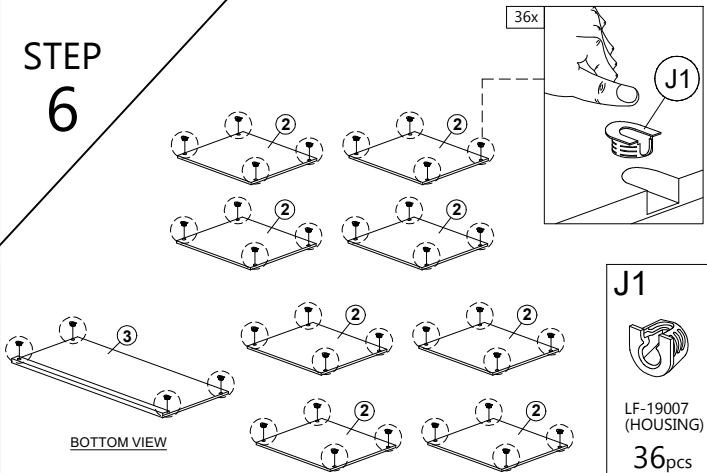
# STEP 5



**C**  
  
 CB SCREW M4X25  
 10pcs

**P**  
  
 C163 PLASTIC ROUND LEG (H12MM) - BLACK  
 10pcs

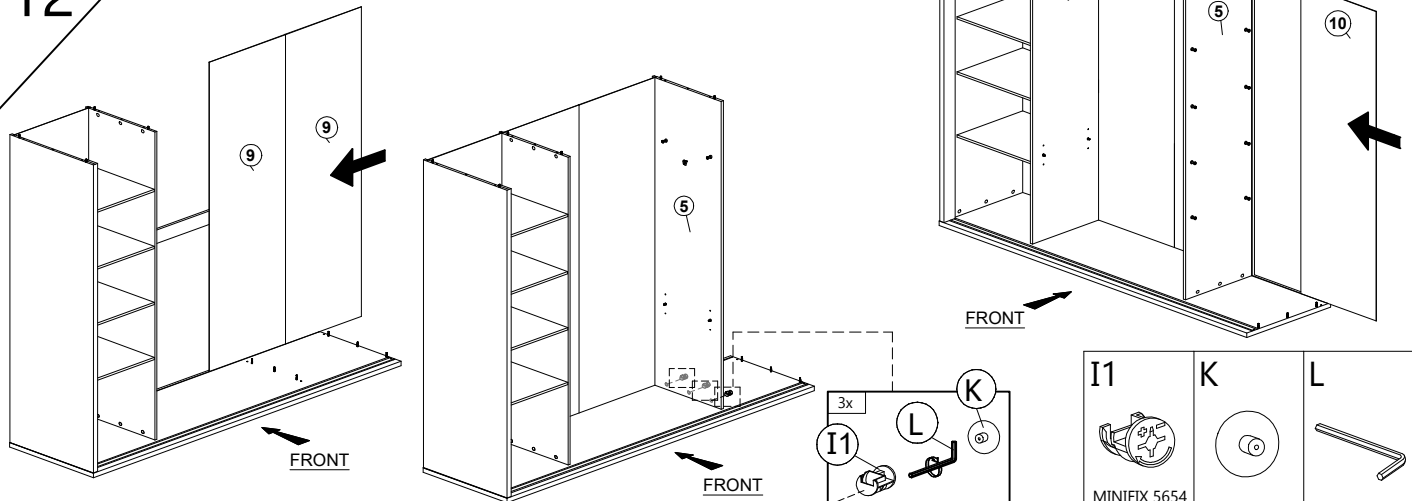
# STEP 6



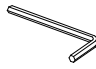


**J1**  
  
 LF-19007 (HOUSING)  
 36pcs

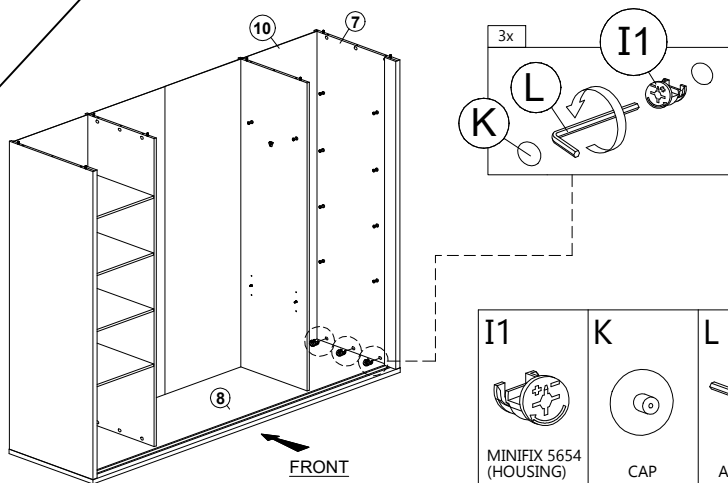




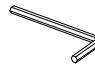
# STEP 12



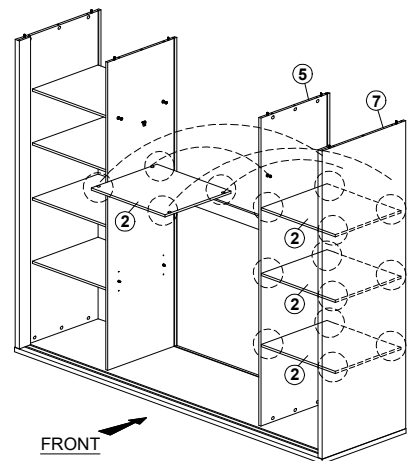
|   |   |  |
|---|---|--|
| <b>I1</b><br><br>MINIFIX 5654 (HOUSING)<br>3 pcs | <b>K</b><br><br>CAP<br>3 pcs | <b>L</b><br><br>ALLEN KEY<br>1 pc |
|---|---|--|

# STEP 13



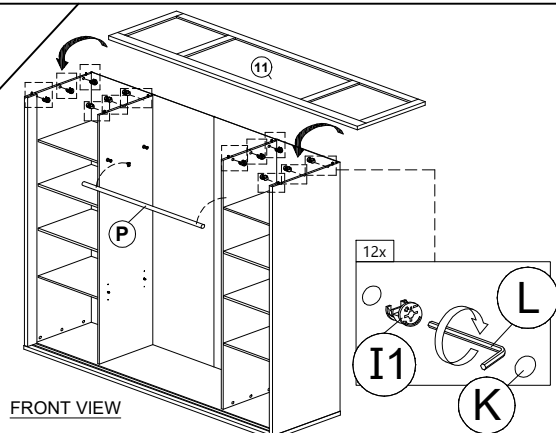
|   |   |  |
|---|---|--|
| <b>I1</b><br><br>MINIFIX 5654 (HOUSING)<br>3 pcs | <b>K</b><br><br>CAP<br>3 pcs | <b>L</b><br><br>ALLEN KEY<br>1 pc |
|---|---|--|

# STEP 14


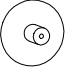

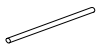


FRONT

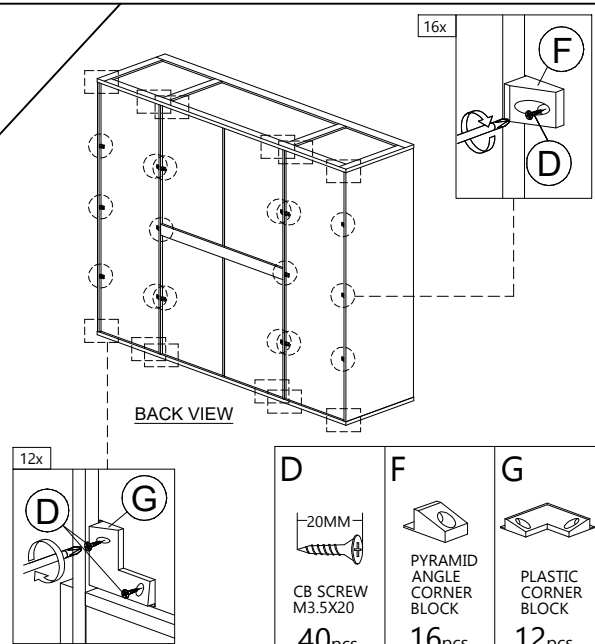
# STEP 15



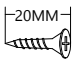


FRONT VIEW

|  |  |  |   |
|--|--|--|---|
| <b>I1</b><br><br>MINIFIX 5654 (HOUSING)<br>12 pcs | <b>K</b><br><br>CAP<br>12 pcs | <b>L</b><br><br>ALLEN KEY<br>1 pc | <b>P</b><br><br>CHROME PIPE (1135MM)<br>1 pc |
|--|--|--|---|

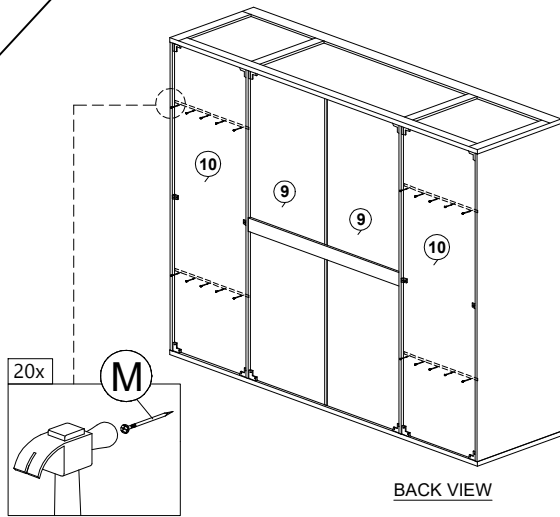
# STEP 16



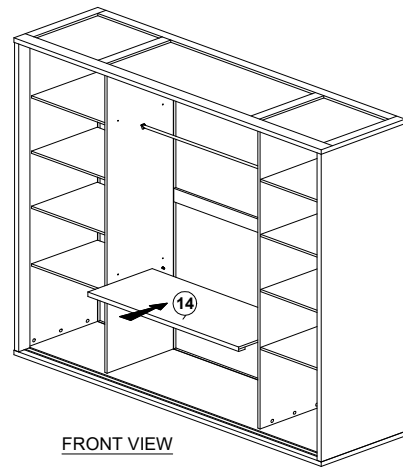
BACK VIEW

|   |   |   |
|---|---|---|
| <b>D</b><br><br>CB SCREW M3.5X20<br>40 pcs | <b>F</b><br><br>PYRAMID ANGLE CORNER BLOCK<br>16 pcs | <b>G</b><br><br>PLASTIC CORNER BLOCK<br>12 pcs |
|---|---|---|


# STEP 17



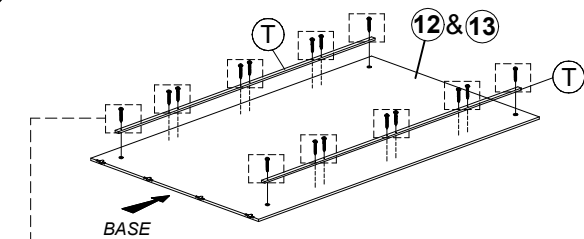
BACK VIEW



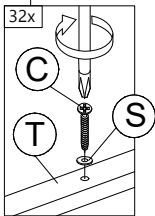
FRONT VIEW

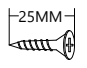
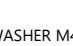

**M**  
  
 POWER NAIL 5/16"  
 20pcs

# STEP 18



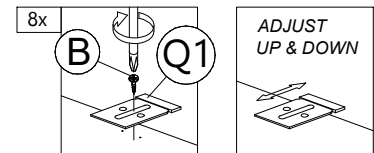
BASE




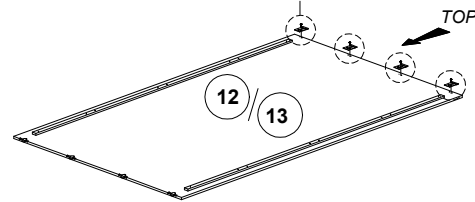
|   |   |  |
|---|---|--|
| <b>C</b><br><br>CB SCREW<br>M4X25<br>32pcs | <b>S</b><br><br>WASHER M4<br>32pcs | <b>T</b><br><br>METAL BAR- 8 HOLE<br>(1835MM)<br>4pcs |
|---|---|--|

# STEP 19

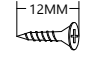

1. SCREW AT THE CENTER SLIDING DOOR GUIDE.
2. DO NOT FULLY TIGHTEN THE SCREW.
3. SO THAT, MAKE IT EASY TO ADJUST UP & DOWN.



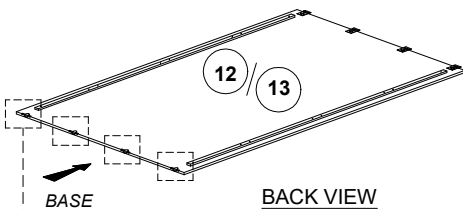
**ADJUST UP & DOWN**  




BACK VIEW

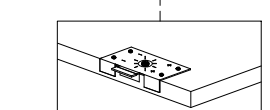
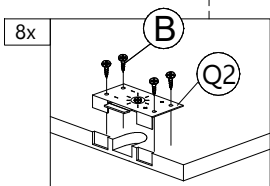
|  |   |
|--|---|
| <b>B</b><br><br>CB SCREW<br>M3.5X12<br>8pcs | <b>Q1</b><br><br>SLIDING DOOR GUIDE - 1139<br>ROLLER WHITE<br>8pcs |
|--|---|


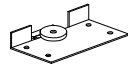
# STEP 20



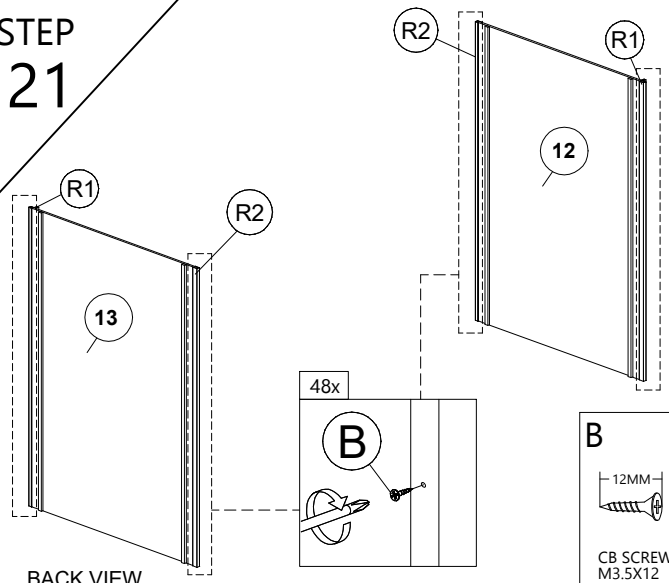
BASE

BACK VIEW

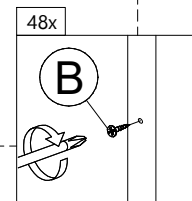


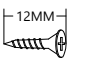
|   |   |
|---|---|
| <b>B</b><br><br>CB SCREW<br>M3.5X12<br>32pcs | <b>Q2</b><br><br>SLIDING DOOR GUIDE - 1139<br>ROLLER BLACK<br>8pcs |
|---|---|

# STEP 21



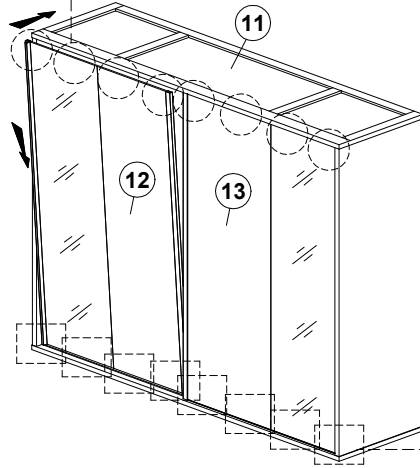
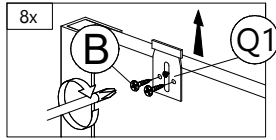
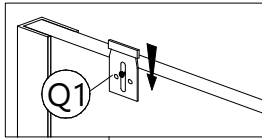
BACK VIEW



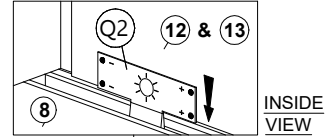
|   |
|---|
| <b>B</b><br><br>CB SCREW<br>M3.5X12<br>48pcs |
|---|

# STEP 22

- 1 PUSH DOWN THE SLIDING DOOR GUIDE
- 2 PUSH UP & INSERT THE SLIDING DOOR GUIDE INTO THE GROOVE AT PANEL (11)



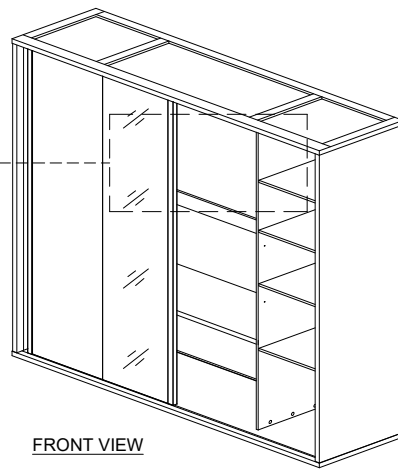
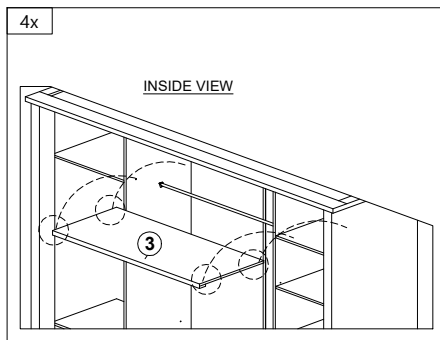
SLOT THE SLIDING DOOR GUIDE (Q2) INTO THE PLASTIC RAIL AT PANEL (8)



**B**

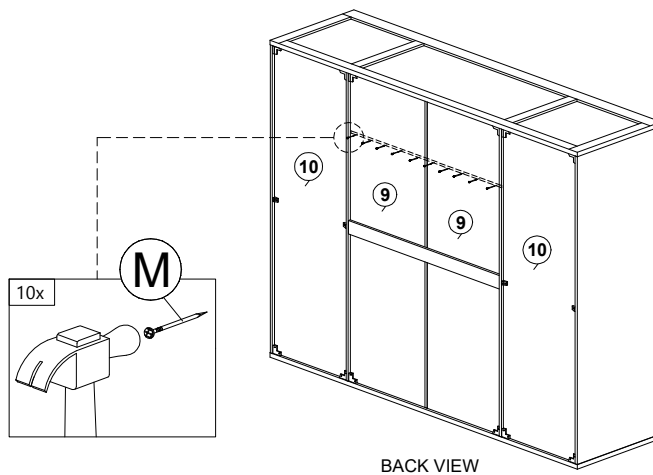
12MM  
CB SCREW  
M3.5X12  
16pcs

# STEP 23



FRONT VIEW

# STEP 24



**M**

POWER NAIL 5/8"  
10pcs