

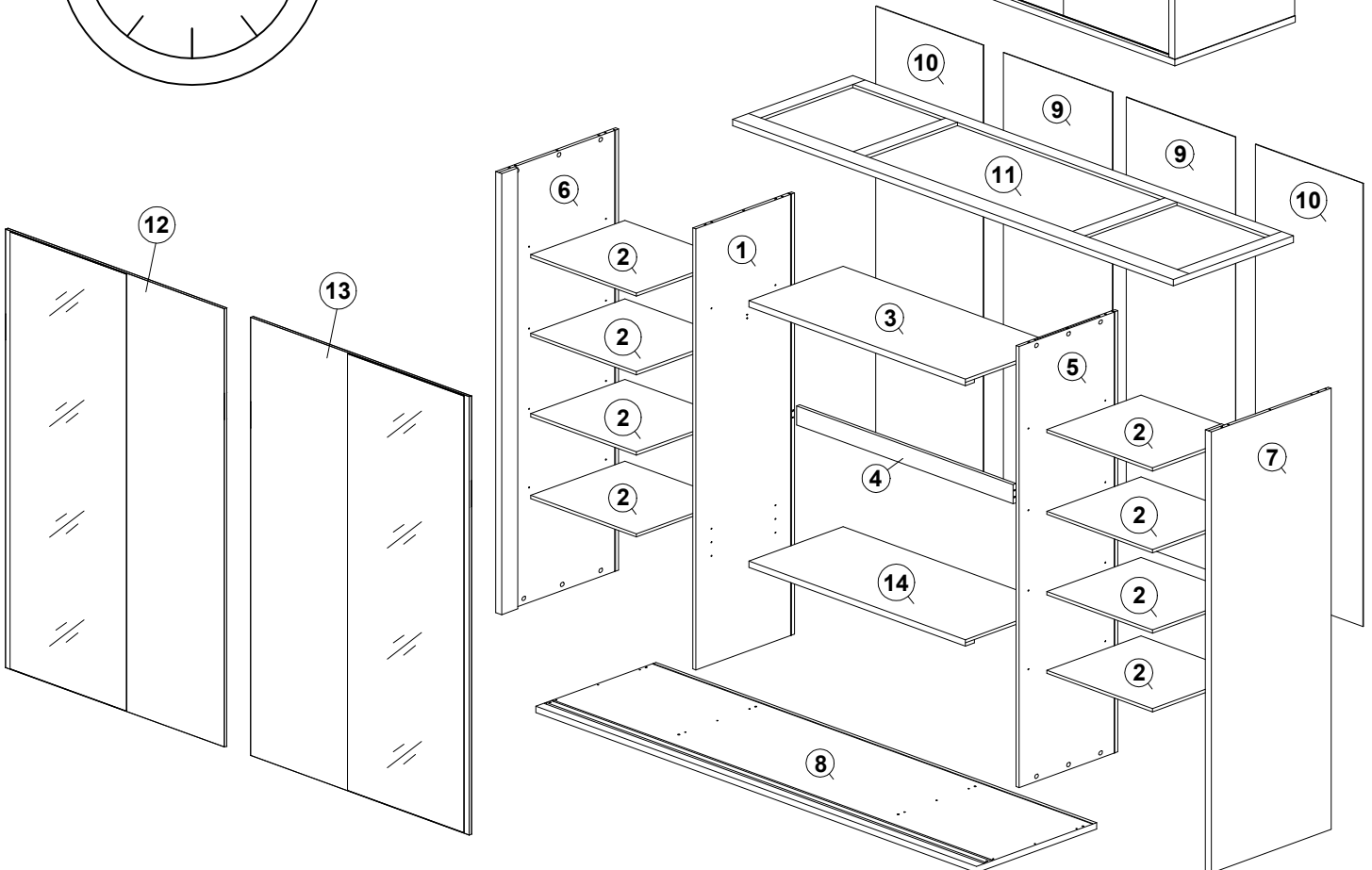
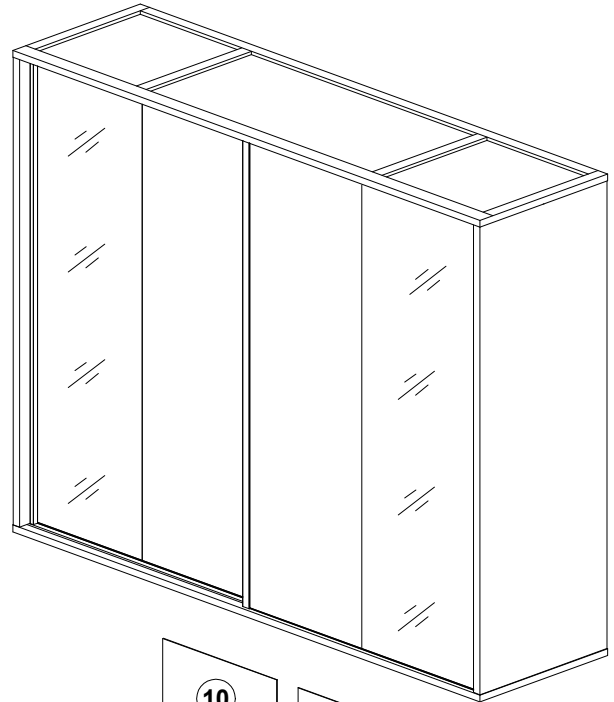
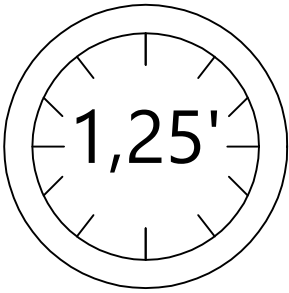
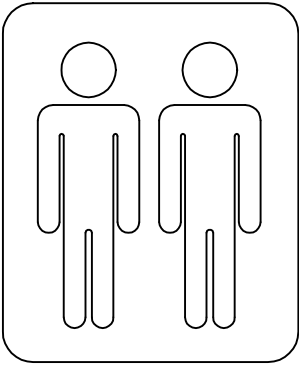
OOSTERLYNCK N.V.  
FURNITURE

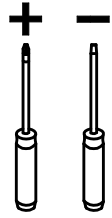
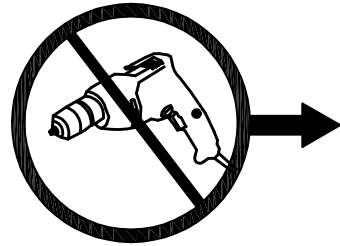
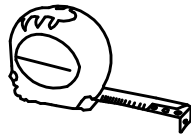
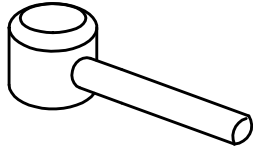
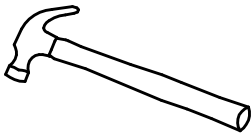
# ELVIRA

2.0 Kleerkast  
Armoire 2D/P  
2 Door Wardrobe  
With 2 Mirrors



## WR 80292-2M-AR-E1-S5V





#### ALGEMENE ONDERHOUDSVOORSCHRIFTEN :

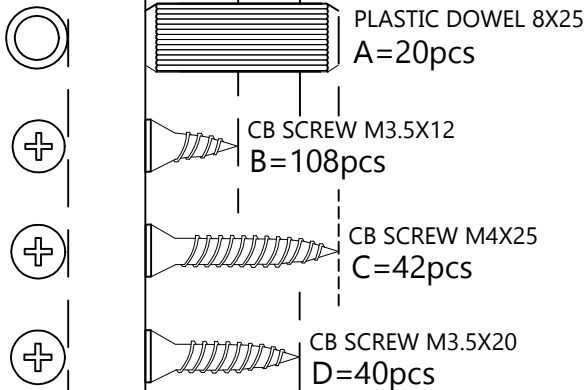
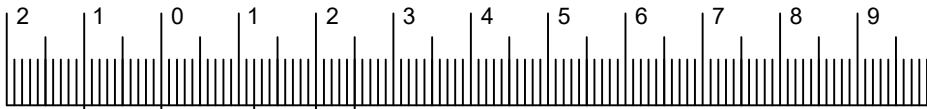
Om de tafelbladen te beschermen mogen geen hete pannen, kaarsen of andere hete glazen op het oppervlakte geplaatst worden, gebruik hiervoor een beschermende onderligger.  
 Reinigen van oppervlaktes : met licht vochtige doek of zeemvel reinigen en direct droog wrijven. Zeker geen vocht laten staan op de oppervlaktes. Gebruik van ruwe materialen zoals schuurpons, schuurmiddelen, chemische producten zoals verdunners ammoniak of boenwas zijn niet toegelaten. Ook geen siliconen houdende producten aanwenden zoals pledge enz.  
 Garantie : Indien bovenstaande voorschriften niet gevolgd worden vervalt de garantie.

#### INFORMATION GENERALE D'ENTRETIEN :

Pour la protection de la surface des tables et autres éviter de mettre des casseroles chaudes ainsi que des bougies ou verres chaudes (thé) sur la surface sans protection.  
 L'entretien des surfaces : Utilisez un chiffon légèrement humide et séchez aussitôt. Jamais laisser des liquides sur les surfaces, les meubles ne sont pas adaptés pour un emplacement dans des pièces humides. Des éponges abrasives, tout produits chimiques : ammoniac, détergent, diluent; ou cirage et produits d'entretien comme Pledge sont interdit. Garantie : La garantie expire si les prescriptions d'entretien générale ne sont pas respecter.

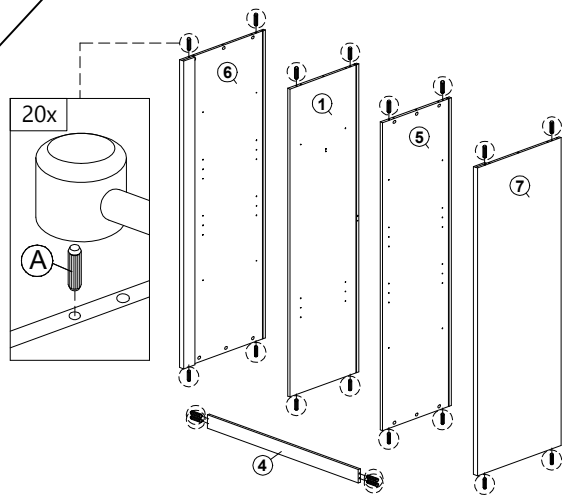
#### MAINTENANCE PRESCRIPTIONS :


To protect the table tops never put hot items on these surfaces. Clean with a slightly wet cloth and wipe dry immediately. Never let water or other wet items on the table tops, this furniture is not suitable for wet locations. Do not use solvent, thinner, or other chemical products to clean.  
 Warranty : Expires if above prescriptions are not respected.



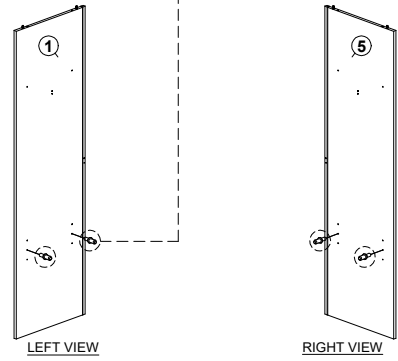
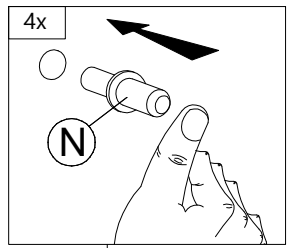
<b>E</b>  V-BRACKET 2pcs	<b>F</b>  PYRAMID ANGLE CORNER BLOCK 16pcs	<b>G</b>  PLASTIC CORNER BLOCK 12pcs	<b>H</b>  'U' ALUMINIUM RAIL (U 0939-AR) 1933MM 4pcs	<b>I1</b>  MINIFIX 5654 (HOUSING) 24pcs	<b>I2</b>  MINIFIX 5654 (SCREW) 24pcs	
<b>J1</b>  LF-19007 (HOUSING) 36pcs	<b>J2</b>  LF-19007 (SCREW) 36pcs	<b>K</b>  CAP 24pcs	<b>L</b>  ALLEN KEY 1pc	<b>M</b>  POWER NAIL 5/8" 30pcs	<b>N</b>  METAL SHELF SUPPORT 4pcs	<b>O</b>  C163 PLASTIC ROUND LEG (H12MM)-BLACK 10pcs
<b>P</b>  CHROME PIPE (875MM) 1pc	<b>Q</b>  SLIDING DOOR GUIDE - 1139 ROLLER BLACK 8sets		<b>R</b>  DOOR PLASTIC RAIL (2052MM) 2sets			
<b>S</b>  WASHER M4 32pcs	<b>T</b>  METAL BAR-8HOLE (1835MM) 4pcs					


# STEP 1



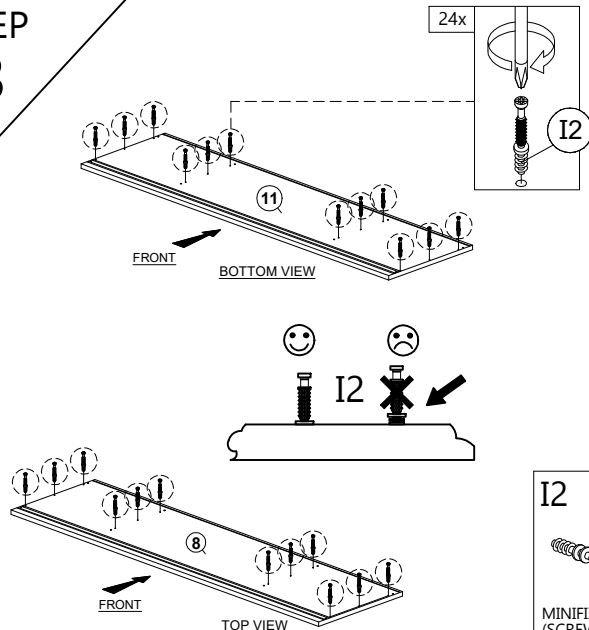
**A**  
  
 PLASTIC DOWEL M8X25  
 20pcs

# STEP 2



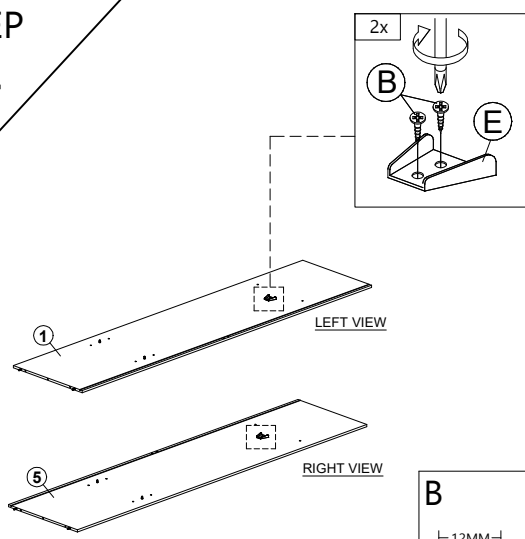
**N**  
  
 METAL SHELF SUPPORT  
 4pcs

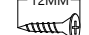
# STEP 3




**I2**  
  
 MINIFIX 5654 (SCREW)  
 24pcs

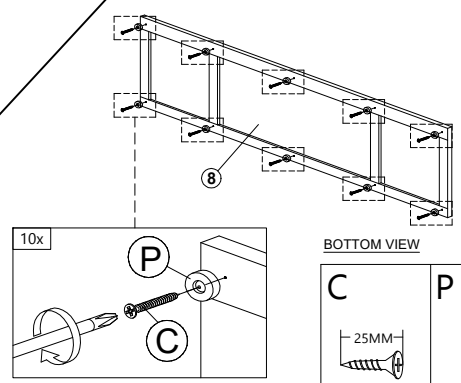
# STEP 4

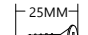


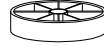
**B**  
  
 CB SCREW M3.5X12  
 4pcs

**E**  
  
 V-IRON BRACKET  
 2pcs

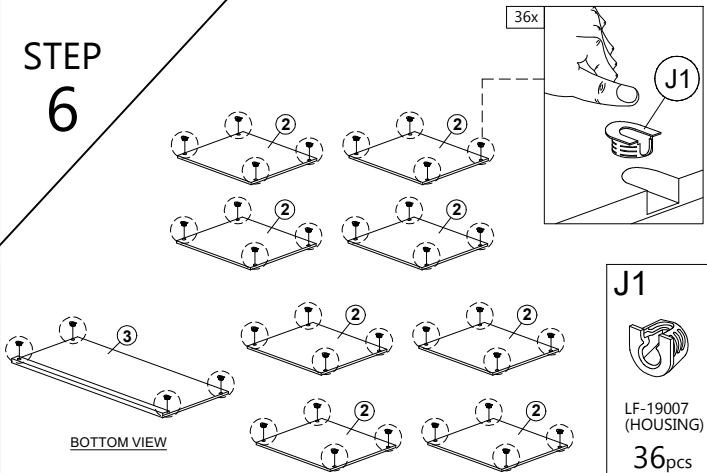
# STEP 5



**C**  
  
 CB SCREW M4X25  
 10pcs

**P**  
  
 C163 PLASTIC ROUND LEG (H12MM) - BLACK  
 10pcs

# STEP 6



**J1**  
  
 LF-19007 (HOUSING)  
 36pcs

### STEP 7

LEFT VIEW

J2

LF-19007 (SCREW)

18pcs

### STEP 8

RIGHT VIEW

J2

LF-19007 (SCREW)

18pcs

### STEP 9

FRONT

BOTTOM VIEW

FRONT

TOP VIEW

NOTICE

H

'U' ALUMINIUM RAIL (U 0939-AR) 1933MM

4pcs

### STEP 10

FRONT

FRONT

WHILE ASSEMBLING, PLEASE SUPPORT THE PANEL AS PER THE DIAGRAM.

I1

K

L

MINIFIX 5654 (HOUSING)

CAP

ALLEN KEY

3pcs

3pcs

1pc

### STEP 11

FRONT

FRONT

FRONT

I1

K

L

MINIFIX 5654 (HOUSING)

CAP

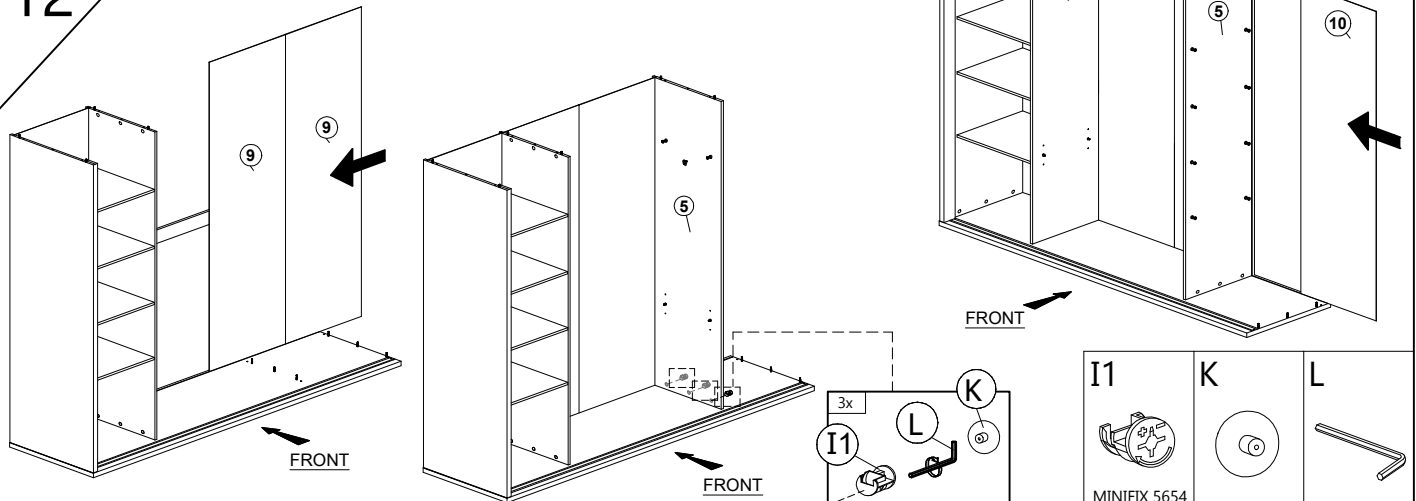
ALLEN KEY



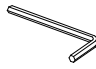
3pcs

3pcs

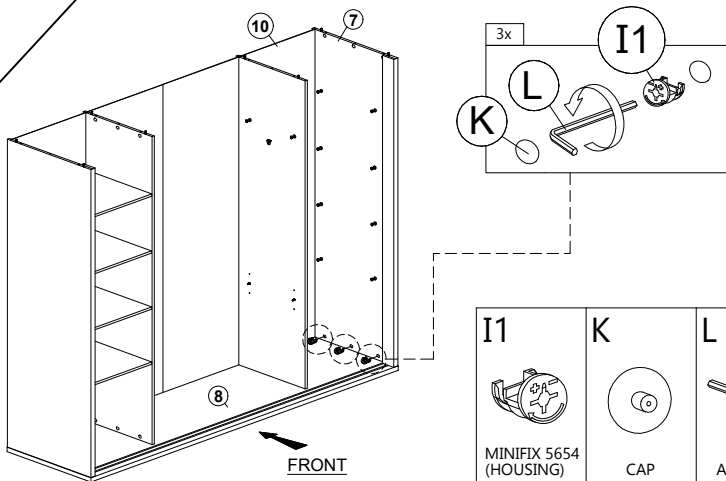
1pc



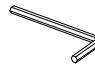
# STEP 12



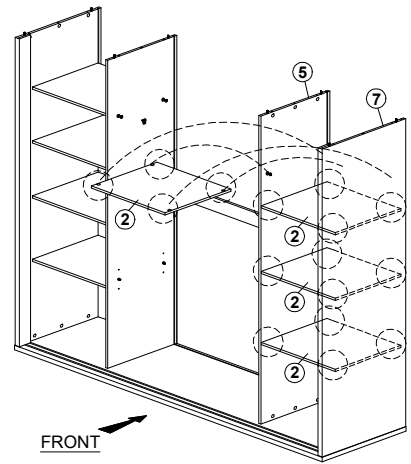
<b>I1</b>  MINIFIX 5654 (HOUSING) 3 pcs	<b>K</b>  CAP 3 pcs	<b>L</b>  ALLEN KEY 1 pc
---	---	--

# STEP 13



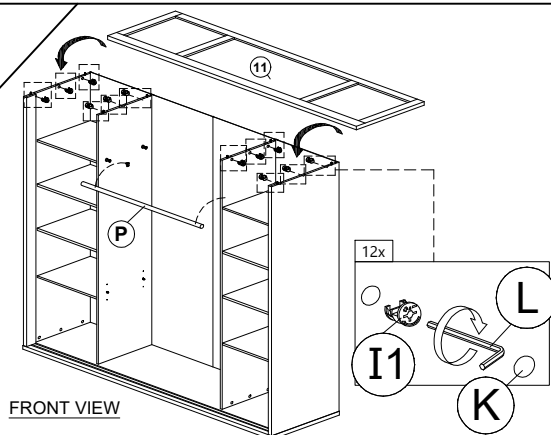
<b>I1</b>  MINIFIX 5654 (HOUSING) 3 pcs	<b>K</b>  CAP 3 pcs	<b>L</b>  ALLEN KEY 1 pc
---	---	--

# STEP 14



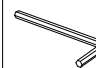
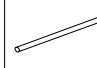


FRONT

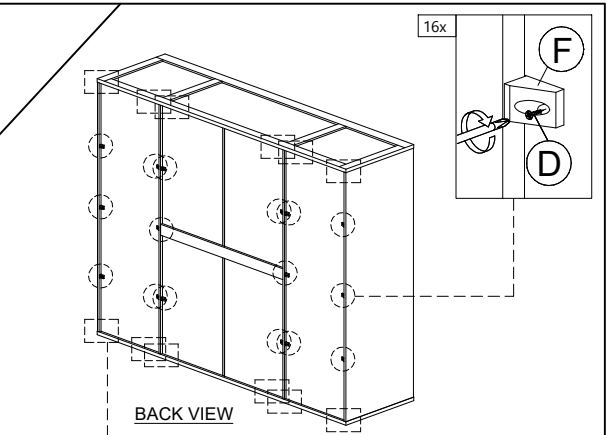
# STEP 15



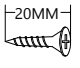

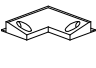
FRONT VIEW

<b>I1</b>  MINIFIX 5654 (HOUSING) 12 pcs	<b>K</b>  CAP 12 pcs	<b>L</b>  ALLEN KEY 1 pc	<b>P</b>  CHROME PIPE (875MM) 1 pc
--	--	--	--

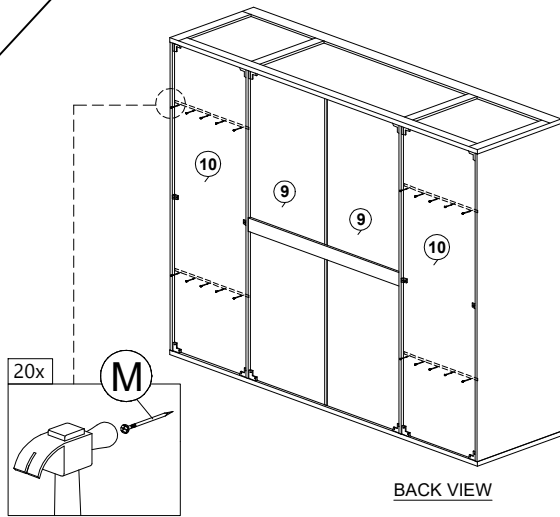
# STEP 16



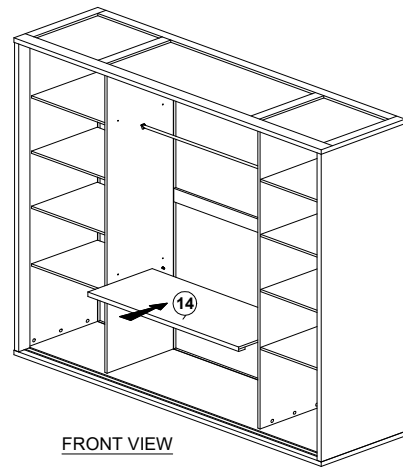
BACK VIEW

<b>D</b>  CB SCREW M3.5X20 40 pcs	<b>F</b>  PYRAMID ANGLE CORNER BLOCK 16 pcs	<b>G</b>  PLASTIC CORNER BLOCK 12 pcs
---	---	---

# STEP 17



BACK VIEW



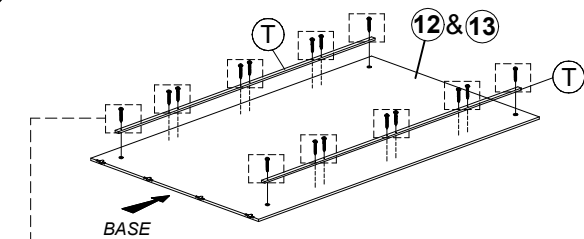
FRONT VIEW

**M**

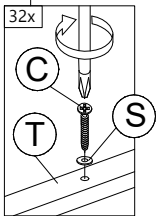
POWER NAIL 5/16"

20 pcs

# STEP 18



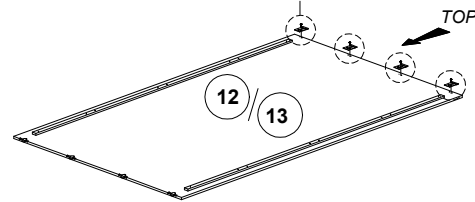
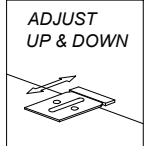
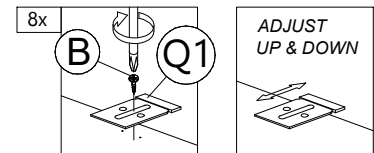
BASE



<b>C</b>	<b>S</b>	<b>T</b>
CB SCREW M4X25	WASHER M4	METAL BAR - 8 HOLE (1835MM)
32 pcs	32 pcs	4 pcs

# STEP 19

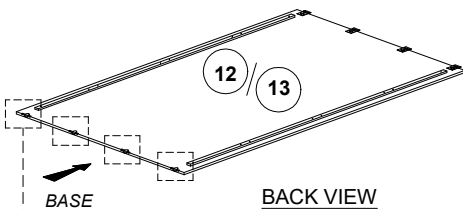
1. SCREW AT THE CENTER SLIDING DOOR GUIDE.
2. DO NOT FULLY TIGHTEN THE SCREW.
3. SO THAT, MAKE IT EASY TO ADJUST UP & DOWN.



BACK VIEW

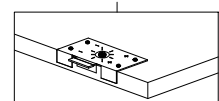
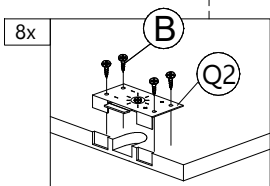
<b>B</b>	<b>Q1</b>
CB SCREW M3.5X12	SLIDING DOOR GUIDE - 1139 ROLLER WHITE
8 pcs	8 pcs

# STEP 20



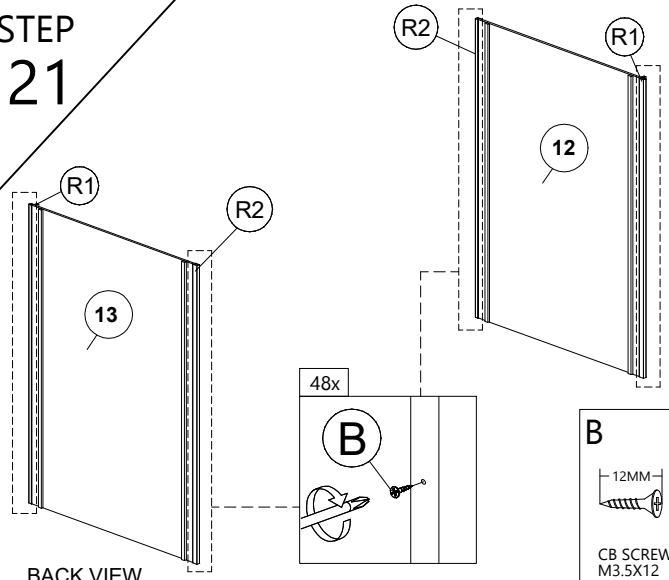
BASE

BACK VIEW

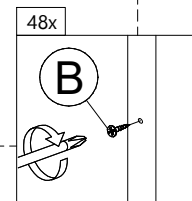


<b>B</b>	<b>Q2</b>
CB SCREW M3.5X12	SLIDING DOOR GUIDE - 1139 ROLLER BLACK
32 pcs	8 pcs

# STEP 21



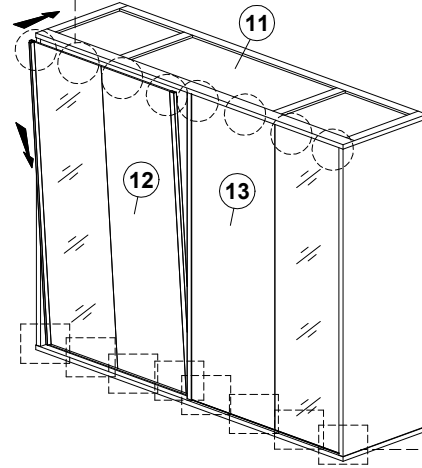
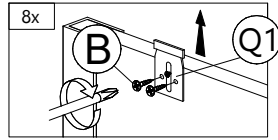
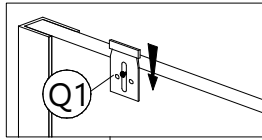
BACK VIEW



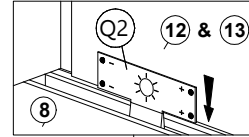
<b>B</b>
CB SCREW M3.5X12
48 pcs

# STEP 22

- 1 PUSH DOWN THE SLIDING DOOR GUIDE
- 2 PUSH UP & INSERT THE SLIDING DOOR GUIDE INTO THE GROOVE AT PANEL (11)



SLOT THE SLIDING DOOR GUIDE (Q2) INTO THE PLASTIC RAIL AT PANEL (8)

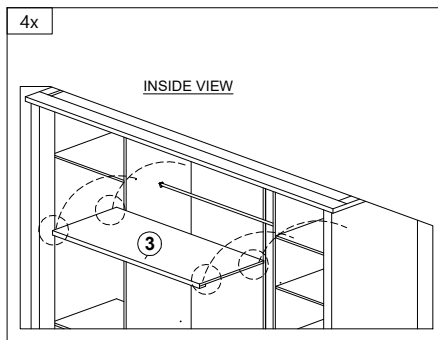


INSIDE VIEW

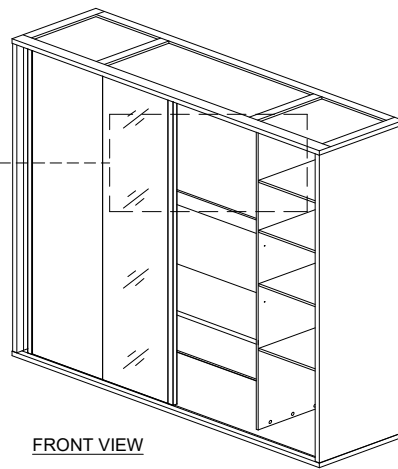
**B**

12MM  
CB SCREW  
M3.5X12  
16pcs

# STEP 23

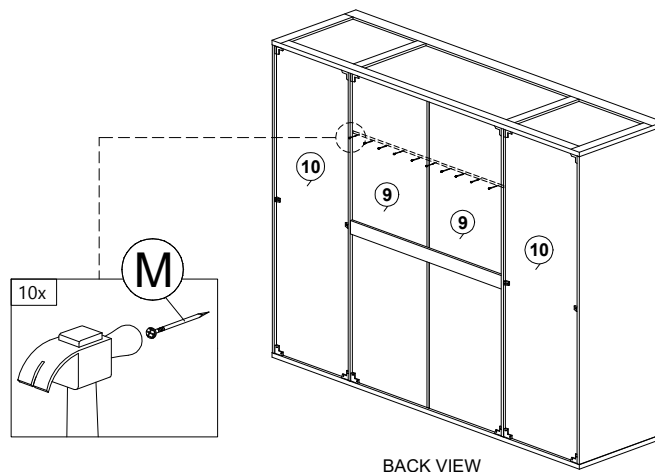


INSIDE VIEW



FRONT VIEW

# STEP 24



BACK VIEW

**M**

POWER NAIL 5/8"  
10pcs